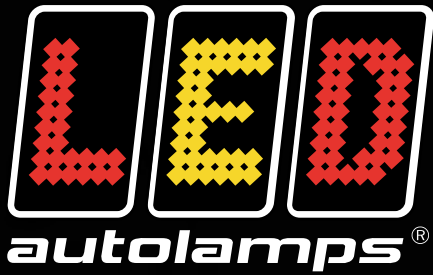




LED REAR LAMPS & MARKER LAMPS

www.ledautolamps-uk.com





Contact Us:

Tel: +44 (0)121 313 2222

Fax: +44 (0)121 313 2272

Email: sales@ledautolamps-uk.com

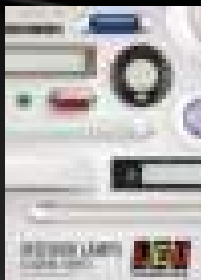
Trading hours: Mon–Fri, 8:30–17:00 (UK)

LED Autolamps Europe LLP
Unit 8J, Maybrook Business Park
Minworth, Sutton Coldfield
B76 1AL, United Kingdom

COMPLETE VEHICLE LIGHTING SOLUTIONS



WORK LAMPS



INTERIOR LAMPS



**EMERGENCY &
WARNING LIGHTING**



FORWARD LIGHTING

We are proud to offer the most comprehensive range of LED vehicle lighting in Europe. Suitable for all types of heavy-duty and commercial vehicles and equipment.

Completed by our ranges of Interior Lighting, Work Lamps, Emergency and Warning Lighting, and Cable Harness Systems – LED Autolamps offers a single source supply for all your CV lighting needs.

**CONTACT US FOR INFORMATION ON
OUR OTHER LED LIGHTING RANGES**

As further testimony to our commitment in achieving excellence across all aspects of the business, LED Autolamps are certified to ISO9001:2015, the internationally recognised Quality Management Standard.

This is our guarantee to you of exceptional customer service, unrivalled technical expertise and dedicated after sales care.

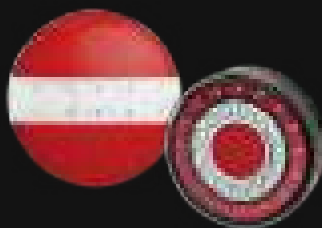


CATALOGUE CONTENTS

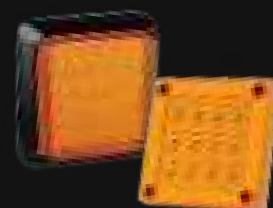
PRODUCT CATEGORIES



Compact Combination Lamps
p.001–011



Round Rear Lamps
p.012–019



Square Rear Lamps
p.011, 020–023



Slimline Rear Lamps
p.024–025



Multifunction Rear Trailer Lamps
p.026–029



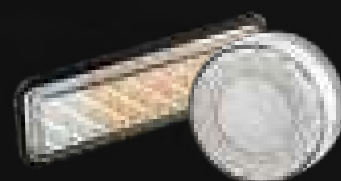
Rear Combination Lamps
p.030–045



Modular Rear Lamps
p.046–047



Rear Strip Lamps
p.048–050



Front Indicator / Marker Lamps
p.051–053



Reversing Work Lamps
p.054–055



Side Indicator Lamps
p.056–057



Marker Lamps
p.058–067



Number Plate Lamps
p.068–069



Speciality Lamps & Accessories
p.070–072



Wiring Accessories
p.073–075

“ LED AUTOLAMPS IS A LEADING MANUFACTURER OF AN EXTENSIVE RANGE OF EUROPEAN CERTIFIED COMMERCIAL VEHICLE LED LIGHTING SOLUTIONS ”

The company's commitment to research, development and innovative product design has firmly placed LED Autolamps as one of the industry's fastest growing companies specialising in LED commercial vehicle lighting.

Unsurpassed for quality and reliability, all LED Autolamps products come with extended warranties of either two, three, five or seven years – with lifetime guarantees offered on certain ranges. In addition, all of our products offer sealed for life electronics to protect against dirt and moisture ingress, and 12/24 volt versatility makes the product range perfect for a wide range of commercial, specialist, construction and agricultural vehicles.



“ DELIVERING EXCELLENCE THROUGHOUT EUROPE ”



LED Autolamps ist ein führender Hersteller von LED Beleuchtungsprodukten für den gewerblichen Bedarf. Unser umfangreiches Sortiment ist für den europäischen Markt konzipiert und zugelassen.

Unser innovatives Design, sowie unsere Forschungs- und Entwicklungsarbeit haben uns zu einer der am schnellsten wachsenden Firmen in unserer Industrie werden lassen. LED Autolamps ist nun ein etablierter Anbieter von LED Artikeln im europäischen Markt.

Die hervorragende Qualität und Zuverlässigkeit unserer Produkte bedeuten, dass alle Artikel mit 3 oder 5 Jahren oder sogar einer Lebenszeitgarantie angeboten werden. Alle unsere Produkte sind mit versiegelten Elektronikereinheiten ausgerüstet, die sie unempfindlich gegen Schmutz und Feuchtigkeit machen. Die Artikel können mit 12V oder 24V betrieben werden und sind daher im kommerziellen Fahrzeugbau, der Baufahrzeugindustrie sowie an Landmaschinen vielseitig einsetzbar.



LED Autolamps est l'un des principaux fabricants de solutions d'éclairage 100% LED certifiées CE pour véhicules industriels.

L'engagement de LED Autolamps en recherche et développement et à la conception de produits innovants a placé l'entreprise leader pour sa croissance sur le marché de l'éclairage LED.

Irréprochable au niveau de la qualité et de la fiabilité, tous les produits LED Autolamps bénéficient d'une garantie de 3, 5 ans ou à vie. De plus, tous nos produits scellés de manière étanche, permettent à l'électronique d'être protégée de l'humidité et de la saleté; enfin, nos produits bi-voltage (12/24V) peuvent être adaptés à tous types de véhicules (utilitaires, agricoles, industriels).



LED Autolamps jest wiodącym producentem i dostawcą szerokiej gamy oświetlenia LED dla pojazdów użytkowych, przyczep i naczep. Wszystkie nasze produkty posiadają europejskie certyfikaty i zostały zaprojektowane zgodnie z europejskimi standardami.

Zaangażowanie firmy w badania, rozwój oraz projektowanie innowacyjnych produktów sprawia, iż LED Autolamps jest jedną z najszybciej rozwijających się firm w sektorze oświetlenia pojazdów.

Niedoścignione pod względem jakości i niezawodności wszystkie produkty LED Autolamps posiadają 3 letnią, 5 letnią lub dożywotnią gwarancję. Ponadto wszystkie nasze produkty posiadają podwójne napięcie 12V/24V i układ elektryczny całkowicie zalany w żywicy, co chroni je przed zanieczyszczeniami i wilgocią. Sprawia to, iż nasze produkty znajdują zastosowanie zarówno w pojazdach użytkowych, specjalistycznych, budowlanych jak i rolniczych.



LED Autolamps is een toonaangevende producent van het meest uitgebreide pakket van Europees gecertificeerde voertuigverlichting op LED basis.

Constant onderzoek, ontwikkeling en met innovatieve productontwerpen maakt LED Autolamps tot een van de snelst groeiende bedrijven, gespecialiseerd in voertuigverlichting op LED basis.

Uitstekende kwaliteit en betrouwbaarheid van onze producten wordt gewaarborgd door een garantietermijn van 3 jaar, 5 jaar tot zelfs levenslang. Bovendien zijn alle producten bestand tegen vuil en vocht en werken op 12V en 24V. Het zeer veelzijdige programma van LED Autolamps wordt toegepast binnen de agrarische sector, wegbeheerbedrijven, truckservice bedrijven, carrosseriebouwers, trailerbouwers en bedrijfswageninrichters.



LED Autolamps es un fabricante líder de una amplia gama de soluciones de iluminación LED con certificación CE para vehículos comerciales.

La apuesta de la compañía por la investigación y desarrollo y por el diseño de productos innovadores ha establecido a LED Autolamps como una de las empresas de mayor crecimiento de la industria especializada en la iluminación de estado sólido para vehículos.

Con una calidad y fiabilidad inmejorables, todos los productos de LED Autolamps vienen con una garantía de 3 años, 5 años o de por vida. Además, todos nuestros productos contienen circuitos electrónicos sellados de por vida para protegerlos contra la suciedad y la humedad y la versatilidad de la tensión doble 12/24 hace que nuestra gama de productos se adecue a una amplia gama de vehículos comerciales, especiales, de obra y agrícolas.



LED Autolamps è leader nella produzione di soluzioni d'illuminazione a LED per una vasta gamma di veicoli commerciali europei certificati.

L'impegno della società in ricerca, sviluppo e progettazione di prodotti innovativi ha saldamente collocato LED Autolamps come una delle aziende in più rapida crescita fra quelle del settore.

Insuperabile per qualità e affidabilità, tutti i prodotti LED Autolamps sono dotati di garanzia a due, tre o cinque anni, alcuni articoli sono dotati di garanzia a vita. Inoltre, tutti i nostri prodotti offrono sigillato per protezione vita, protezione contro lo sporco e l'ingresso umidità e la versatilità di 12/24 volt rendono la gamma dei prodotti ideale per una vasta scelta di veicoli commerciali, specialistici, di costruzione e agricoli.

CLICK & STICK

MOUNTING SYSTEM

- Simple Installation
- Super Strong Fixing



Step 1
Drill mounting holes



Step 2
Peel back 3M™ tape



Step 3
Push firmly to click
and stick into place

⚡ NO SCREWS, NO RIVETS,
NO SPECIALIST TOOLS ⚡

The LED Autolamps **CLICK & STICK** mounting system utilises specially designed serrated plugs and high-strength 3M™ adhesive tape to create a **secure, screw-less fastening** – simplifying the mounting process and **streamlining installation**.

The injection moulded plugs create a tight grip around the drill holes, while the 3M™ tape permanently adheres the lamp to the vehicle body, creating an **incredibly strong bond** which spreads the fixture across the entire body of the lamp for **maximum hold** and **reduced vibration**.

The **CLICK & STICK** mounting system is available on the following lamp series:

DOGBONE SERIES
COMPACT COMBINATION LAMP



p.003



EU140 SERIES
LOW-PROFILE ROUND COMBINATION LAMPS



p.015



EU38 SERIES
LOW-PROFILE MARKER LAMPS



p.060



37 SERIES
MARKER LAMPS



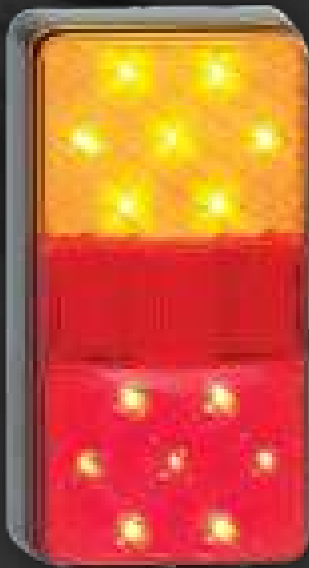
p.061



LED AUTOLAMPS INNOVATION

Guaranteed for life

Our 150 and 100 series compact combination lamps are designed, manufactured and tested to such a high level that we guarantee they will not fail for the lifetime of your vehicle



Sealed-for-life electronics

Encased in a specially formulated polyester resin, the PCB is resistant to tearing, abrasion and heat



100% waterproof

Rated IP67 – fully resistant to water and dust ingress and submersible up to 1m – also fitted with marine industry standard tinned copper wire that resists corrosion and won't oxidise



Strong & durable

Designed in LED Autolamps' signature diamond pattern – these lenses are highly durable and built to withstand the tough working conditions of a commercial vehicle



DESIGNED, MANUFACTURED AND GUARANTEED FOR HARD WORKING VEHICLES



100 & 150 SERIES COMPACT COMBINATION LAMPS



Voltage Range: 12V or 12/24V

Warranty: Lifetime

Ingress Protection: IP67

Approval: ECE & EMC ✓

•Signature diamond pattern lens

•Shock, water & dust proof

•Fully submersible up to 1m

•Harness system compatible

•2-pin accessory connection – compatible with 'plug & play' number plate lamps, see p.062–063



STOP / TAIL / INDICATOR / REFLECTOR

100BARE 12V

100BARE2 12V (Twin Pack)

100ARME 12/24V

100ARME 10 12/24V (w/ 10m Cable)

Current Draw (13.8V / 28V):

Stop: 0.15A / 0.12A, Tail: 0.07A / 0.06A, Indicator: 0.11A / 0.07A

STOP / TAIL / INDICATOR / REFLECTOR

150BARE 12V

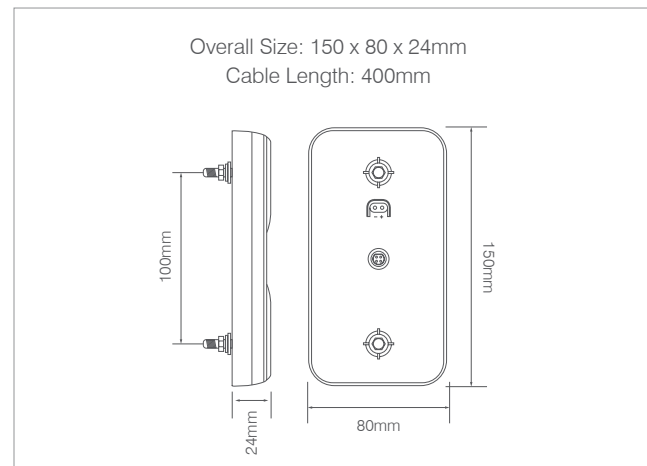
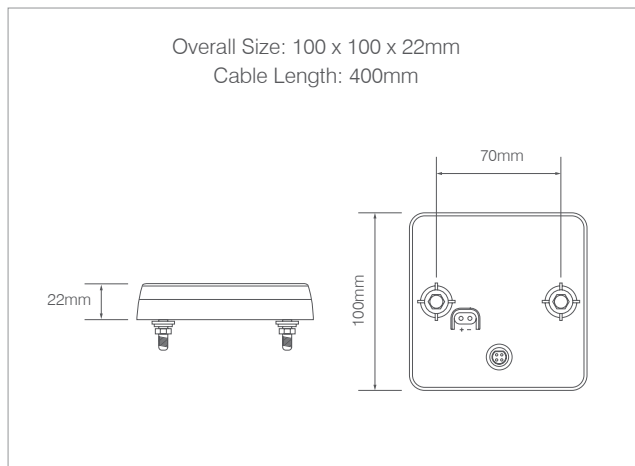
150BARE2 12V (Twin Pack)

150ARME 12/24V

150ARME 10 12/24V (w/ 10m Cable)

Current Draw (13.8V / 28V):

Stop: 0.15A / 0.12A, Tail: 0.07A / 0.06A, Indicator: 0.11A / 0.07A



COMPACT COMBINATION LAMPS

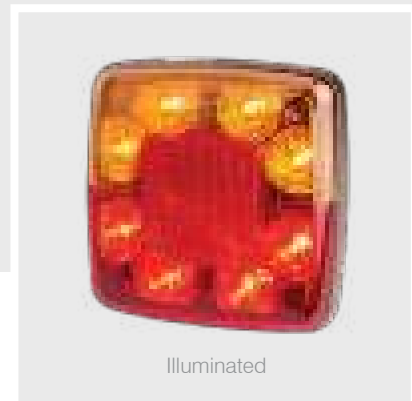
5 year
warranty

12V

IP67

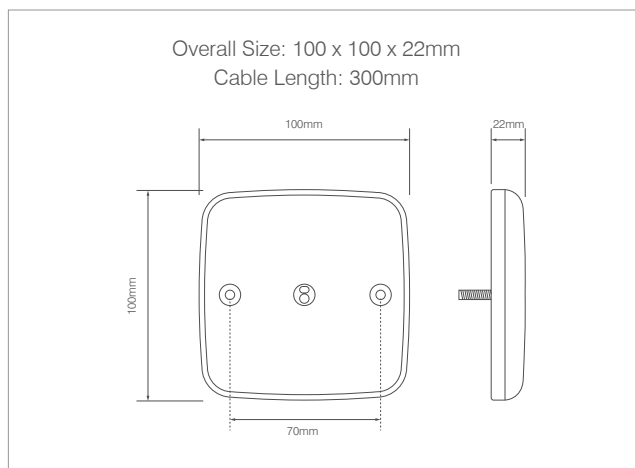
Voltage Range: 12V**Warranty:** 5 years**Ingress Protection:** IP67**Approval:** ECE & EMC ✓

- Exclusive LED Autolamps design
- Fully ECE approved
- Shock, water & dust proof
- Low current draw

**NEW****STOP / TAIL / INDICATOR / REFLECTOR****98BAR** 12V**98BAR2** 12V (Twin Pack)

Current Draw (13.8V / 28V):

Stop: 0.04A, Tail: 0.01A, Indicator: 0.03A



DOG BONE COMPACT COMBINATION LAMPS



Voltage Range: 12V

Warranty: 2 years

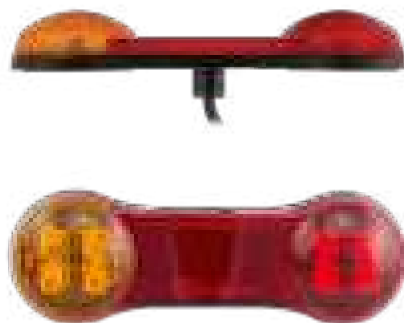
Ingress Protection: IP67

Approval: ECE & EMC ✓

- Unique 'dog-bone' shape
- Exclusive LED Autolamps design
- Horizontal or vertical mounting
- Shock, water & dust proof
- Low current draw

CLICK & STICK MOUNTING SYSTEM

See p. iv-v for more information



NEW

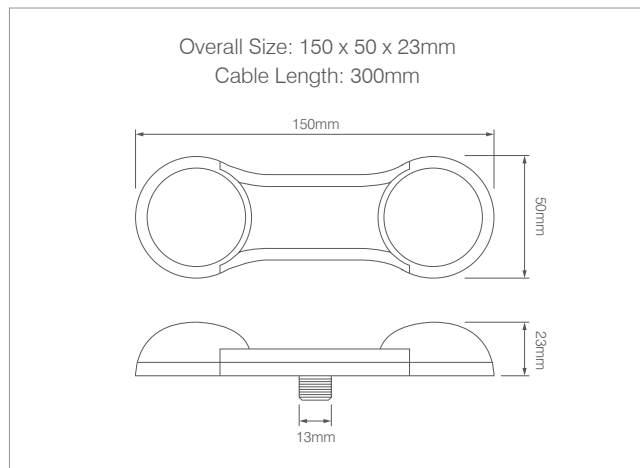
STOP / TAIL / INDICATOR / REFLECTOR

DB 12V

DB2 12V (Twin Pack)

Current Draw (13.8V / 28V):

Stop: 0.07A, Tail: 0.01A, Indicator: 0.06A





Voltage Range: 12V

Warranty: 3 years

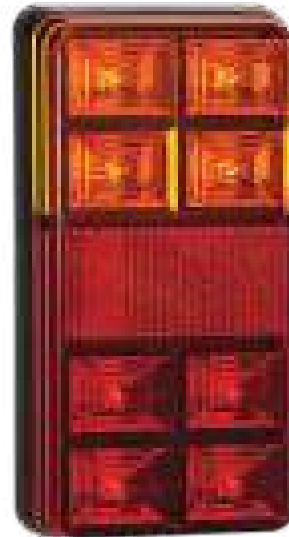
Ingress Protection: IP67

Approval: ECE & EMC ✓

• Shock, water & dust proof

• Low current draw

• Perfect for small trailers



STOP / TAIL / INDICATOR / REFLECTOR

101BAR

101BAR2 Twin Pack

Current Draw (13.8V):

Stop: 0.08A, Tail: 0.01A, Indicator: 0.07A

STOP / TAIL / INDICATOR / REFLECTOR

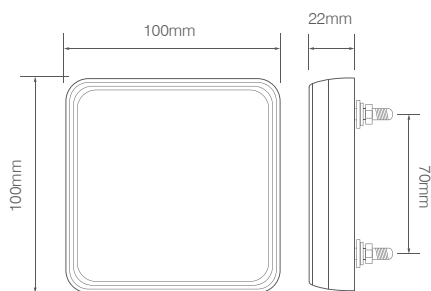
151BAR

151BAR2 Twin Pack

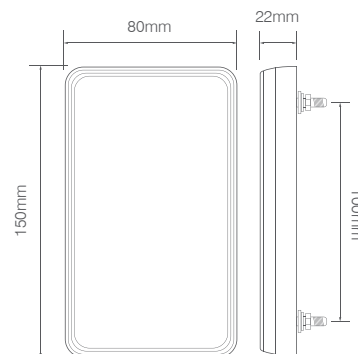
Current Draw (13.8V):

Stop: 0.08A, Tail: 0.01A, Indicator: 0.07A

Overall Size: 100 x 100 x 22mm
Cable Length: 400mm



Overall Size: 150 x 80 x 22mm
Cable Length: 400mm



99 & 149 SERIES COMPACT COMBINATION LAMPS



Voltage Range: 12V or 12/24V
Warranty: 3 years
Ingress Protection: IP67
Approval: ECE & EMC ✓

- Shock, water & dust proof
 - Optional integrated number plate lamp
 - Low current draw
 - 149 series: vertical or horizontal mounting
- NEW** 12/24V multivolt 99 series now available



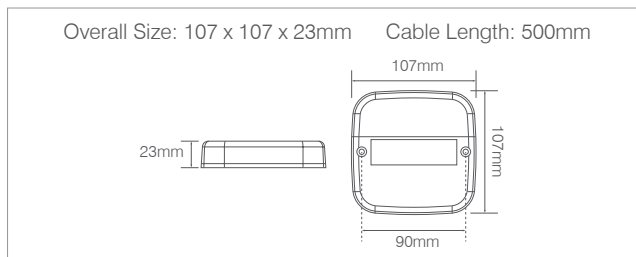
STOP / TAIL / INDICATOR / REFLECTOR

- 99AR** 12V
- 99AR2** 12V – Twin Pack (2x 99AR)
- 99ARM** 12/24V **NEW**

STOP / TAIL / INDICATOR / REFLECTOR WITH NUMBER PLATE LAMP

- 99ARL** 12V
- 99ARL2** 12V – Twin Pack (1x 99AR, 1x 99ARL)
- 99ARLL2** 12V – Twin Pack (2x 99ARL)
- 99ARLM** 12/24V **NEW**

Current Draw (13.8V / 28V):
 Stop: 0.07A / 0.05A, Tail/Number Plate: 0.05A / 0.05A,
 Indicator: 0.08A / 0.05A



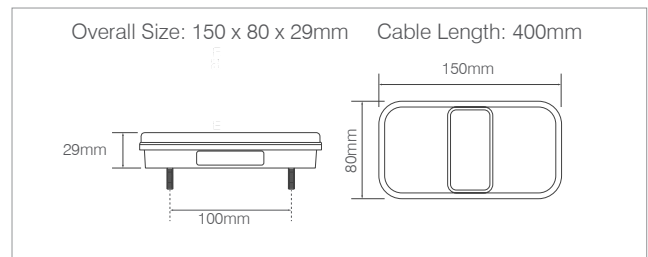
STOP / TAIL / INDICATOR / REFLECTOR

- 149BAR** 12V

STOP / TAIL / INDICATOR / REFLECTOR WITH NUMBER PLATE LAMP

- 149BARLP** 12V
- 149BARLP2** 12V – Twin Pack (1x 149BAR, 1x 149BARLP)

Current Draw (13.8V):
 Stop: 0.07A, Tail/Number Plate: 0.05A, Indicator: 0.08A



COMPACT COMBINATION LAMPS

**Voltage Range:** 12/24V**Warranty:** 5 years**Ingress Protection:** IP67**Approval:** ECE & EMC ✓

• Classic square lamp design

• Surface mount bracket

• Available in black or chrome

• Shock, water & dust proof

• Replacement brackets available;
Black: 80B1B, 100B1B,
Chrome: 80B1C, 100B1C

STOP / TAIL / INDICATOR

80BSTIME Black**80CSTIME** Chrome

Current Draw (13.8V / 28V):

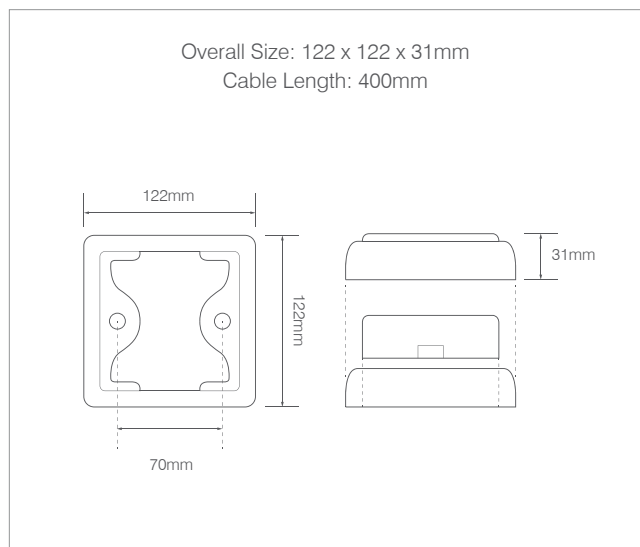
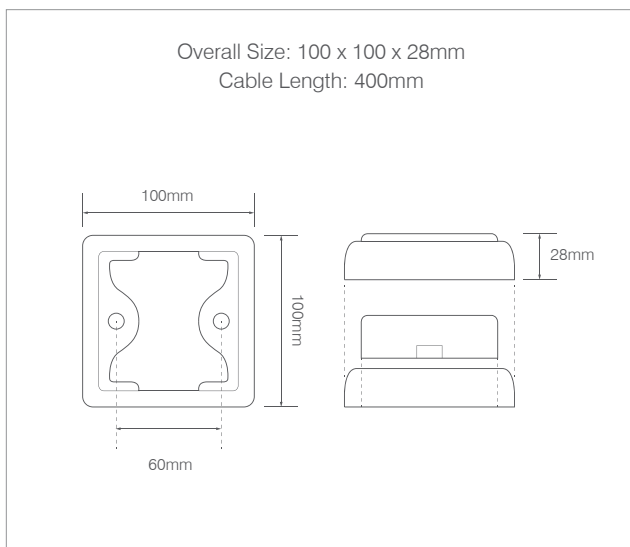
Stop: 0.27A / 0.13A, Tail: 0.04A / 0.04A, Indicator: 0.18A / 0.09A

STOP / TAIL / INDICATOR

100BSTIME Black**100CSTIME** Chrome

Current Draw (13.8V / 28V):

Stop: 0.27A / 0.13A, Tail: 0.04A / 0.04A, Indicator: 0.18A / 0.09A



200 SERIES SLIMLINE COMPACT COMBINATION LAMPS



Voltage Range: 12/24V

Warranty: 5 years

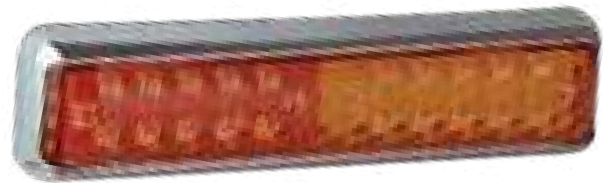
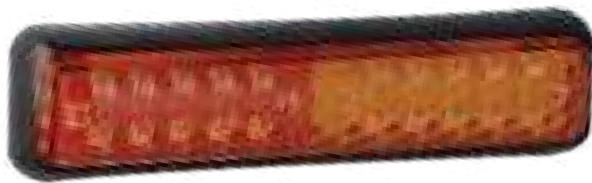
Ingress Protection: IP67

Approval: ECE & EMC ✓

- Slimline design
- Surface mount bracket
- Available in black or chrome
- Shock, water & dust proof

200BIRSTME:

- Our most compact 4-function lamp
- 36x high-powered LEDs



STOP / TAIL / INDICATOR

200BSTIME Black

Current Draw (13.8V / 28V):

Stop: 0.29A / 0.16A, Tail: 0.09A / 0.07A, Indicator: 0.19A / 0.07A

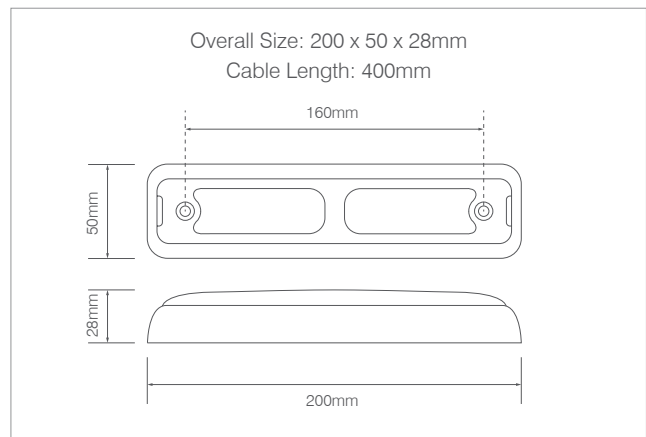
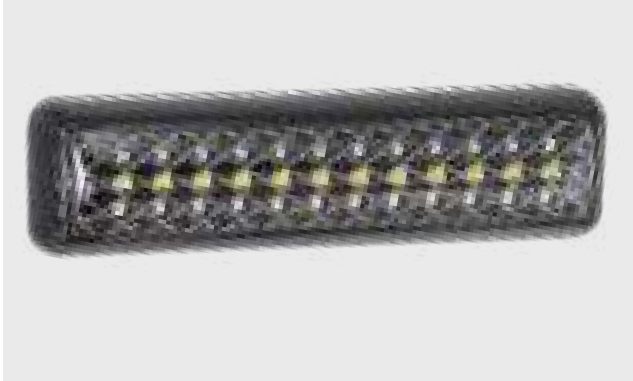
STOP / TAIL / INDICATOR

200CSTIME Chrome

Current Draw (13.8V / 28V):

Stop: 0.29A / 0.16A, Tail: 0.09A / 0.07A, Indicator: 0.19A / 0.07A

4-FUNCTION COMBINATION LAMP



STOP / TAIL / INDICATOR / REVERSE

200BIRSTME Black

Current Draw (13.8V / 28V):

Stop: 0.2A / 0.11A, Tail: 0.02A / 0.02A, Indicator: 0.2A / 0.11A,

Reverse: 0.23A / 0.14A

REPLACEMENT BRACKETS

200B1B Black

200B1C Chrome



SLIMLINE COMPACT COMBINATION LAMPS



Voltage Range: 12/24V

Warranty: 5 years

Ingress Protection: IP67

Approval: ECE & EMC ✓

• Slimline design

• Highly durable

• Shock, water & dust proof

• Signature diamond pattern lens

• High-brightness LEDs

• Highly efficient – low current draw

• Available in surface or recess mount



STOP / TAIL / INDICATOR

135ARME Surface Mount Bracket

Current Draw (13.8V / 28V):

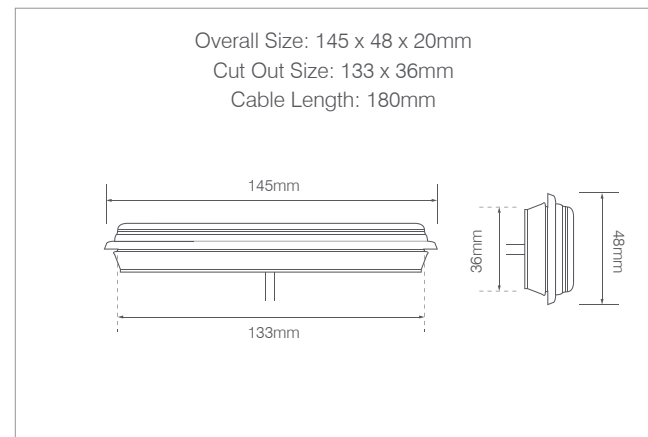
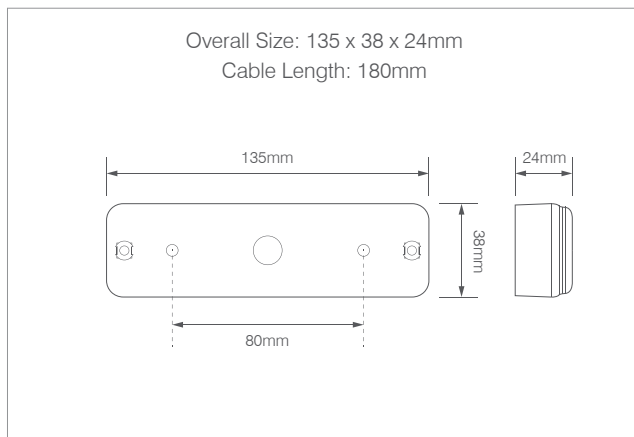
Stop: 0.07A / 0.08A, Tail: 0.02A / 0.02A, Indicator: 0.19A / 0.11A

STOP / TAIL / INDICATOR

135ARMGE Recess Mount Grommet

Current Draw (13.8V / 28V):

Stop: 0.07A / 0.08A, Tail: 0.02A / 0.02A, Indicator: 0.19A / 0.11A



REPLACEMENT BRACKETS

135B Surface Mount Bracket

135G Recess Mount Grommet





Voltage Range: 12V or 24V

Warranty: 5 years

Ingress Protection: IP67

Approval: ECE & EMC ✓

- Super slimline design
- Highly durable
- Shock, water & dust proof
- Designed to be recess mounted, or surface mounted with bracket

- Available with black or white PCB
- Range of surface mount brackets available, see p.050



STOP / TAIL / INDICATOR

235BSTI12 12V, Black

235WSTI12 12V, White

235BSTI24 24V, Black

235WSTI24 24V, White

*Current Draw (13.8V / 28V):
Stop: 0.17A / 0.08A, Tail: 0.02A / 0.02A,
Indicator: 0.17A / 0.08A*



STOP / TAIL / INDICATOR

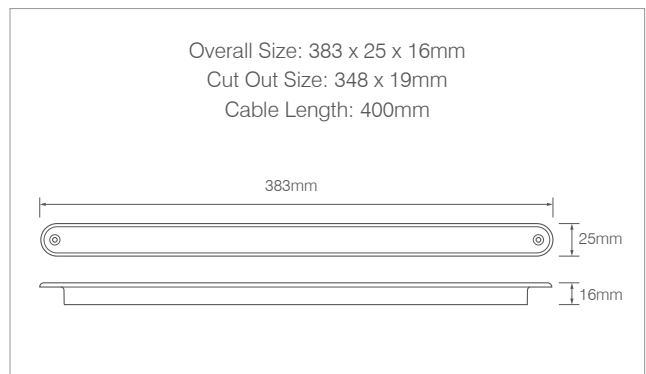
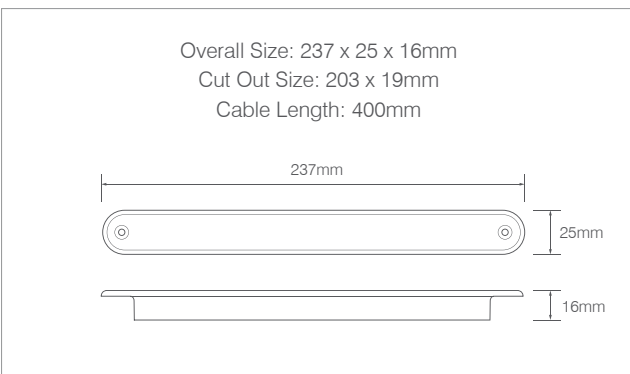
380BSTI12 12V, Black

380WSTI12 12V, White

*Current Draw (13.8V):
Stop: 0.2A, Tail: 0.04A, Indicator: 0.2A*



- Approved for horizontal and vertical use



4-FUNCTION COMPACT COMBINATION LAMPS



Voltage Range: 12/24V

Warranty: 5 years

Ingress Protection: IP67

Approval: ECE & EMC ✓

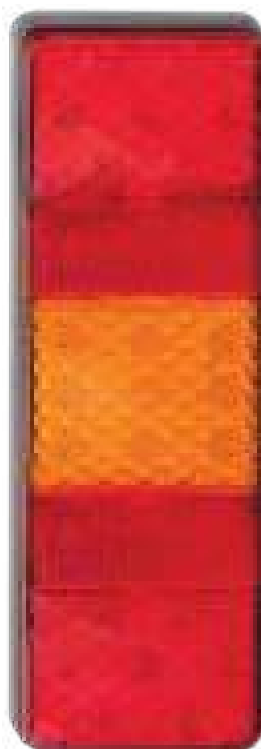
• Signature diamond pattern lens

• Shock, water & dust proof

• Integrated reflex reflectors

• Low-profile depth – only 24mm

• 2-pin accessory connection – compatible with 'plug & play' number plate lamps, see p.068–069

**STOP / TAIL / INDICATOR / REVERSE / REFLECTOR****250WARM**

Current Draw (13.8V / 28V):

Stop: 0.04A / 0.17A, Tail: 0.32A / 0.03A,

Indicator: 0.32A / 0.17A,

Reverse: 0.24A / 0.13A

STOP / TAIL / INDICATOR / FOG / REFLECTOR**250FARM**

Current Draw (13.8V / 28V):

Stop: 0.04A / 0.17A, Tail: 0.32A / 0.03A,

Indicator: 0.32A / 0.17A, Fog: 0.15A / 0.08A

STOP / TAIL / INDICATOR / REVERSE / REFLECTOR**250ARWM**

Current Draw (13.8V / 28V):

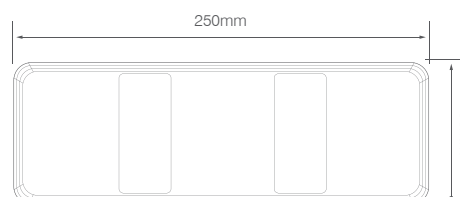
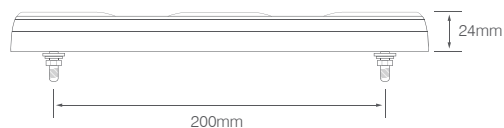
Stop: 0.04A / 0.17A, Tail: 0.32A / 0.03A,

Indicator: 0.32A / 0.17A,

Reverse: 0.24A / 0.13A

Overall Size: 250 x 80 x 24mm

Cable Length: 400mm



81 SERIES SQUARE REAR LAMPS



Voltage Range: 12V or 12/24V

Warranty: 5 years

Ingress Protection: IP67

Approval: ECE & EMC ✓

- Signature diamond pattern lens
- Shock, water & dust proof
- Very compact design
- 81STI; our smallest square combination lamp

COMPACT COMBINATION LAMP



STOP / TAIL / INDICATOR

81STI 12V

81STIM 12/24V

Current Draw (13.8V / 28V):
Stop: 0.22A / 0.12A, Tail: 0.01A / 0.01A,
Indicator: 0.19A / 0.09A



INDICATOR

81A 12V

81AM 12/24V

Current Draw (13.8V / 28V):
Indicator: 0.19A / 0.09A



STOP / TAIL

81R 12V

81RM 12/24V

Current Draw (13.8V / 28V):
Stop: 0.22A / 0.12A, Tail: 0.01A / 0.01A



FOG

81F 12V

81FM 12/24V

Current Draw (13.8V / 28V):
Fog: 0.17A / 0.11A

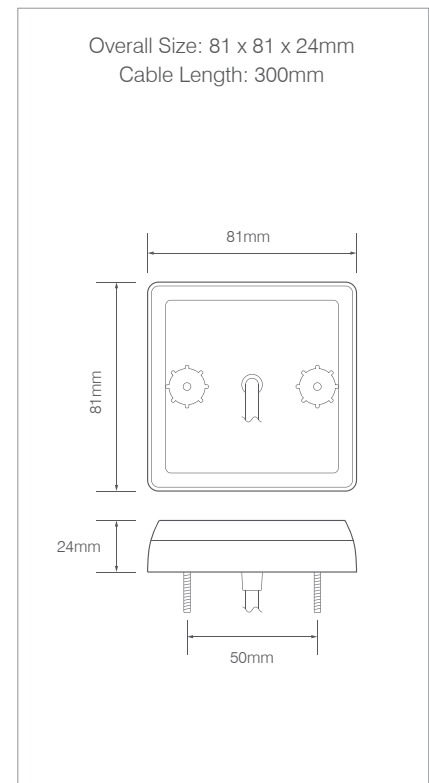


REVERSE

81W 12V

81WM 12/24V

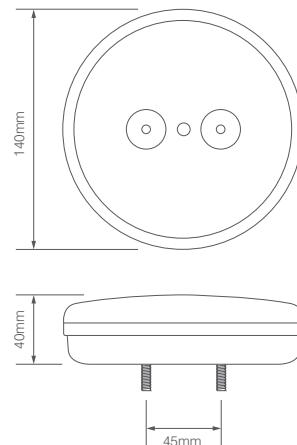
Current Draw (13.8V / 28V):
Reverse: 0.30A / 0.17A



SLIMLINE 'HAMBURGER STYLE' REAR LAMPS

**Voltage Range:** 12/24V**Warranty:** 5 years**Ingress Protection:** IP67**Approval:** ECE & EMC ✓

- 'Hamburger' style rear lamp with slimline bracket
- Shock, water & dust proof
- Strong acrylic lens
- High-brightness LEDs

**NEW****STOP / TAIL / INDICATOR****HB140STIM***Current Draw (13.8V / 28V):**Stop: 0.16A / 0.15A, Tail: 0.16A / 0.05A,**Indicator: 0.17A / 0.12A***NEW****REVERSE****HB140WM***Current Draw (13.8V / 28V):**Reverse: 0.85A / 0.2A***NEW****FOG****HB140FM***Current Draw (13.8V / 28V):**Fog: 0.13A / 0.08A*Overall Size: Ø140 x 40mm
Cable Length: 300mm

HBL 140 SERIES 'HAMBURGER STYLE' REAR LAMPS



5 year
warranty

12/24V

IP67

013

Voltage Range: 12/24V

Warranty: 5 years

Ingress Protection: IP67

Approval: ECE & EMC ✓

- Traditional 'hamburger' style rear lamp
- Shock, water & dust proof
- Strong acrylic lens
- High-brightness LEDs



NEW

STOP / TAIL / INDICATOR

HBL 140STIM

Current Draw (13.8V / 28V):

Stop: 0.16A / 0.15A, Tail: 0.16A / 0.05A,

Indicator: 0.17A / 0.12A



NEW

REVERSE

HBL 140WM

Current Draw (13.8V / 28V):

Reverse: 0.85A / 0.2A



NEW

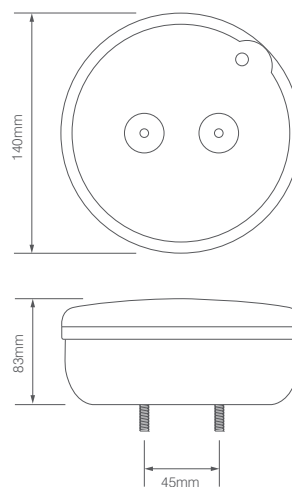
FOG

HBL 140FM

Current Draw (13.8V / 28V):

Fog: 0.13A / 0.08A

Overall Size: Ø140 x 83mm
Cable Length: 300mm



140 SERIES ROUND REAR LAMPS



Voltage Range: 12/24V

Warranty: 2 years

Ingress Protection: IP67

Approval: ECE & EMC ✓

- Traditional 'hamburger' style design
- Shock, water & dust proof
- Strong acrylic lens
- High-brightness LEDs



STOP / TAIL / INDICATOR

140STIM

Current Draw (13.8V / 28V):

Stop: 0.16A / 0.15A, Tail: 0.16A / 0.05A,

Indicator: 0.17A / 0.12A

STOP / TAIL / INDICATOR WITH NUMBER PLATE LAMP

140STILM

Current Draw (13.8V / 28V):

Stop: 0.16A / 0.15A,

Tail/Number Plate: 0.16A / 0.05A,

Indicator: 0.17A / 0.12A



REVERSE

140WM

Current Draw (13.8V / 28V):

Reverse: 0.85A / 0.2A

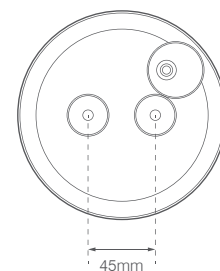
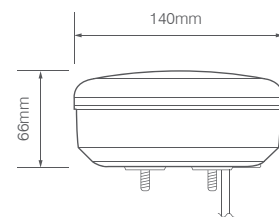
FOG

140FM

Current Draw (13.8V / 28V):

Fog: 0.13A / 0.08A

Overall Size: Ø140 x 66mm
Cable Length: 300mm



EU140 SERIES LOW-PROFILE ROUND REAR LAMPS



Voltage Range: 12/24V

Warranty: 5 years

Ingress Protection: IP67

Approval: ECE & EMC ✓

- Modern 'hamburger' style design
- Shock, water & dust proof
- Signature diamond pattern lens
- Low-profile – only 20mm depth
- Harness system compatible (EU140STIM only)

CLICK & STICK MOUNTING SYSTEM

See p. iv–v for more information



STOP / TAIL / INDICATOR

EU140STIM

Current Draw (13.8V / 28V):

Stop: 0.54A / 0.17A, Tail: 0.08A / 0.06A,

Indicator: 0.77A / 0.16A

REVERSE / TAIL / SUPPLEMENTARY STOP

EU140TRM

Current Draw (13.8V / 28V):

Reverse: 0.39A / 0.23A, Tail: 0.08A / 0.06A,

Stop: 0.54A / 0.17A

FOG / TAIL / SUPPLEMENTARY STOP

EU140TFM

Current Draw (13.8V / 28V):

Fog: 0.38A / 0.24A, Tail: 0.08A / 0.06A,

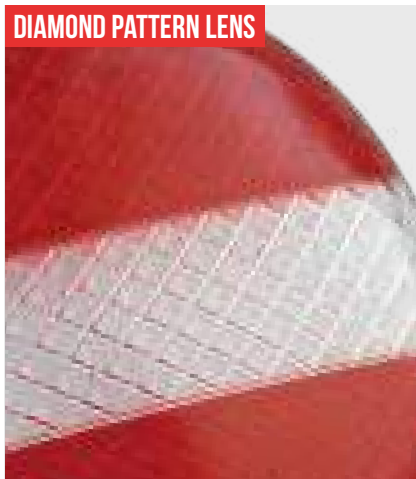
Stop: 0.54A / 0.17A

Supplementary stop function to be used only in combination with approved stop lamp (EU140STIM)

ONLY 20MM DEEP



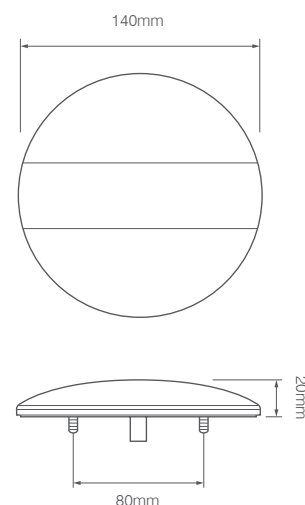
DIAMOND PATTERN LENS



CLICK & STICK MOUNTING SYSTEM



Overall Size: Ø140 x 20mm
Cable Length: 400mm



MAXILAMP 1XR SERIES ROUND REAR LAMPS



7 year warranty

12/24V

IP67

Voltage Range: 12/24V

Warranty: 7 years

Ingress Protection: IP67

Approval: ECE & EMC ✓

- Integrated reflex reflector
- Shock, water & dust proof
- 30x high-brightness LEDs
- Toughened acrylic outer lens



STOP / TAIL / INDICATOR / REFLECTOR

MAXILAMP 1XRE

Current Draw (13.8V / 28V):

Stop: 0.54A / 0.17A, Tail: 0.08A / 0.06A,
Indicator: 0.77A / 0.16A

REVERSE / REFLECTOR

MAXILAMP 1XRWE

Current Draw (13.8V / 28V):

Reverse: 0.39A / 0.23A

FOG / REFLECTOR

MAXILAMP 1XRFE

Current Draw (13.8V / 28V):

Fog: 0.38A / 0.24A



**NEW
BLACK-CHROME
COLOURWAY**

STOP / TAIL / INDICATOR / REFLECTOR

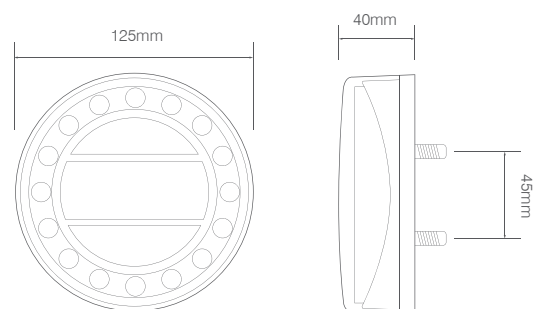
MAXILAMPC 1XRE

Current Draw (13.8V / 28V):

Stop: 0.54A / 0.17A, Tail: 0.08A / 0.06A, Indicator: 0.77A / 0.16A

Overall Size: Ø125 x 40mm

Cable Length: 400mm



MAXILAMP 1XC SERIES ROUND REAR LAMPS



Voltage Range: 12/24V

Warranty: 7 years

Ingress Protection: IP67

Approval: ECE & EMC ✓

- Integrated reflex reflector
- Shock, water & dust proof
- 30x high-brightness LEDs
- Toughened acrylic outer lens



STOP / TAIL / INDICATOR / REFLECTOR

MAXILAMP 1XCE

Current Draw (13.8V / 28V):
Stop: 0.54A / 0.17A, Tail: 0.08A / 0.06A,
Indicator: 0.77A / 0.16A

REVERSE / REFLECTOR

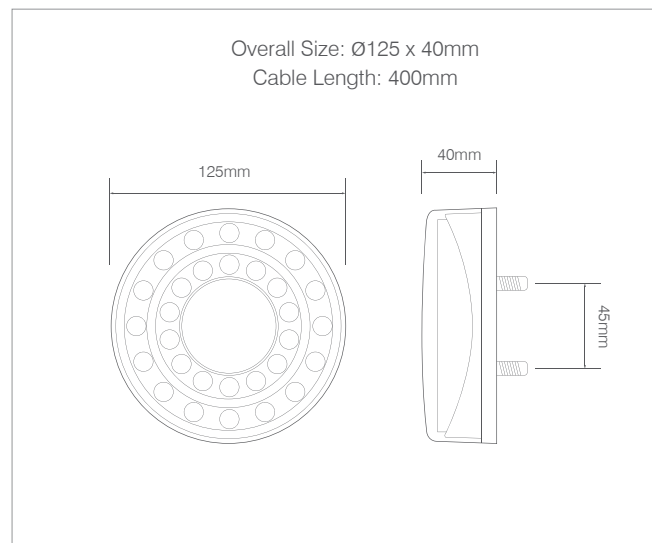
MAXILAMP 1XCWE

Current Draw (13.8V / 28V):
Reverse: 0.39A / 0.23A

FOG / REFLECTOR

MAXILAMP 1XCFE

Current Draw (13.8V / 28V):
Fog: 0.38A / 0.24A



95MM ROUND REAR LAMPS

**Voltage Range:** 12/24V**Warranty:** 3 years**Ingress Protection:** IP67**Approval:** ECE & EMC ✓

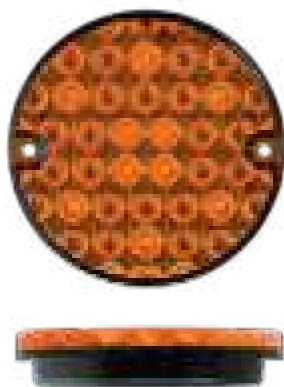
- 95mm diameter
- Low-profile design – only 18mm
- Tough acrylic lens
- Surface mounting bracket available
- Shock, water & dust proof

NEW 95STIM Compact Combi Lamp:

Tail Stop Indicator

**NEW****STOP / TAIL / INDICATOR****95STIM**

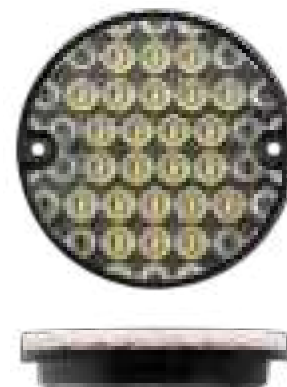
Current Draw (13.8V / 28V):
 Stop: 0.15A / 0.08A,
 Tail: 0.02A / 0.01A,
 Indicator: 0.15A / 0.09A

**INDICATOR****95AM**

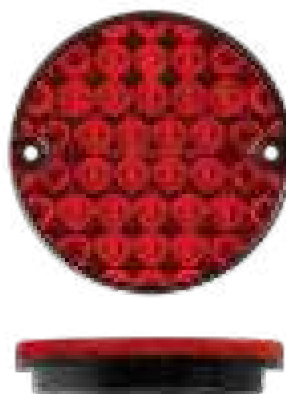
Current Draw (13.8V / 28V):
 Indicator: 0.15A / 0.09A

**STOP / TAIL****95RM**

Current Draw (13.8V / 28V):
 Stop: 0.15A / 0.08A,
 Tail: 0.02A / 0.01A

**REVERSE****95WM**

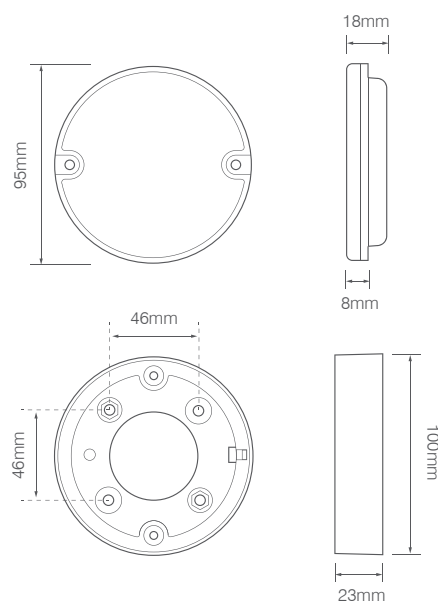
Current Draw (13.8V / 28V):
 Reverse: 0.15A / 0.1A

**FOG****95FM**

Current Draw (13.8V / 28V):
 Fog: 0.35A / 0.2A

**SURFACE MOUNTING BRACKET****95BKT**

Overall Size: Ø95 x 18mm
 (with Bracket: Ø100 x 31mm)
 Cable Length: 200mm



Bracket

145 SERIES 145MM ROUND REAR LAMPS

5 year
warranty

12/24V

IP67

Voltage Range: 12/24V

Warranty: 5 years

Ingress Protection: IP67

Approval: ECE & EMC ✓

- Chrome bezel
- Tough acrylic lens
- Surface mounted
- Shock, water & dust proof



INDICATOR

145AME

Current Draw (13.8V / 28V):
Indicator: 0.26A / 0.09A



STOP / TAIL

145RME

Current Draw (13.8V / 28V):
Stop: 0.27A / 0.12A, Tail: 0.07A / 0.01A



REVERSE

145WME

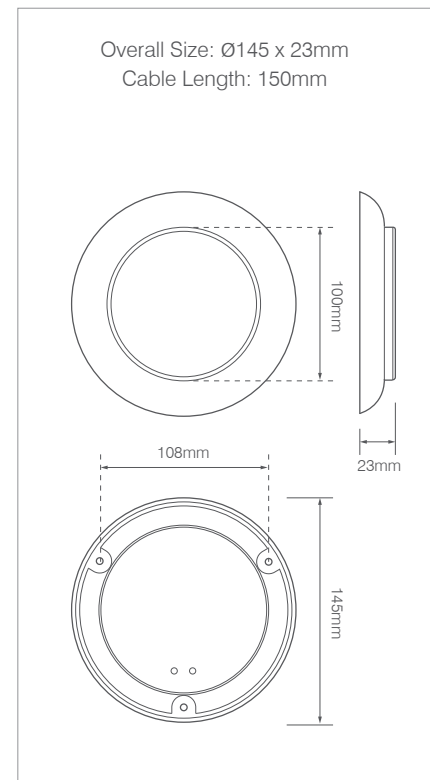
Current Draw (13.8V / 28V):
Reverse: 0.10A / 0.17A



FOG

145FME

Current Draw (13.8V / 28V):
Fog: 0.27A / 0.16A



280 SERIES SQUARE REAR LAMPS



Voltage Range: 12/24V

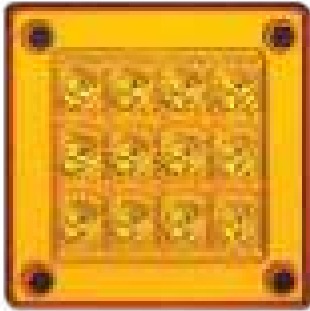
Warranty: 5 years

Ingress Protection: IP67

Approval: ECE & EMC ✓

- New square lamp design
- Tough acrylic lens
- Individually surface mounted
- Shock, water & dust proof

- Can be used as replacement lamp modules for 280 series triple combination lamps, see p.030



INDICATOR

280AM

Current Draw (13.8V / 28V):
0.18A / 0.1A

STOP / TAIL

280RM

Current Draw (13.8V / 28V):
Stop: 0.18A / 0.11A, Tail: 0.02A / 0.03A

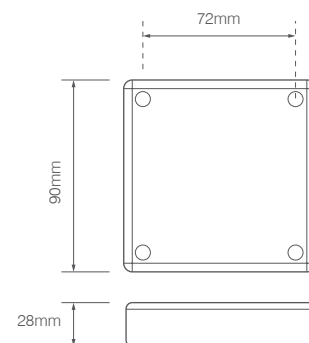
REVERSE

280WM

Current Draw (13.8V / 28V):
0.20A / 0.13A



Overall Size: 90 x 90 x 28mm
Cable Length: 100mm



Voltage Range: 12/24V

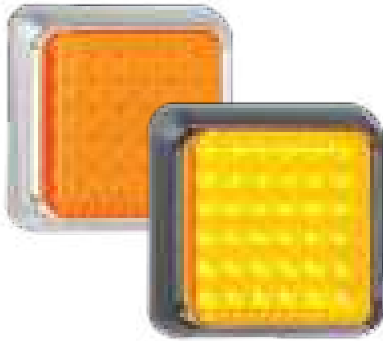
Warranty: 5 years

Ingress Protection: IP67

Approval: ECE & EMC ✓

- The original square lamp design
- Tough acrylic lens
- Individually surface mounted
- Shock, water & dust proof

- Available with black or chrome brackets
- Replacement lamp modules available; 80AMEB, 80RMEB, 80WMEB, 80FMEB



INDICATOR

80AME Black

80CAME Chrome

Current Draw (13.8V / 28V):
Indicator: 0.26A / 0.09A



STOP / TAIL

80RME Black

80CRME Chrome

Current Draw (13.8V / 28V):
Stop: 0.27A / 0.12A, Tail: 0.07A / 0.01A



REVERSE

80WME Black

80CWME Chrome

Current Draw (13.8V / 28V):
Reverse: 0.1A / 0.17A



FOG

80FME Black

80CFME Chrome

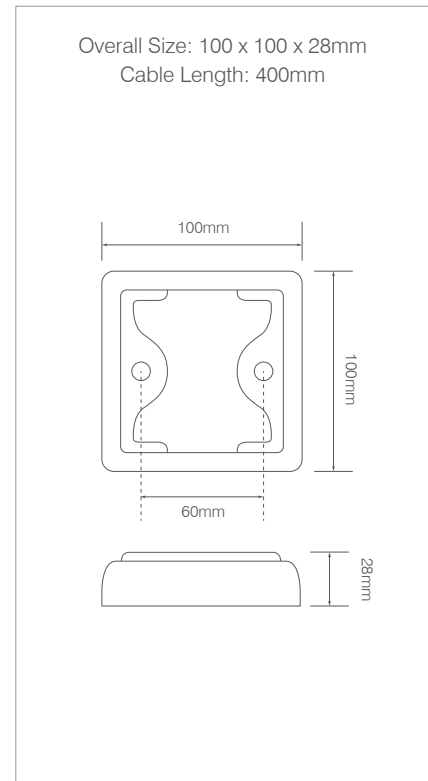
Current Draw (13.8V / 28V):
Fog: 0.27A / 0.16A



REPLACEMENT BRACKETS

80B1B Black

80B1C Chrome



MEDIUM SQUARE REAR LAMPS 100MM MODULE



Voltage Range: 12/24V

Warranty: 5 years

Ingress Protection: IP67

Approval: ECE & EMC ✓

•The original square lamp design

•Tough acrylic lens

•Individually surface mounted

•Shock, water & dust proof

•Available with black or chrome brackets

•Replacement lamp modules available; 100AMEB, 100RMEB, 100WMEB, 100FMEB



INDICATOR

100AME Black

100CAME Chrome

Current Draw (13.8V / 28V):
Indicator: 0.38A / 0.23A



STOP / TAIL

100RME Black

100CRME Chrome

Current Draw (13.8V / 28V):
Stop: 0.38A / 0.24A, Tail: 0.04A / 0.04A



REVERSE

100WME Black

100CWME Chrome

Current Draw (13.8V / 28V):
Reverse: 0.31A / 0.17A



FOG

100FME Black

100CFME Chrome

Current Draw (13.8V / 28V):
Fog: 0.42A / 0.21A

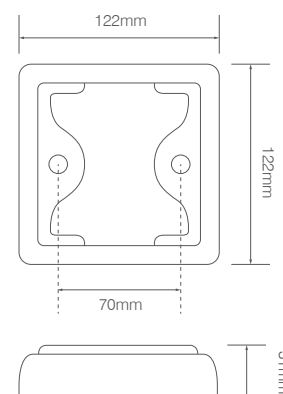


REPLACEMENT BRACKETS

100B1B Black

100B1C Chrome

Overall Size: 122 x 122 x 31mm
Cable Length: 400mm



125 SERIES**LARGE SQUARE REAR LAMPS 125MM MODULE**5 year
warranty

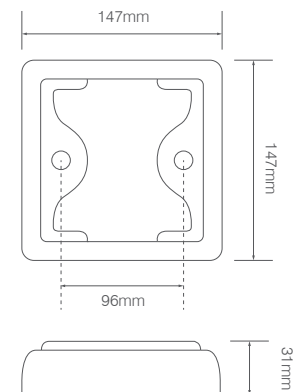
12/24V

IP67

Voltage Range: 12/24V**Warranty:** 5 years**Ingress Protection:** IP67**Approval:** ECE & EMC ✓

- The original square lamp design
- Tough acrylic lens
- Individually surface mounted
- Shock, water & dust proof

- Available with black or chrome brackets
- Replacement lamp modules available; 125AMEB, 125RMEB, 125WMEB, 125FMEB

**INDICATOR****125AME** Black**125CAME** ChromeCurrent Draw (13.8V / 28V):
Indicator: 0.43A / 0.25A**STOP / TAIL****125RME** Black**125CRME** ChromeCurrent Draw (13.8V / 28V):
Stop: 0.42A / 0.26A, Tail: 0.04A / 0.06A**REVERSE****125WME** Black**125CWME** ChromeCurrent Draw (13.8V / 28V):
Reverse: 0.36A / 0.18A**FOG****125FME** Black**125CFME** ChromeCurrent Draw (13.8V / 28V):
Fog: 0.42A / 0.21A**REPLACEMENT BRACKETS****125B1B** Black**125B1C** ChromeOverall Size: 147 x 147 x 31mm
Cable Length: 400mm

200 SERIES SLIMLINE REAR LAMPS



Voltage Range: 12/24V

Warranty: 5 years

Ingress Protection: IP67

Approval: ECE & EMC ✓

- Slimline design
- Tough acrylic lens
- Individually surface mounted
- Shock, water & dust proof
- Available with black or chrome brackets



INDICATOR

200AME Black

200CAME Chrome

Current Draw (13.8V / 28V):
Indicator: 0.39A / 0.19A

STOP / TAIL

200RME Black

200CRME Chrome

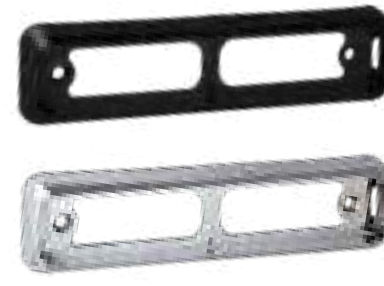
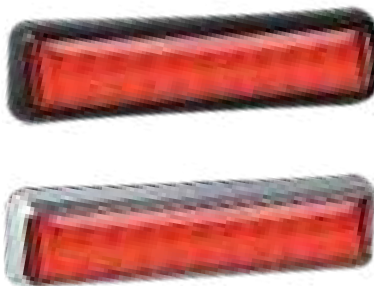
Current Draw (13.8V / 28V):
Stop: 0.32A / 0.18A, Tail: 0.04A / 0.04A

REVERSE

200WME Black

200CWME Chrome

Current Draw (13.8V / 28V):
Reverse: 0.39A / 0.18A



FOG

200FME Black

200CFME Chrome

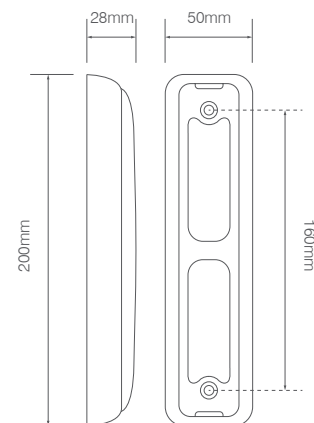
Current Draw (13.8V / 28V):
Fog: 0.35A / 0.2A

REPLACEMENT BRACKETS

200B1B Black

200B1C Chrome

Overall Size: 200 x 50 x 28mm
Cable Length: 400mm



135 SERIES SLIMLINE REAR LAMPS



Voltage Range: 12/24V

Warranty: 5 years

Ingress Protection: IP67

Approval: ECE & EMC ✓

- Slimline design
- Highly durable
- Available in surface or recess mount
- Shock, water & dust proof
- Signature diamond pattern lens



INDICATOR

135AME Surface Mount Bracket

135AMGE Recess Mount Grommet

Current Draw (13.8V / 28V):

Indicator: 0.16A / 0.06A

STOP / TAIL

135RME Surface Mount Bracket

135RMGE Recess Mount Grommet

Current Draw (13.8V / 28V):

Stop: 0.11A / 0.08A, Tail: 0.02A / 0.02A

REVERSE

135WME Surface Mount Bracket

135WMGE Recess Mount Grommet

Current Draw (13.8V / 28V):

Reverse: 0.23A / 0.19A



FOG

135FME Surface Mount Bracket

135FMGE Recess Mount Grommet

Current Draw (13.8V / 28V):

Fog: 0.33A / 0.2A

REPLACEMENT BRACKETS

135B Bracket

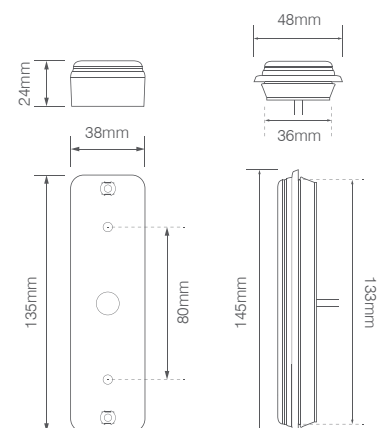
135G Grommet

TRIPLE MOUNTING BRACKET*

135BKT Chrome

*Fits 135 series grommet mounted lamps

Overall Size, Bracket: 135 x 38 x 24mm
Overall Size, Grommet: 145 x 48 x 20mm
Cable Length: 180mm





Voltage Range: 12/24V

Warranty: 5 years

Ingress Protection: IP67

Approval: ECE & EMC ✓

- Modern rear lamp design
- Low-profile – only 25mm depth
- Tough acrylic lens
- Signature diamond pattern lens

- Shock, water & dust proof
- Harness system compatible
- 2-pin accessory connection – compatible with 'plug & play' number plate lamps, see p.068–069



STOP / TAIL / INDICATOR / FOG / REVERSE / TRIANGLE REFLECTOR

EU200LR2 Twin Pack

EU200L Left

EU200R Right

Current Draw (13.8V / 28V):

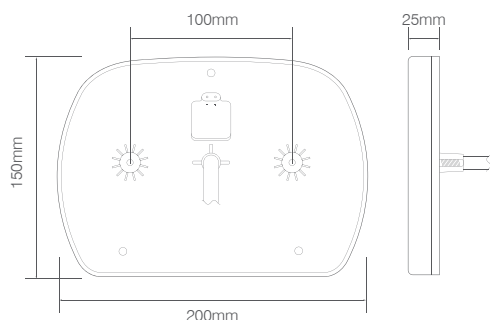
Stop: 0.31A / 0.19A, Tail: 0.01A / 0.01A, Indicator: 0.15A / 0.09A, Fog: 0.15A / 0.01A, Reverse: 0.27A / 0.15A

PLUG & PLAY ACCESSORY CONNECTION



41BLM-1P

Overall Size: 200 x 150 x 25mm
Cable Length: 400mm



SIGNATURE DIAMOND PATTERN LENS



Voltage Range: 12/24V

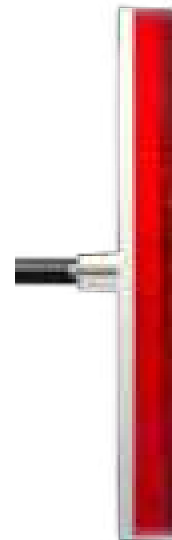
Warranty: 5 years

Ingress Protection: IP67

Approval: ECE & EMC ✓

- Modern rear lamp design
- Low-profile – only 22mm depth
- Tough acrylic lens
- Signature diamond pattern lens

- Shock, water & dust proof
- Harness system compatible
- 2-pin accessory connection – compatible with ‘plug & play’ number plate lamps, see p.068–069



STOP / TAIL / INDICATOR / FOG / REVERSE / TRIANGLE REFLECTOR

EU 195LR2 Twin Pack

EU 195L Left

EU 195R Right

Current Draw (13.8V / 28V):

Stop: 0.24A / 0.15A, Tail: 0.04A / 0.03A, Indicator: 0.17A / 0.09A,

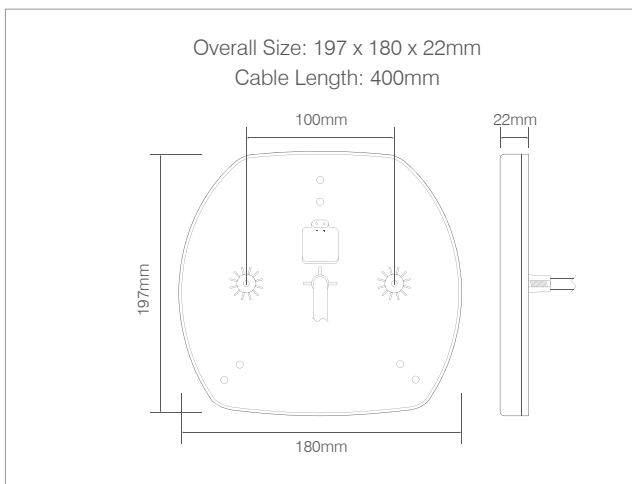
Fog: 0.17A / 0.09A, Reverse: 0.02A / 0.12A

PLUG & PLAY ACCESSORY CONNECTION



41BLM-1P

INTEGRATED TRIANGLE REFLECTOR





Voltage Range: 12/24V

Warranty: 5 years

Ingress Protection: IP67

Approval: ECE & EMC ✓

- Modern rear lamp design
- Low-profile – only 20mm depth
- Tough acrylic lens
- Signature diamond pattern lens

- Shock, water & dust proof
- Harness system compatible
- Double 2-pin accessory connection – compatible with 'plug & play' number plate lamps, see p.068–069



STOP / TAIL / INDICATOR / FOG / REVERSE / TRIANGLE REFLECTOR

EU390LR2 Twin Pack

EU390L Left

EU390R Right

Current Draw (13.8V / 28V):

Stop: 0.59A / 0.3A, Tail: 0.47A / 0.25A, Indicator: 0.55A / 0.31A,

Fog: 0.44A / 0.29A, Reverse: 0.58A / 0.29A

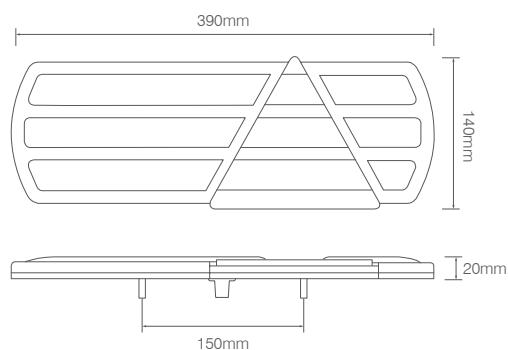
TWIN ACCESSORY CONNECTION



41BLM-1P

Overall Size: 390 x 140 x 20mm

Cable Length: 400mm



SUPER LOW-PROFILE



MAXILAMPS 3XR MULTIFUNCTION REAR LAMPS



Voltage Range: 12/24V

Warranty: 7 years

Ingress Protection: IP67

Approval: ECE & EMC ✓

- Shock, water & dust proof
- Integrated reflex reflectors
- 90x high-powered LEDs
- Harness system compatible
- Protective acrylic outer lens



STOP / TAIL / INDICATOR / REVERSE / REFLECTOR

MAXILAMP 3XRW

Current Draw (13.8V / 28V):

Stop: 0.54A / 0.17A, Tail: 0.08A / 0.06A, Indicator: 0.77A / 0.16A, Reverse: 0.39A / 0.23A

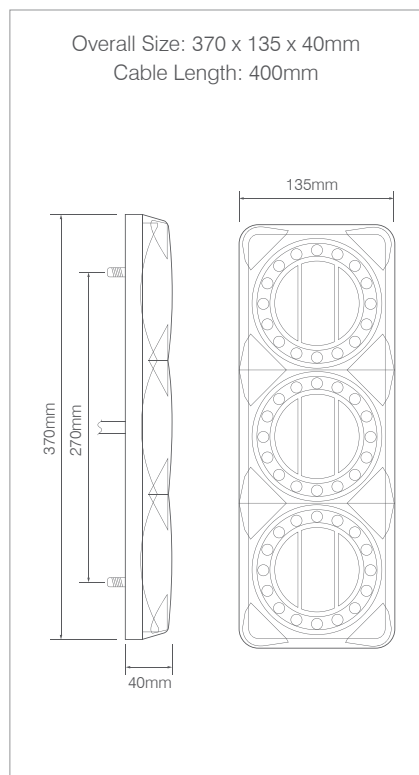


STOP / TAIL / INDICATOR / FOG / REFLECTOR

MAXILAMP 3XRF

Current Draw (13.8V / 28V):

Stop: 0.54A / 0.17A, Tail: 0.08A / 0.06A, Indicator: 0.77A / 0.16A, Fog: 0.38A / 0.24A





Voltage Range: 12/24V

Warranty: 5 years

Ingress Protection: IP67

Approval: ECE & EMC ✓

• New design square lamp series

• Tough acrylic lens

• Shock, water & dust proof

• Replacement lamp modules available, see p.020



NEW

STOP / TAIL / INDICATOR

280ARM

Current Draw (13.8V / 28V):

Stop: 0.15A / 0.11A, Tail: 0.02A / 0.03A, Indicator: 0.14A / 0.11A

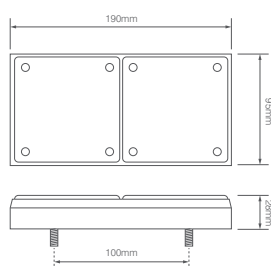
STOP / TAIL / INDICATOR / REVERSE

280ARWM

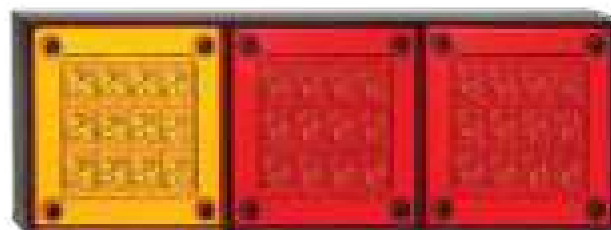
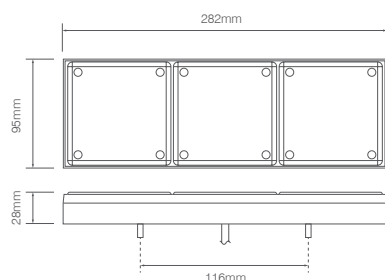
Current Draw (13.8V / 28V):

Stop: 0.15A / 0.11A, Tail: 0.02A / 0.03A, Indicator: 0.14A / 0.11A, Reverse: 0.17A / 0.13A

Overall Size: 282 x 95 x 28mm
Cable Length: 1200mm



Overall Size: 282 x 95 x 28mm
Cable Length: 1200mm



STOP / TAIL / INDICATOR

280ARRM

Current Draw (13.8V / 28V):

Stop: 0.30A / 0.22A, Tail: 0.04A / 0.06A, Indicator: 0.14A / 0.11A

460 SERIES REAR COMBINATION LAMPS



Voltage Range: 12/24V

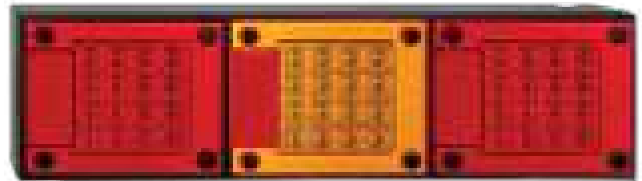
Warranty: 5 years

Ingress Protection: IP67

Approval: ECE & EMC ✓

- New design square lamp series
- Integrated reflex reflector
- Tough acrylic lens
- Shock, water & dust proof

- Replacement lamp modules available; Indicator: 460AMB, Stop/Tail: 460RMB, Fog: 460FMB, Reverse: 460WMB,



STOP / TAIL / INDICATOR / REVERSE

460WARM

Current Draw (13.8V / 28V):

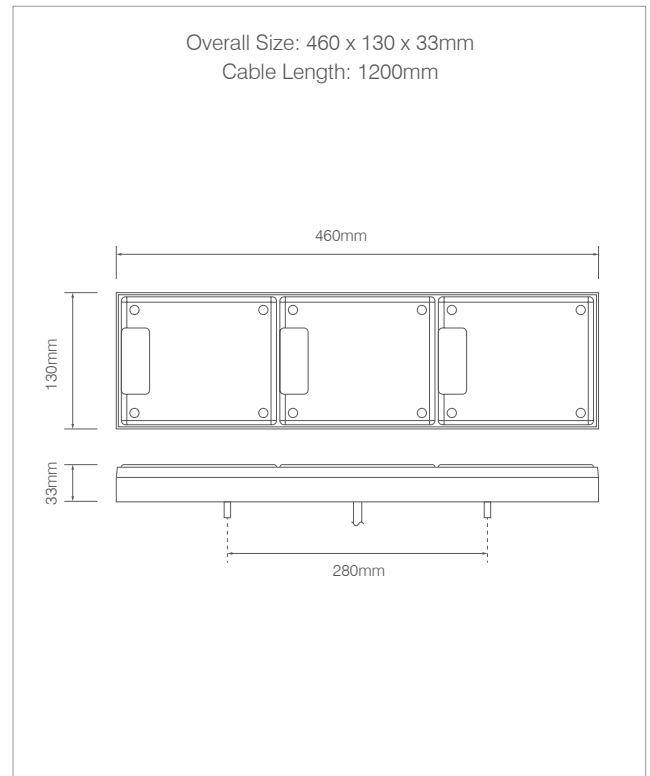
Stop: 0.30A / 0.17A, Tail: 0.02A / 0.04A, Indicator: 0.32A / 0.18A, Reverse: 0.19A / 0.12A

STOP / TAIL / INDICATOR / FOG

460FARM

Current Draw (13.8V / 28V):

Stop: 0.30A / 0.17A, Tail: 0.02A / 0.04A, Indicator: 0.32A / 0.18A, Fog: 0.25A / 0.13A



STOP / TAIL / INDICATOR

460ARRM

Current Draw (13.8V / 28V):

Stop: 0.30A / 0.17A, Tail: 0.02A / 0.04A, Indicator: 0.32A / 0.18A



TRIPLE COMBINATION REAR LAMPS



Voltage Range: 12/24V

Warranty: 5 years

Ingress Protection: IP67

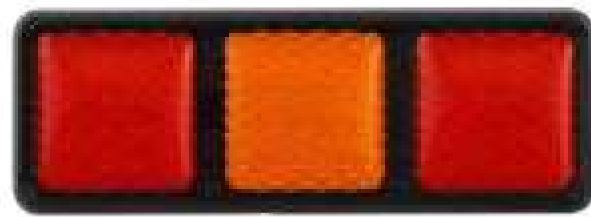
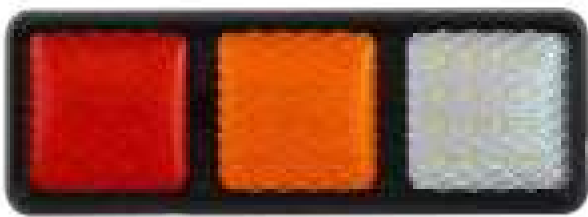
Approval: ECE & EMC ✓

• Vertical or horizontal mounting

• Curved acrylic lenses with diamond lens pattern

• Shock, water & dust proof

• Single sheathed cable

**STOP / TAIL / INDICATOR / REVERSE****282WARM**

Current Draw (13.8V / 28V):

Stop: 0.23A / 0.12A, Tail: 0.04A / 0.04A, Indicator: 0.22A / 0.12A,

Reverse: 0.16A / 0.09A

STOP / TAIL / INDICATOR / FOG**282FARM**

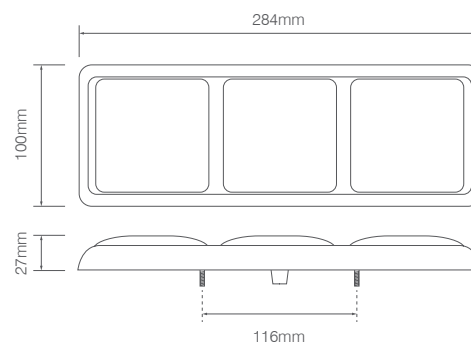
Current Draw (13.8V / 28V):

Stop: 0.23A / 0.12A, Tail: 0.04A / 0.04A, Indicator: 0.22A / 0.12A,

Fog: 0.23A / 0.12A

SIGNATURE DIAMOND PATTERN LENS

Overall Size: 284 x 100 x 27mm
Cable Length: 200mm



Voltage Range: 12/24V

Warranty: 5 years

Ingress Protection: IP67

Approval: ECE & EMC ✓

- 80mm square lamp modules
- Double surface mounting bracket
- Tough acrylic lenses
- Shock, water & dust proof

- Available in black or chrome
- Replacement lamp modules available; 80AMEB, 80RMEB



STOP / TAIL / INDICATOR

80BARME Black

Current Draw (13.8V / 28V):

Stop: 0.33A / 0.25A, Tail: 0.06A / 0.04A, Indicator: 0.31A / 0.22A

STOP / TAIL / INDICATOR

80CARME Chrome

Current Draw (13.8V / 28V):

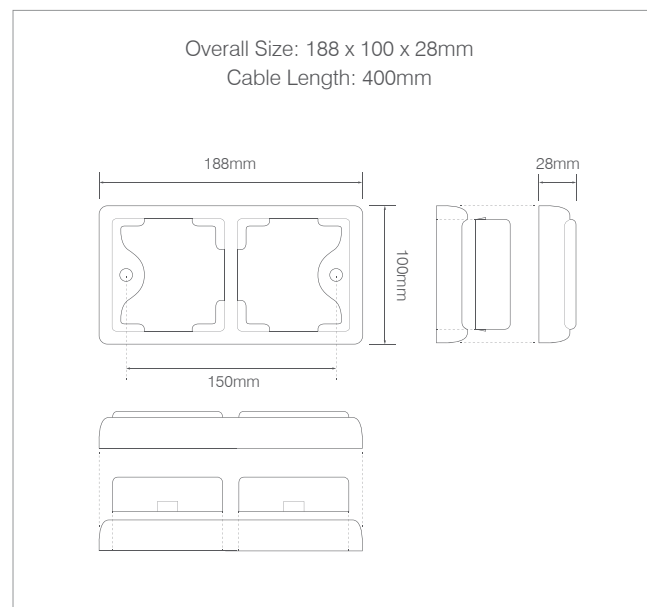
Stop: 0.33A / 0.25A, Tail: 0.06A / 0.04A, Indicator: 0.31A / 0.22A



REPLACEMENT BRACKETS

80B2B Double Black Bracket

80B2C Double Chrome Bracket



TRIPLE COMBINATION REAR LAMPS – BLACK



Voltage Range: 12/24V

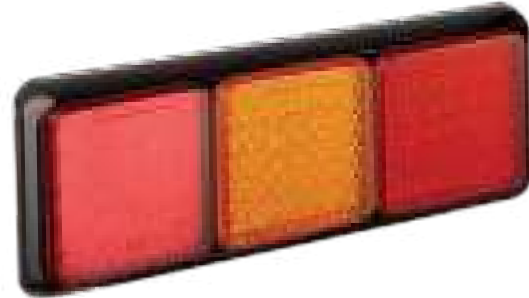
Warranty: 5 years

Ingress Protection: IP67

Approval: ECE & EMC ✓

- 80mm square lamp modules
- Black triple surface mounting bracket
- Tough acrylic lenses
- Shock, water & dust proof

- Replacement lamp modules available; 80AMEB, 80RMEB, 80WMEB, 80FMEB
- For vertical mounting bracket see p.036



STOP / TAIL / INDICATOR / REVERSE

80BRAWME

Current Draw (13.8V / 28V):

Stop: 0.33A / 0.25A, Tail: 0.06A / 0.04A, Indicator: 0.29A / 0.22A,

Reverse: 0.17A / 0.21A

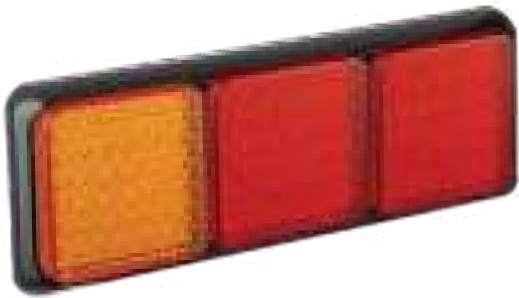
STOP / TAIL / INDICATOR / FOG

80BFARME

Current Draw (13.8V / 28V):

Stop: 0.33A / 0.25A, Tail: 0.06A / 0.04A, Indicator: 0.29A / 0.22A,

Fog: 0.42A / 0.21A



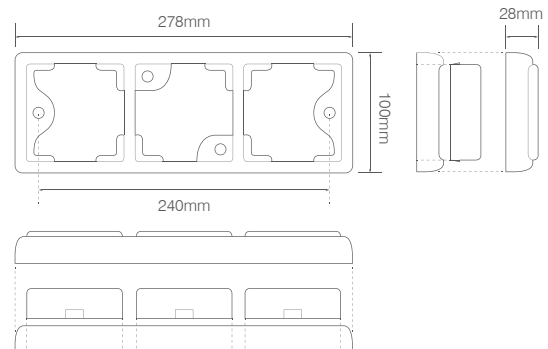
STOP / TAIL / INDICATOR

80BARRME

Current Draw (13.8V / 28V):

Stop: 0.33A / 0.25A, Tail: 0.06A / 0.04A, Indicator: 0.29A / 0.22A

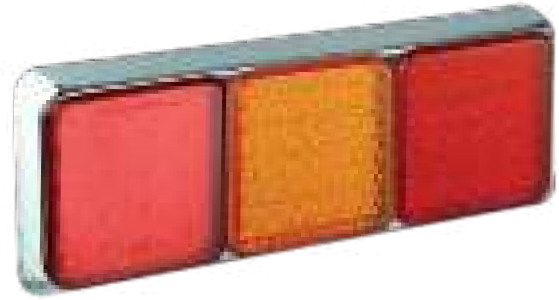
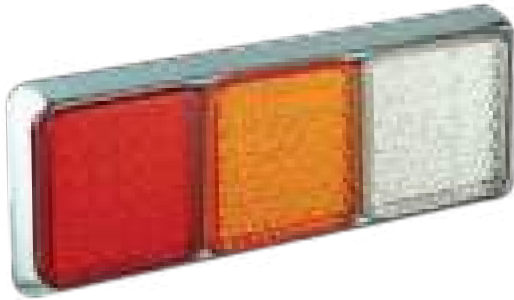
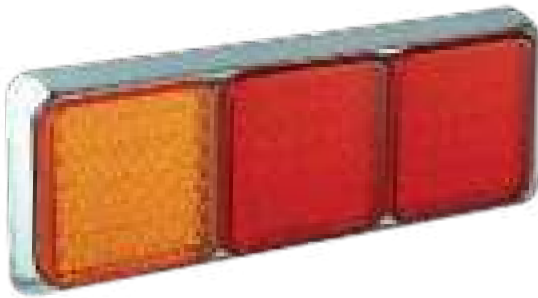
Overall Size: 278 x 100 x 28mm
Cable Length: 400mm



Voltage Range: 12/24V**Warranty:** 5 years**Ingress Protection:** IP67**Approval:** ECE & EMC ✓

- 80mm square lamp modules
- Chrome triple surface mounting bracket
- Tough acrylic lenses
- Shock, water & dust proof

- Replacement lamp modules available; 80AMEB, 80RMEB, 80WMEB, 80FMEB
- For vertical mounting bracket see p.036

**STOP / TAIL / INDICATOR / REVERSE****80CRAWME***Current Draw (13.8V / 28V):**Stop: 0.33A / 0.25A, Tail: 0.06A / 0.04A, Indicator: 0.29A / 0.22A, Reverse: 0.17A / 0.21A***STOP / TAIL / INDICATOR / FOG****80CFARME***Current Draw (13.8V / 28V):**Stop: 0.33A / 0.25A, Tail: 0.06A / 0.04A, Indicator: 0.29A / 0.22A, Fog: 0.42A / 0.21A***STOP / TAIL / INDICATOR****80CARRME***Current Draw (13.8V / 28V):**Stop: 0.33A / 0.25A, Tail: 0.06A / 0.04A, Indicator: 0.29A / 0.22A***REPLACEMENT BRACKETS****80B3B** Triple Black Bracket**80B3C** Triple Chrome Bracket

VERTICAL MOUNTING BRACKET & LAMP MODULES

- Specially designed bracket allows for 80 series lamp modules to be mounted in vertical formation
- Lamp modules simply click into place

! Lamp modules and bracket sold separately



VERTICAL MOUNTING BRACKET FOR 80 SERIES LAMP MODULES

80B3V

SIMPLY CLICK MODULES INTO PLACE



80 SERIES LAMP MODULES

80BSTIME-BOX Stop / Tail / Indicator

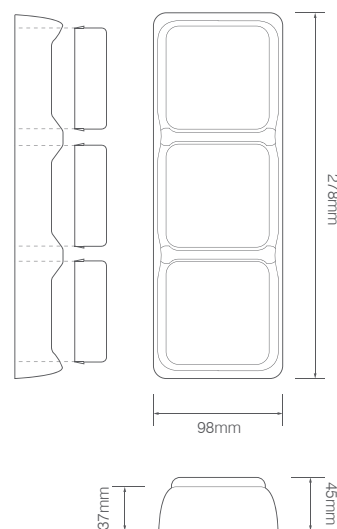
80RMEB Stop / Tail

80AMEB Indicator

80WMEB Reverse

80FMEB Fog

Overall Size: 278 x 98 x 37mm



80 SERIES

MOUNTING ACCESSORIES



80 SERIES TRIPLE BRACKET HOUSING

80BKT



80 SERIES-TRIPLE STEEL MOUNTING BRACKET

80B3SKT Black

80C3SKT Silver



Voltage Range: 12/24V

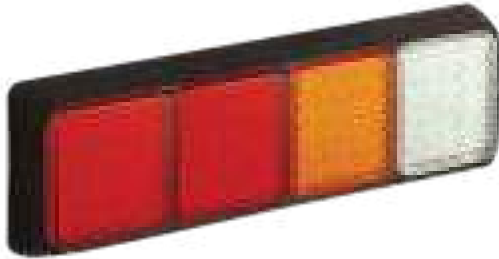
Warranty: 5 years

Ingress Protection: IP67

Approval: ECE & EMC ✓

- 80mm square lamp modules
- Quad surface mounting bracket
- Tough acrylic lenses
- Shock, water & dust proof

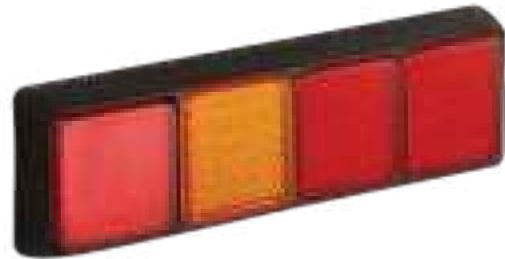
- Replacement lamp modules available; 80AMEB, 80RMEB, 80WMEB, 80FMEB
- Harness system compatible (80BFWARME only)



STOP / TAIL / INDICATOR / REVERSE

80BRRAWME

Current Draw (13.8V / 28V):
 Stop: 0.33A / 0.25A, Tail: 0.06A / 0.04A, Indicator: 0.29A / 0.22A,
 Reverse: 0.17A / 0.21A



STOP / TAIL / INDICATOR / FOG

80BFARRME

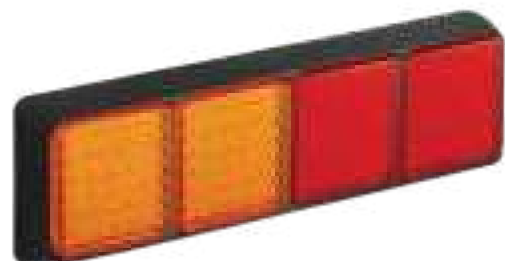
Current Draw (13.8V / 28V):
 Stop: 0.33A / 0.25A, Tail: 0.06A / 0.04A, Indicator: 0.29A / 0.22A,
 Fog: 0.42A / 0.21A



STOP / TAIL / INDICATOR / REVERSE / FOG

80BFWARME

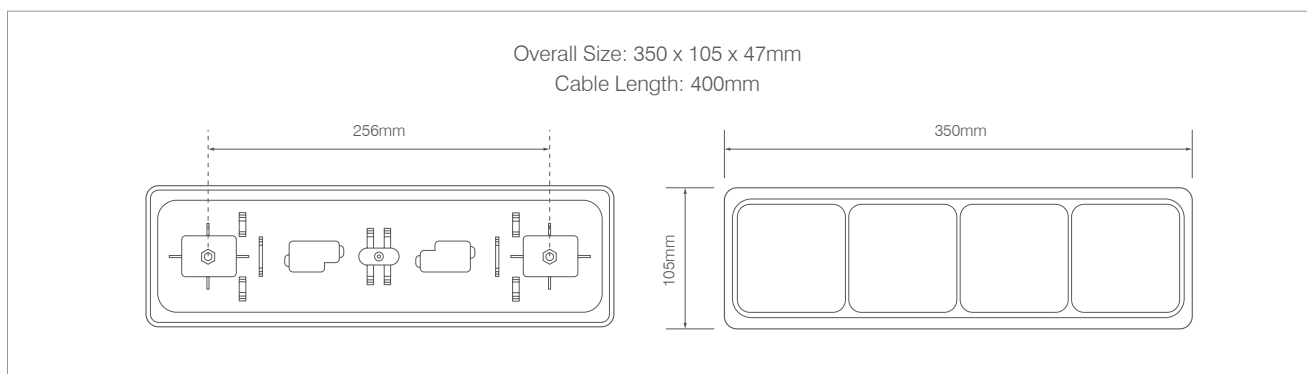
Current Draw (13.8V / 28V):
 Stop: 0.33A / 0.25A, Tail: 0.06A / 0.04A, Indicator: 0.29A / 0.22A,
 Reverse: 0.17A / 0.21A, Fog: 0.42A / 0.21A



STOP / TAIL / INDICATOR

80BAARRME

Current Draw (13.8V / 28V):
 Stop: 0.33A / 0.25A, Tail: 0.06A / 0.04A, Indicator: 0.29A / 0.22A

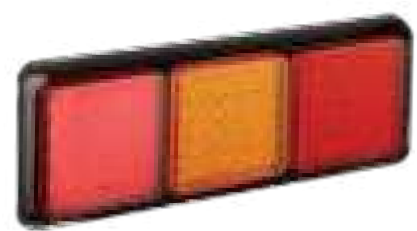
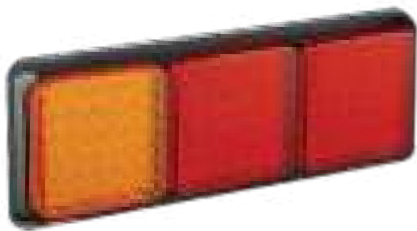
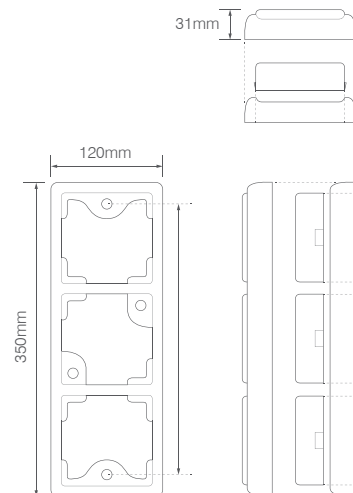


TRIPLE COMBINATION REAR LAMPS – BLACK

**Voltage Range:** 12/24V**Warranty:** 5 years**Ingress Protection:** IP67**Approval:** ECE & EMC ✓

- 100mm square lamp modules
- Black triple surface mounting bracket
- Tough acrylic lenses
- Shock, water & dust proof

- Replacement lamp modules available; 100AMEB, 100RMEB, 100WMEB, 100FMEB

**STOP / TAIL / INDICATOR****100BARRME***Current Draw (13.8V / 28V):**Stop: 0.38A / 0.24A, Tail: 0.04A / 0.07A,
Indicator: 0.38A / 0.23A***STOP / TAIL / INDICATOR / REVERSE****100BRAWME***Current Draw (13.8V / 28V):**Stop: 0.38A / 0.24A, Tail: 0.04A / 0.07A,
Indicator: 0.38A / 0.23A,
Reverse: 0.31A / 0.17A***STOP / TAIL / INDICATOR / FOG****100BFARME***Current Draw (13.8V / 28V):**Stop: 0.38A / 0.24A, Tail: 0.04A / 0.07A,
Indicator: 0.38A / 0.23A, Fog: 0.42A / 0.21A***STOP / TAIL / INDICATOR /
REVERSE / FOG****100BSTIWFMLE***Current Draw (13.8V / 28V):**Stop: 0.38A / 0.24A, Tail: 0.04A / 0.07A,
Indicator: 0.38A / 0.23A,
Reverse: 0.31A / 0.17A, Fog: 0.42A / 0.21A***STOP / TAIL / INDICATOR /
REVERSE / FOG****100BSTIWMRE***Current Draw (13.8V / 28V):**Stop: 0.38A / 0.24A, Tail: 0.04A / 0.07A,
Indicator: 0.38A / 0.23A,
Reverse: 0.31A / 0.17A, Fog: 0.42A / 0.21A*Overall Size: 350 x 120 x 31mm
Cable Length: 400mm

Voltage Range: 12/24V

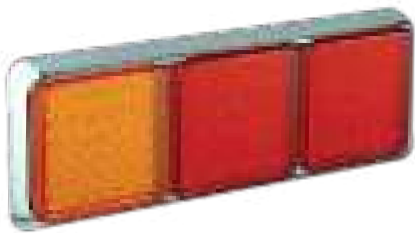
Warranty: 5 years

Ingress Protection: IP67

Approval: ECE & EMC ✓

- 100mm square lamp modules
- Chrome triple surface mounting bracket
- Tough acrylic lenses
- Shock, water & dust proof

- Replacement lamp modules available; 100AMEB, 100RMEB, 100WMEB, 100FMEB



STOP / TAIL / INDICATOR

100CARRME

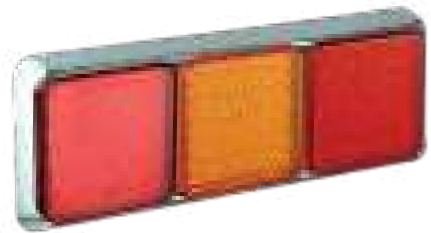
Current Draw (13.8V / 28V):
 Stop: 0.38A / 0.24A, Tail: 0.04A / 0.07A,
 Indicator: 0.38A / 0.23A



STOP / TAIL / INDICATOR / REVERSE

100CRAWME

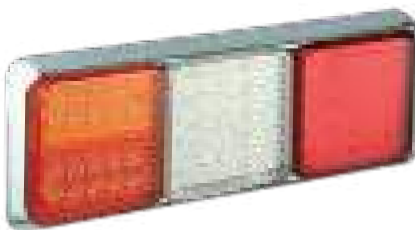
Current Draw (13.8V / 28V):
 Stop: 0.38A / 0.24A, Tail: 0.04A / 0.07A,
 Indicator: 0.38A / 0.23A,
 Reverse: 0.31A / 0.17A



STOP / TAIL / INDICATOR / FOG

100CFARME

Current Draw (13.8V / 28V):
 Stop: 0.38A / 0.24A, Tail: 0.04A / 0.07A,
 Indicator: 0.38A / 0.23A, Fog: 0.42A / 0.21A



STOP / TAIL / INDICATOR / REVERSE / FOG

100CSTIWFMLE

Current Draw (13.8V / 28V):
 Stop: 0.38A / 0.24A, Tail: 0.04A / 0.07A,
 Indicator: 0.38A / 0.23A,
 Reverse: 0.31A / 0.17A, Fog: 0.42A / 0.21A



STOP / TAIL / INDICATOR / REVERSE / FOG

100CSTIWMRE

Current Draw (13.8V / 28V):
 Stop: 0.38A / 0.24A, Tail: 0.04A / 0.07A,
 Indicator: 0.38A / 0.23A,
 Reverse: 0.31A / 0.17A, Fog: 0.42A / 0.21A



REPLACEMENT BRACKETS

100B3B Triple Black Bracket

100B3C Triple Chrome Bracket

QUAD COMBINATION REAR LAMPS

5 year
warranty

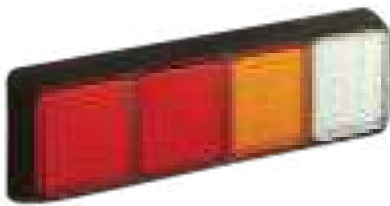
12/24V

IP67

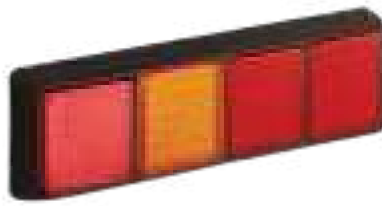
Voltage Range: 12/24V**Warranty:** 5 years**Ingress Protection:** IP67**Approval:** ECE & EMC ✓

- 100mm square lamp modules
- Black quad surface mounting bracket
- Tough acrylic lenses
- Shock, water & dust proof

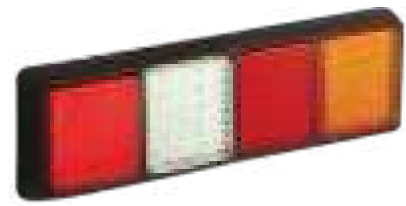
- Replacement lamp modules available; 100AMEB, 100RMEB, 100WMEB, 100FMEB
- Replacement bracket available; 100B4B

**STOP / TAIL / INDICATOR / REVERSE****100BRRAWME**

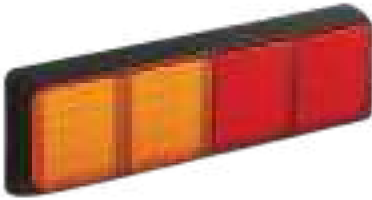
Current Draw (13.8V / 28V):
 Stop: 0.38A / 0.24A, Tail: 0.04A / 0.07A,
 Indicator: 0.38A / 0.23A,
 Reverse: 0.31A / 0.17A

**STOP / TAIL / INDICATOR / FOG****100BFARRME**

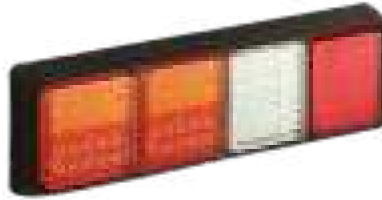
Current Draw (13.8V / 28V):
 Stop: 0.38A / 0.24A, Tail: 0.04A / 0.07A,
 Indicator: 0.38A / 0.23A, Fog: 0.42A / 0.21A

**STOP / TAIL / INDICATOR / REVERSE / FOG****100BFWARME**

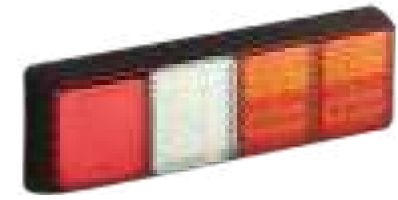
Current Draw (13.8V / 28V):
 Stop: 0.38A / 0.24A, Tail: 0.04A / 0.07A,
 Indicator: 0.38A / 0.23A, Fog: 0.42A / 0.21A,
 Reverse: 0.31A / 0.17A

**STOP / TAIL / INDICATOR****100BAARRME**

Current Draw (13.8V / 28V):
 Stop: 0.38A / 0.24A, Tail: 0.04A / 0.07A,
 Indicator: 0.38A / 0.23A

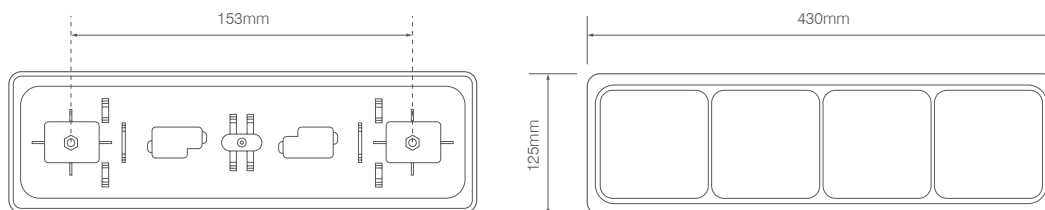
**STOP / TAIL / INDICATOR / REVERSE / FOG****100BSTI2WFMLE**

Current Draw (13.8V / 28V):
 Stop: 0.38A / 0.24A, Tail: 0.04A / 0.07A,
 Indicator: 0.38A / 0.23A, Fog: 0.42A / 0.21A,
 Reverse: 0.31A / 0.17A

**STOP / TAIL / INDICATOR / REVERSE / FOG****100BSTI2WFMRE**

Current Draw (13.8V / 28V):
 Stop: 0.38A / 0.24A, Tail: 0.04A / 0.07A,
 Indicator: 0.38A / 0.23A, Fog: 0.42A / 0.21A,
 Reverse: 0.31A / 0.17A

Overall Size: 430 x 125 x 50mm
 Cable Length: 400mm



125 SERIES

TRIPLE COMBINATION REAR LAMPS

5 year
warranty

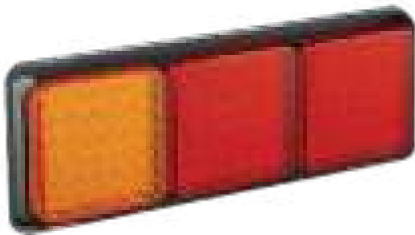
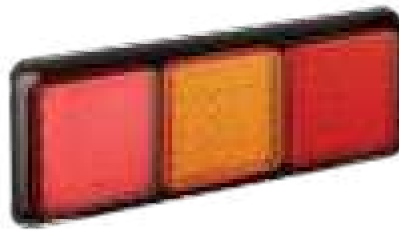
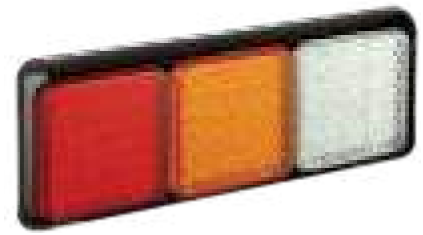
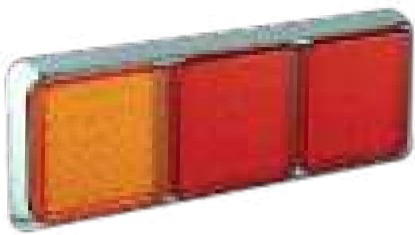
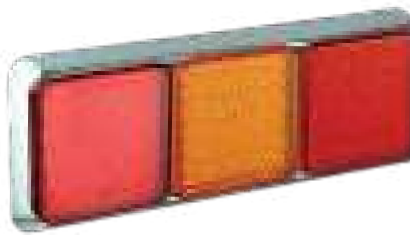
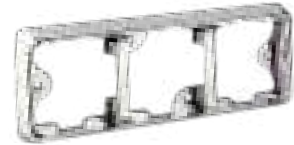
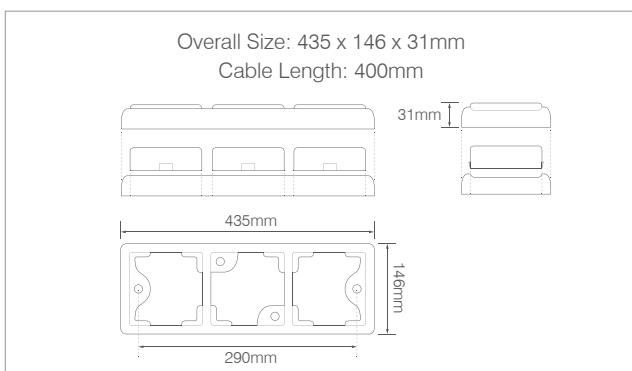
12/24V

IP67

Voltage Range: 12/24V**Warranty:** 5 years**Ingress Protection:** IP67**Approval:** ECE & EMC ✓

- 125mm square lamp modules
- Black or Chrome triple surface mounting bracket
- Tough acrylic lenses
- Shock, water & dust proof

- Replacement lamp modules available; 125AMEB, 125RMEB, 125WMEB, 125FMEB

**STOP / TAIL / INDICATOR****125BARRME** Black*Current Draw (13.8V / 28V):**Stop: 0.42A / 0.26A, Tail: 0.04A / 0.06A,
Indicator: 0.43A / 0.25A***STOP / TAIL / INDICATOR / FOG****125BFARME** Black*Current Draw (13.8V / 28V):**Stop: 0.42A / 0.26A, Tail: 0.04A / 0.06A,
Indicator: 0.43A / 0.25A, Fog: 0.42A / 0.21A***STOP / TAIL / INDICATOR / REVERSE****125BRAWME** Black*Current Draw (13.8V / 28V):**Stop: 0.42A / 0.26A, Tail: 0.04A / 0.06A,
Indicator: 0.43A / 0.25A,
Reverse: 0.36A / 0.18A***STOP / TAIL / INDICATOR****125CARRME** Chrome*Current Draw (13.8V / 28V):**Stop: 0.42A / 0.26A, Tail: 0.04A / 0.06A,
Indicator: 0.43A / 0.25A***STOP / TAIL / INDICATOR / FOG****125CFARME** Chrome*Current Draw (13.8V / 28V):**Stop: 0.42A / 0.26A, Tail: 0.04A / 0.06A,
Indicator: 0.43A / 0.25A, Fog: 0.42A / 0.21A***STOP / TAIL / INDICATOR / REVERSE****125CRAWME** Chrome*Current Draw (13.8V / 28V):**Stop: 0.42A / 0.26A, Tail: 0.04A / 0.06A,
Indicator: 0.43A / 0.25A,
Reverse: 0.36A / 0.18A***REPLACEMENT BRACKETS****125B3B** Triple Black Bracket**125B3C** Triple Chrome Bracket

DOUBLE SLIMLINE COMBINATION REAR LAMPS

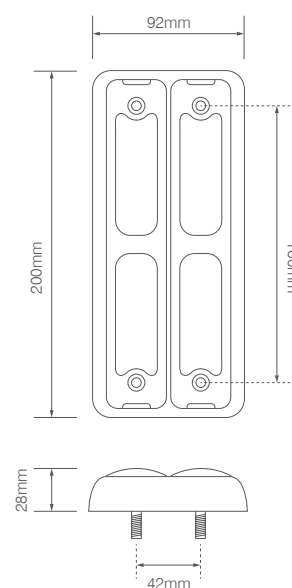
5 year
warranty

12/24V

IP67

Voltage Range: 12/24V**Warranty:** 5 years**Ingress Protection:** IP67**Approval:** ECE & EMC ✓

- Slimline lamp modules
- Double surface mounting bracket
- Tough acrylic lenses
- Shock, water & dust proof

Overall Size: 200 x 92 x 28mm
Cable Length: 400mm

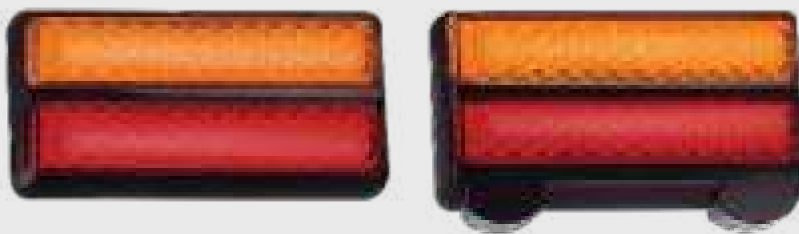
STOP / TAIL / INDICATOR

200BARME Black**200CARME** Chrome

Current Draw (13.8V / 28V):

Stop: 0.32A / 0.18A, Tail: 0.04A / 0.04A, Indicator: 0.34A / 0.19A

BOAT TRAILER LAMP KIT

**Voltage Range:**

12/24V

Warranty: 5 years**Ingress Protection:** IP67**Approval:** ECE & EMC ✓harness
system
compatible

- Fully submersible
- Specially designed for boat trailers
- Cable harness system compatible

Kit includes:

1x Stop/Tail/Indicator +

1x Stop/Tail/Indicator/Number
Plate Lamp

STOP / TAIL / INDICATOR WITH NUMBER PLATE LAMP

200BARLPM2E Set of Two Lamps

Current Draw (13.8V / 28V):

Stop: 0.32A / 0.18A, Tail/Number Plate: 0.04A / 0.04A, Indicator: 0.34A / 0.19A



Voltage Range: 12V

Warranty: 5 years

Ingress Protection: IP67

Approval: ECE & EMC ✓

- Slimline lamp modules
- Double surface mounting bracket
- Tough acrylic lenses
- Shock, water & dust proof



STOP / TAIL / INDICATOR

207BARPE

Current Draw (13.8V):

Stop: 0.18A, Tail: 0.07A, Indicator: 0.17A

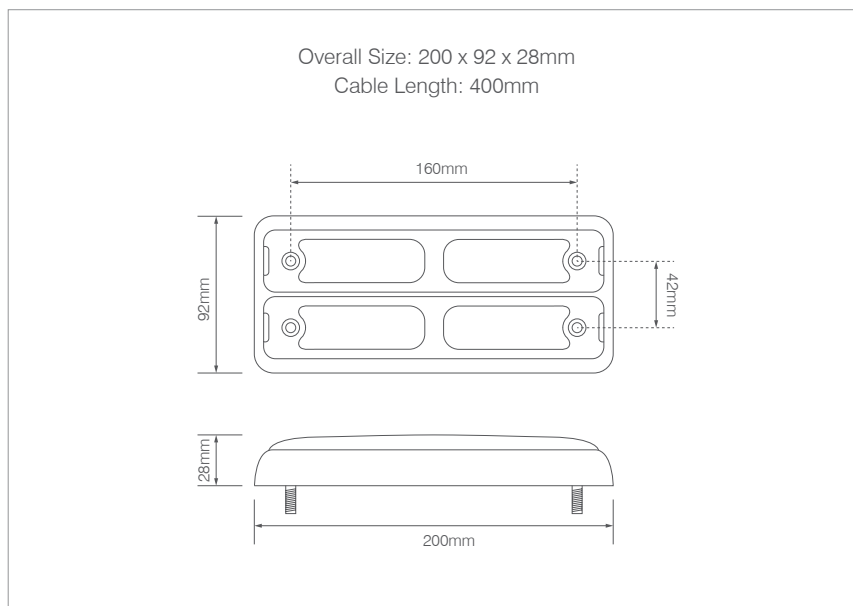


REPLACEMENT BRACKETS*

200B2B Double Black Bracket

200B2C Double Chrome Bracket

*Fits 200 & 207 series lamp modules



TRIPLE SLIMLINE COMBINATION REAR LAMPS

**Voltage Range:** 12/24V**Warranty:** 5 years**Ingress Protection:** IP67**Approval:** ECE & EMC ✓

- Slimline lamp modules
- Triple surface mounting bracket
- Available in black or chrome
- Tough acrylic lenses
- Shock, water & dust proof

**STOP / TAIL / INDICATOR****200BARRME** Black**200CARRME** Chrome

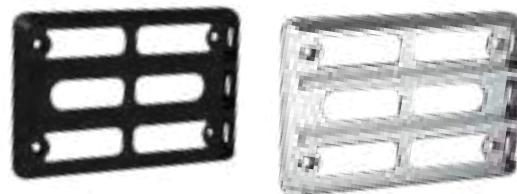
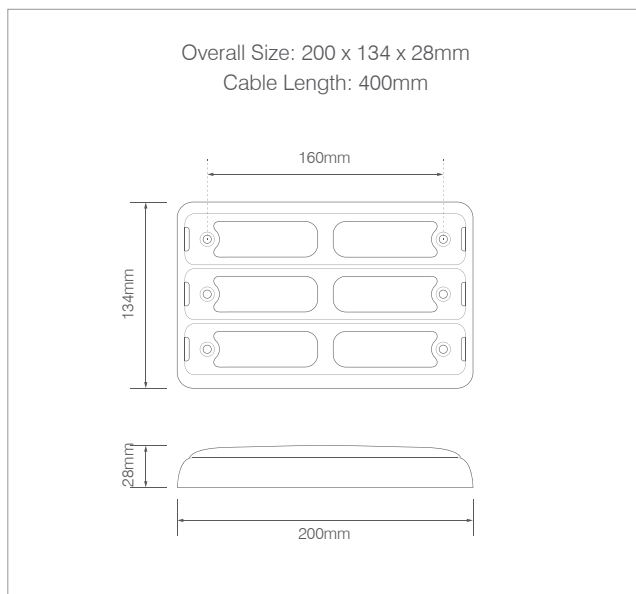
Current Draw (13.8V / 28V):

Stop: 0.32A / 0.18A, Tail: 0.04A / 0.04A, Indicator: 0.34A / 0.19A

STOP / TAIL / INDICATOR / REVERSE**200BARWME** Black**200CARWME** Chrome

Current Draw (13.8V / 28V):

Stop: 0.32A / 0.18A, Tail: 0.04A / 0.04A, Indicator: 0.34A / 0.19A, Reverse: 0.17A / 0.18A

**REPLACEMENT BRACKETS****200B3B** Triple Black Bracket**200B3C** Triple Chrome Bracket

Voltage Range: 12/24V

Warranty: 5 years

Ingress Protection: IP67

Approval: ECE & EMC ✓

- Specialist extra-large rear lamp
- Nine individual 200 series lamp modules
- Available in black or chrome
- Tough acrylic lenses
- Shock, water & dust proof



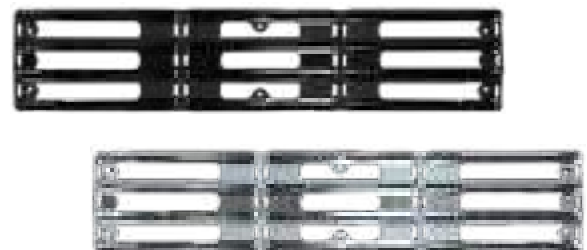
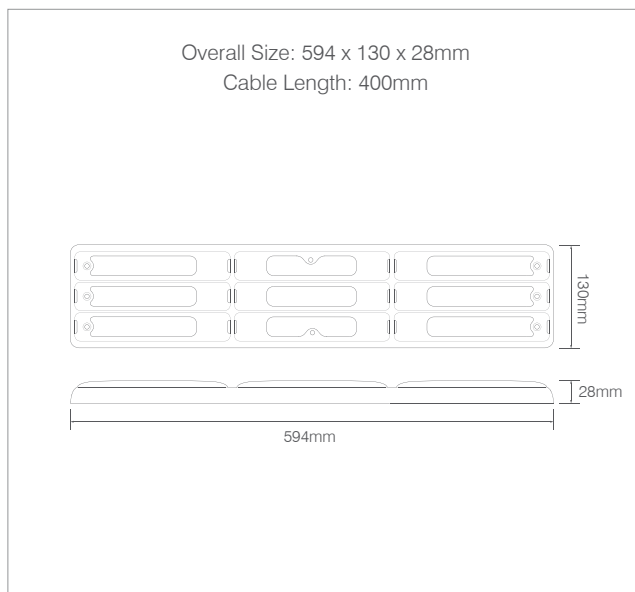
STOP / TAIL / INDICATOR

J9BARRME Black

J9CARRME Chrome

Current Draw (13.8V / 28V):

Stop: 1.92A / 1.08A, Tail: 0.24A / 0.24A, Indicator: 1.17A / 0.57A



REPLACEMENT BRACKETS

J9B 9-Lamp Black Bracket

J9C 9-Lamp Chrome Bracket

RECTANGULAR MODULAR REAR LAMPS

**Voltage Range:** 12/24V**Warranty:** 5 years**Ingress Protection:** IP67**Approval:** ECE & EMC ✓

- Rectangular modular lamps
- Mounting accessories available
- Tough acrylic lenses
- Shock, water & dust proof

**INDICATOR****130AME**

Current Draw (13.8V / 28V):
0.2A / 0.14A

**STOP / TAIL****130RME**

Current Draw (13.8V / 28V):
Stop: 0.15A / 0.12A, Tail: 0.07A / 0.04A

**REVERSE****130WME**

Current Draw (13.8V / 28V):
0.15A / 0.08A

**FOG****130FME**

Current Draw (13.8V / 28V):
0.42A / 0.2A

ACCESSORIES**59401B**

Steel Flange

**59401C**

Chrome Flange

**59401**

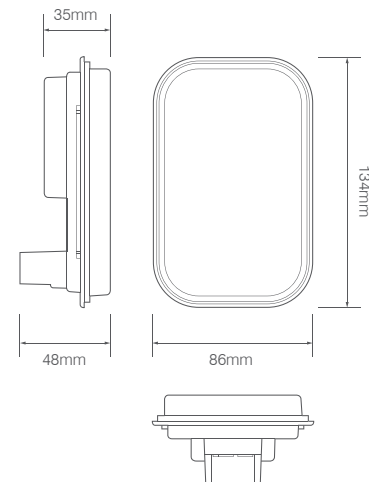
Rubber Grommet

**53102**

3-Pin Plug

Overall Size: 134 x 86 x 48mm

Cut Out Size: 139 x 91mm



110 SERIES ROUND MODULAR REAR LAMPS



Voltage Range: 12/24V

Warranty: 5 years

Ingress Protection: IP67

Approval: ECE & EMC ✓

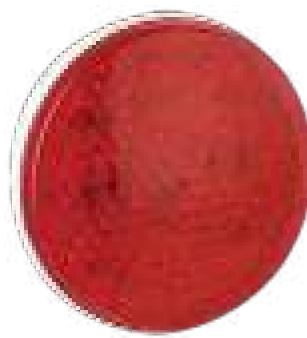
- Round modular lamps
- Mounting accessories available
- Tough acrylic lenses
- Shock, water & dust proof



INDICATOR

110AME

Current Draw (13.8V / 28V):
0.16A / 0.13A



STOP / TAIL

110RME

Current Draw (13.8V / 28V):
Stop: 0.23A / 0.14A, Tail: 0.08A / 0.02A



REVERSE

110WME

Current Draw (13.8V / 28V):
0.21A / 0.15A



FOG

110FME

Current Draw (13.8V / 28V):
0.41A / 0.2A

ACCESSORIES



53101B
Steel Flange



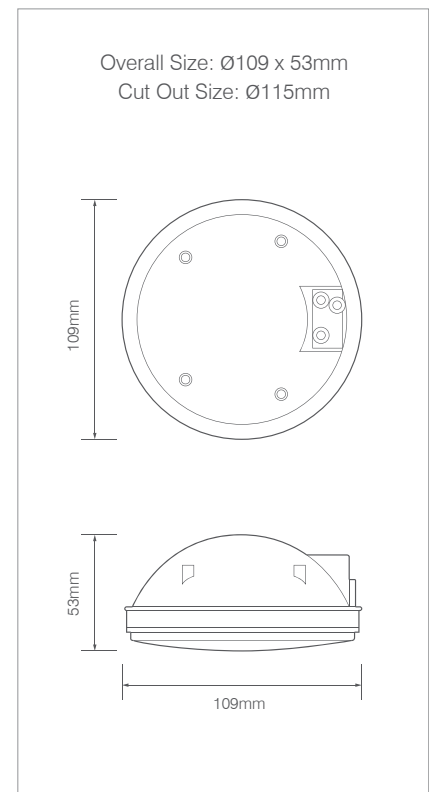
53101C
Chrome Flange



53101
Rubber Grommet



53102
3-Pin Plug



235 SERIES REAR STRIP LAMPS



Voltage Range: 12V or 24V

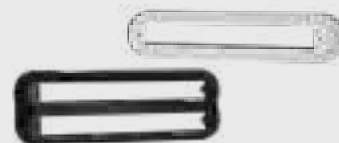
Warranty: 5 years

Ingress Protection: IP67

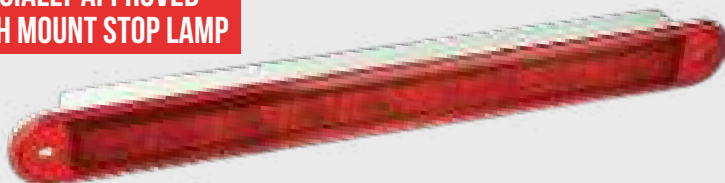
Approval: ECE & EMC ✓

- Super slimline design
- Highly durable
- Shock, water & dust proof
- Designed to be recess mounted, or surface mounted with bracket

- Range of surface mount brackets available, see p.050



SPECIALY APPROVED HIGH MOUNT STOP LAMP



HIGH MOUNT STOP LAMP

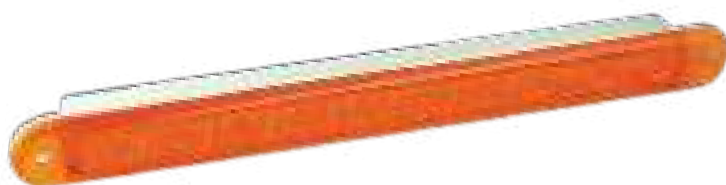
NEW 235RHMME 12/24V

235RHM12E 12V

235RHM24E 24V



Current Draw (13.8V / 28V): 0.16A / 0.09A

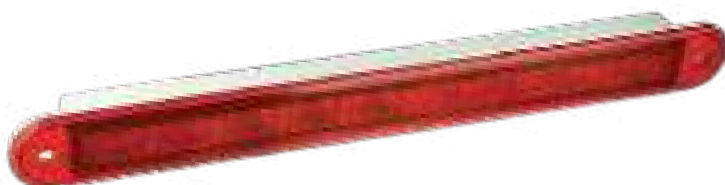


INDICATOR

235A12E 12V

235A24E 24V

Current Draw (13.8V / 28V):
0.18A / 0.12A



STOP / TAIL

235R12E 12V

235R24E 24V

Current Draw (13.8V / 28V):
Stop: 0.16A / 0.13A, Tail: 0.04A / 0.05A



REVERSE

235W12E 12V

235W24E 24V

Current Draw (13.8V / 28V):
0.24A / 0.07A

Overall Size: 237 x 25 x 16mm

Cable Length: 400mm



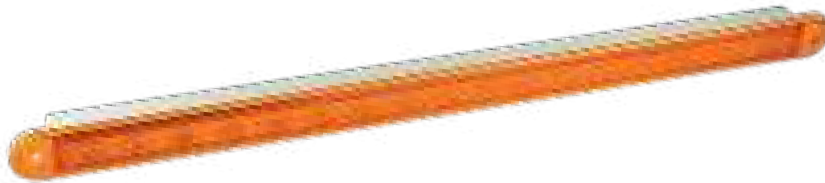
380 SERIES REAR STRIP LAMPS



Voltage Range: 12V or 24V
Warranty: 5 years
Ingress Protection: IP67
Approval: ECE & EMC ✓

- Super slimline design
- Highly durable
- Shock, water & dust proof
- Designed to be recess mounted, or surface mounted with bracket

- Range of surface mount brackets available, see p.050



INDICATOR

380A12E 12V
380A24E 24V

Current Draw (13.8V / 28V):
 0.18A / 0.1A



STOP / TAIL

380R12E 12V
380R24E 24V

Current Draw (13.8V / 28V):
 Stop: 0.16A / 0.12A, Tail: 0.04A / 0.01A

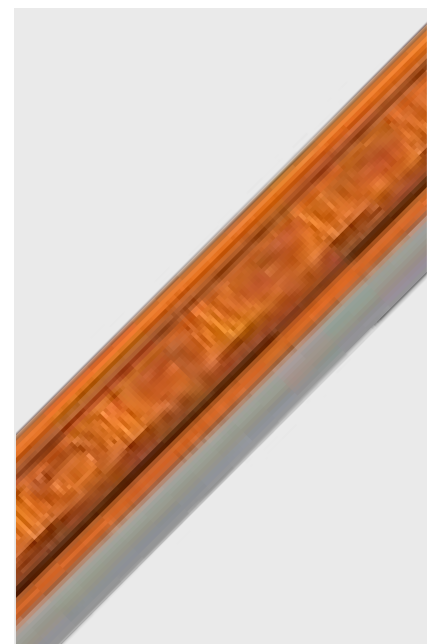


ILLUMINATION LAMP / SUPPLEMENTARY REVERSE Non-ECE

380W12 12V
380W24 24V

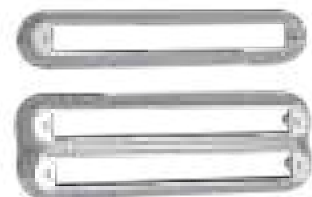
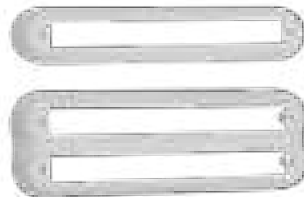
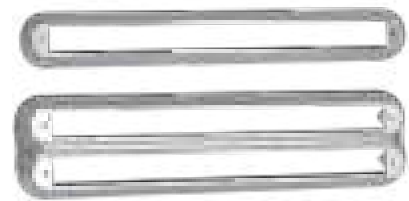
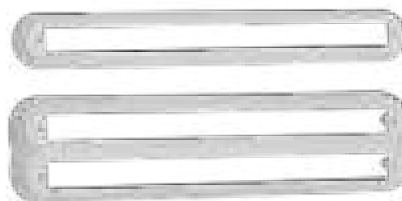
Current Draw (13.8V):
 0.14A / 0.09A

Overall Size: 383 x 25 x 16mm
 Cable Length: 400mm

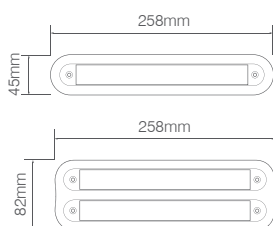


235 & 380 SERIES**STRIP LAMP SURFACE MOUNTING BRACKETS**

- Specially designed surface mounting brackets allow for the 235 and 380 series strip lamps to be easily mounted individually or in a double combination formation
- Brackets available in black, white and chrome colour choice

**BLACK****235B1B** Single**235B2B** Double**WHITE****235W1B** Single**235W2B** Double**CHROME****235C1B** Single**235C2B** Double**BLACK****380B1B** Single**380B2B** Double**WHITE****380W1B** Single**380W2B** Double**CHROME****380C1B** Single**380C2B** Double

Overall Size Single: 258 x 45 x 16mm
 Overall Size Double: 258 x 82 x 16mm



Overall Size Single: 404 x 36 x 16mm
 Overall Size Double: 404 x 82 x 16mm



Voltage Range: 12V/24V
Warranty: 5 years
Ingress Protection: IP67
Approval: ECE & EMC ✓

• **Daytime Running Lamp Kit includes:**
2 x Daytime Running Lamps
1 x Wiring Loom

- Enhanced daytime visibility
- Automatically turns on with ignition and off when headlights are activated
- ECE R87 road approved

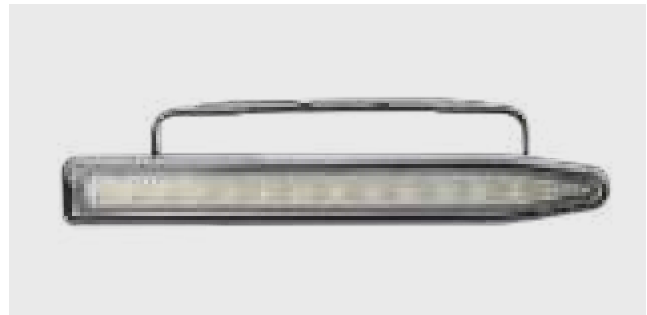


NEW

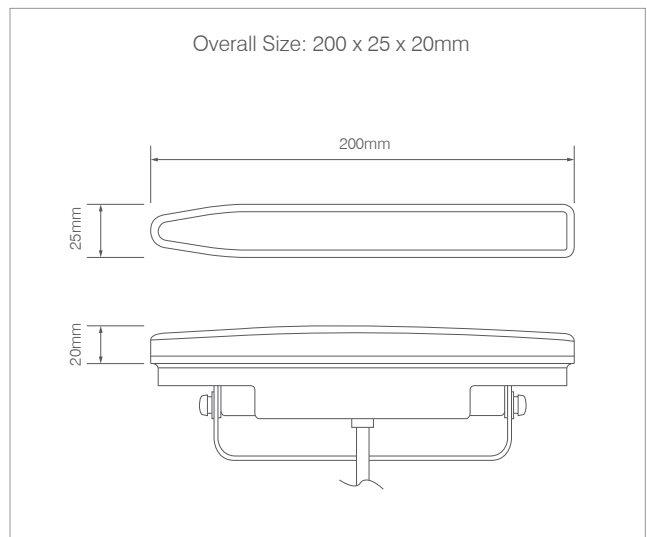
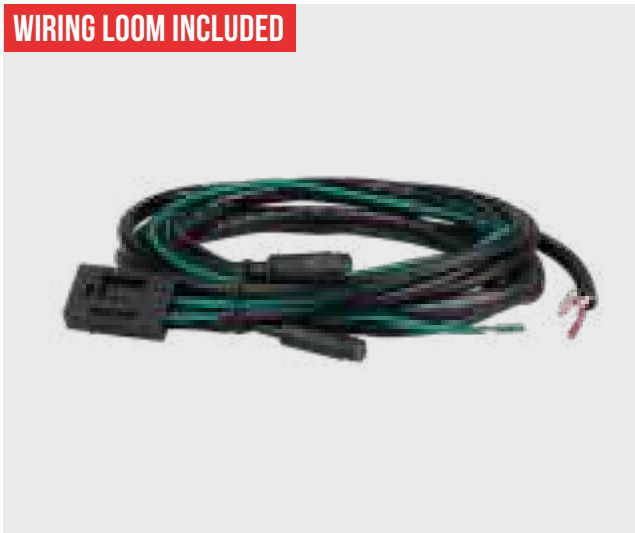
DAYTIME RUNNING LAMP KIT

LEDRL2

Current Draw (13.8V / 28V):
Indicator: 0.17A / 0.9A



WIRING LOOM INCLUDED



FRONT INDICATOR / MARKER LAMPS

**Voltage Range:** 12/24V**Warranty:** 5 years**Ingress Protection:** IP67**Approval:** ECE & EMC ✓

- Front indicator lamp with combined front marker function
- Slimline design with signature diamond pattern lens
- Highly durable
- Available in surface or recess mount
- Shock, water & dust proof

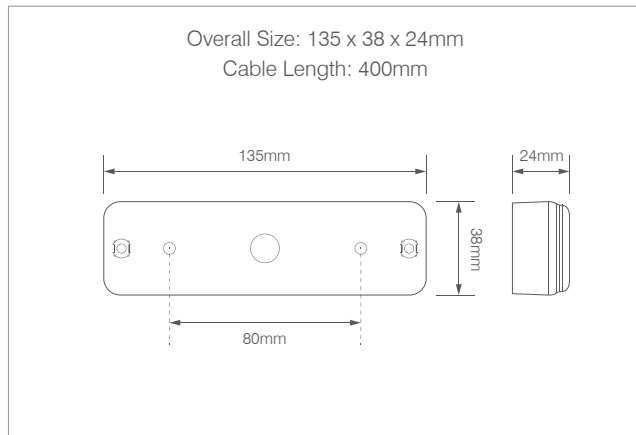


FRONT INDICATOR / MARKER

135AWME Surface Mount

Current Draw (13.8V / 28V):

Indicator: 0.27A / 0.15A, Marker: 0.02A / 0.01A

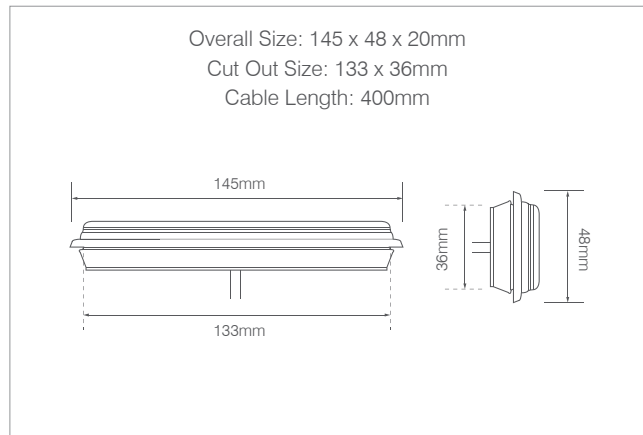


FRONT INDICATOR / MARKER

135AWMGE Recess Mount

Current Draw (13.8V / 28V):

Indicator: 0.27A / 0.15A, Marker: 0.02A / 0.01A



REPLACEMENT BRACKETS

135B Surface Mount Bracket**135C** Recess Mount Grommet

Voltage Range: 12V or 24V

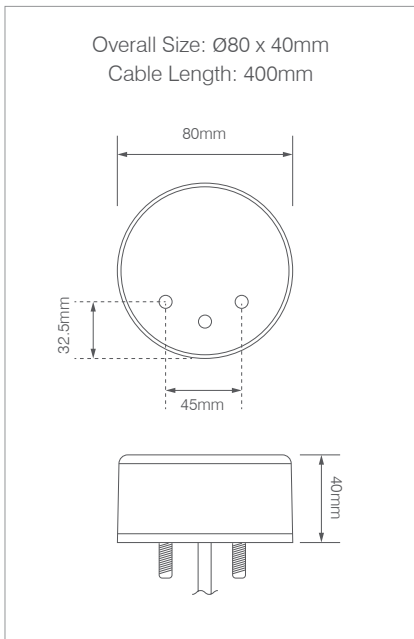
Warranty: 5 years

Ingress Protection: IP67

Approval: ECE & EMC ✓

- Front indicator lamp with combined front marker function and optional daytime running lamp function (when fitted in combination with DRLHOTDOG wiring component)
- Shock, water & dust proof
- Highly efficient – low current draw

34x HIGH-BRIGHTNESS LEDs



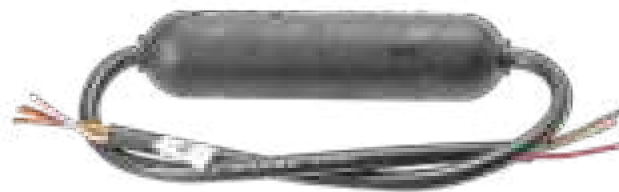
FRONT INDICATOR / MARKER LAMP

80AW12 12V

80AW24 24V

Current Draw (13.8V / 28V):

Indicator: 0.32A / 0.15A, Marker: 0.03A / 0.02A, DRL: 0.03A / 0.03A



DAYTIME RUNNING LAMP WIRING COMPONENT

DRLHOTDOG

! Lamp must be used in combination with DRLHOTDOG for approved use of daytime running lamp function

7312 SERIES REVERSE APPROVED WORK LAMPS



Voltage Range: 12/24V

Warranty: 5 years

Lumens: Raw: 660lm, Effective: 489lm

Ingress Protection: IP67

Approval: ECE R23 (reverse function) & EMC ✓



5 year
warranty

IP67



5 year
warranty

IP67

NEW

REVERSE

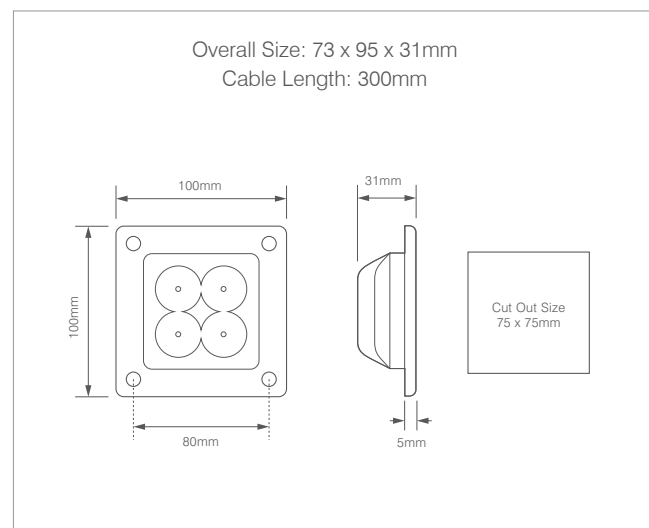
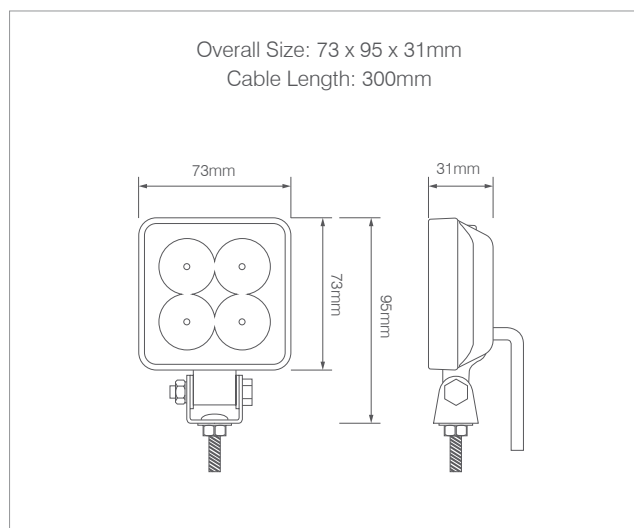
7312BM

Current Draw (13.8V / 28V):
0.59A / 0.27A

REVERSE

73120BM

Current Draw (13.8V / 28V):
0.59A / 0.27A



10015 & 896 SERIES REVERSE APPROVED WORK LAMPS



10015BM:

Voltage Range: 12/24V

Warranty: 2 years

Lumens: Raw: 1710lm, Effective: 1210lm

Ingress Protection: IP69K

Approval: ECE R23 (reverse function) & EMC ✓

896BM:

Voltage Range: 12/24V

Warranty: 2 years

Lumens: Raw: 1440lm, Effective: 806lm

Ingress Protection: IP67

Approval: ECE R23 (reverse function) & EMC ✓



NEW



NEW

REVERSE

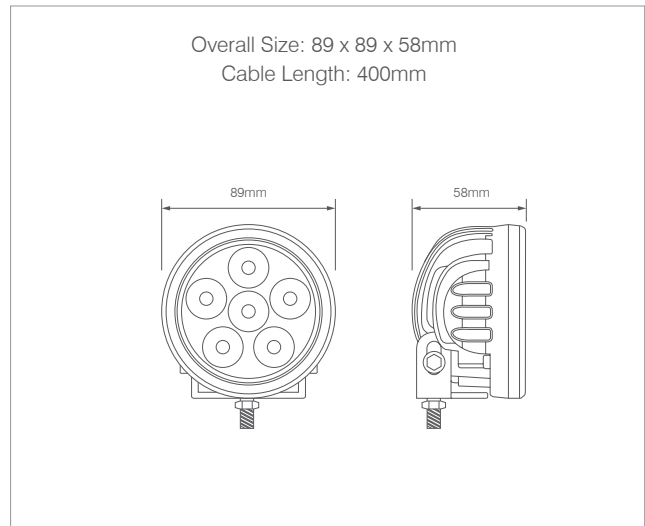
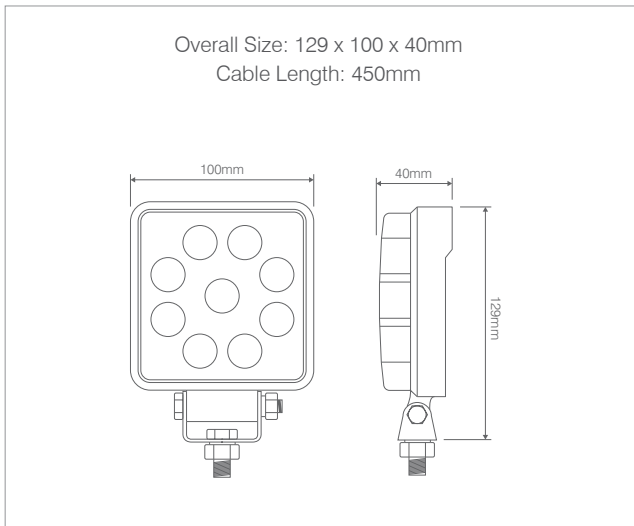
10015BM

Current Draw (13.8V / 28V):
1.1A / 0.5A

REVERSE

896FBM

Current Draw (13.8V / 28V):
1.46A / 0.7A



3102 SERIES CAT. 6 SIDE INDICATOR



Voltage Range: 12/24V

Warranty: 5 years

Ingress Protection: IP67

Approval: ECE & EMC ✓

- Category 6 side indicator
- Suitable for M2–M3, N1 class vehicles over 6 meters, and all N2–N3 class vehicles
- Available with black or chrome bracket
- Shock, water & dust proof



CAT. 6 SIDE INDICATOR

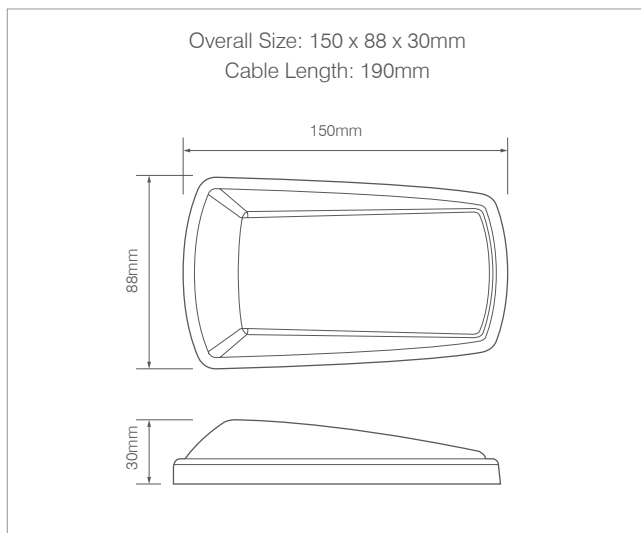
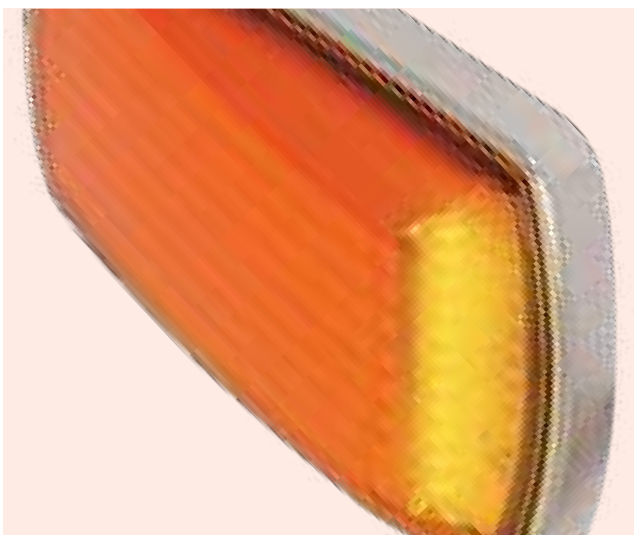
3102BM Black

Current Draw (13.8V / 28V):
0.02A / 0.1A

CAT. 6 SIDE INDICATOR

3102CM Chrome

Current Draw (13.8V / 28V):
0.02A / 0.1A



Voltage Range: 12/24V

Warranty: 5 years

Ingress Protection: IP67

Approval: ECE & EMC ✓

- Category 5 side indicators
- Suitable for M2–M3, N1 class vehicles less than 6 meters, and all M1 vehicles
- Compact design with highly durable lenses
- Available with black or chrome bracket
- Shock, water & dust proof



SIDE INDICATOR

35AME Black

35CAME Chrome

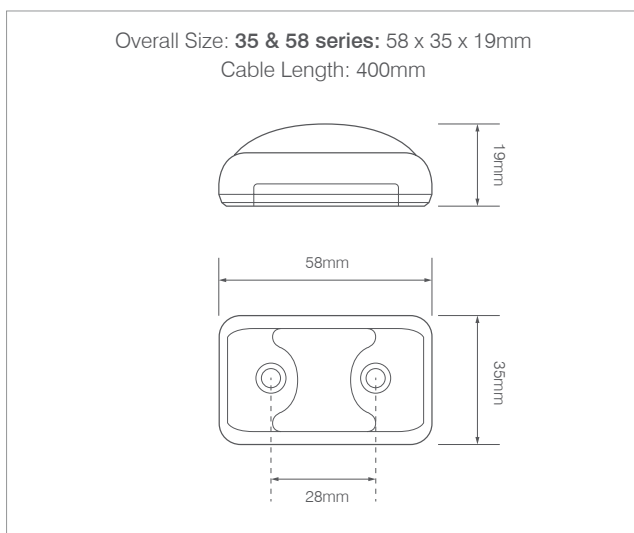
Current Draw (13.8V / 28V):
0.1A / 0.07A

SIDE INDICATOR

58AME Black

58CAME Chrome

Current Draw (13.8V / 28V):
0.1A / 0.04A



35 SERIES MARKER LAMPS



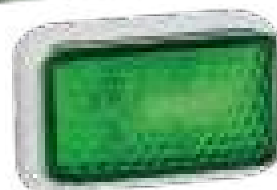
Voltage Range: 12/24V

Warranty: 5 years

Ingress Protection: IP67

Approval: ECE & EMC ✓

- Compact design
- Surface Mounted
- Highly durable lenses
- Available with black or chrome bracket
- Shock, water & dust proof



REAR MARKER

35RME Black

35CRME Chrome

Current Draw (13.8V / 28V):
0.12A / 0.07A

FRONT MARKER

35WME Black

35CWME Chrome

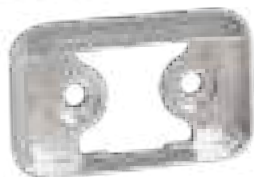
Current Draw (13.8V / 28V):
0.05A / 0.04A

GREEN MARKER

35GME Black

35CGME Chrome

Current Draw (13.8V / 28V):
0.04A / 0.02A



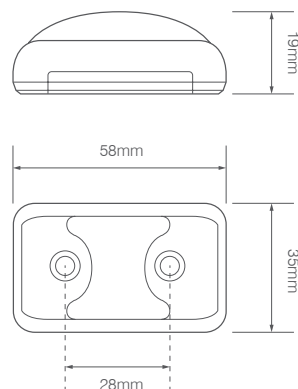
REPLACEMENT BRACKETS*

35BB Black

35BCB Chrome

*Suitable for 35 & 58 series lamps

Overall Size: 58 x 35 x 19mm
Cable Length: 400mm



58 SERIES MARKER LAMPS



Voltage Range: 12/24V

Warranty: 5 years

Ingress Protection: IP67

Approval: ECE & EMC ✓

- Compact design
- Surface Mounted
- Highly durable lenses
- Available with black or chrome bracket
- Shock, water & dust proof



SIDE MARKER

58AM-1E Black

58CAM-1E Chrome

Current Draw (13.8V / 28V):
0.1A / 0.04A



REAR MARKER

58RME Black

58CRME Chrome

Current Draw (13.8V / 28V):
0.12A / 0.04A



FRONT MARKER

58WME Black

58CWME Chrome

Current Draw (13.8V / 28V):
0.05A / 0.03A



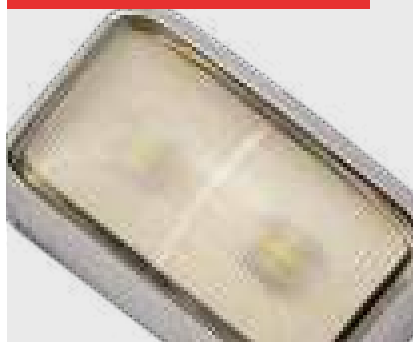
GREEN MARKER

58GME Black

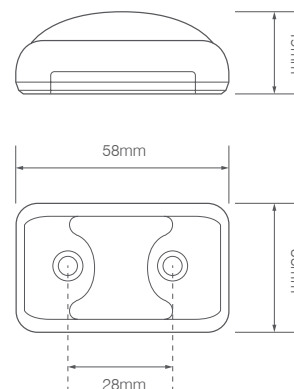
58CGME Chrome

Current Draw (13.8V / 28V):
0.04A / 0.02A

NEW IMPROVED LENS PATTERN



Overall Size: 58 x 35 x 19mm
Cable Length: 400mm



EU38 SERIES LOW-PROFILE MARKER LAMPS

5 year
warranty

12/24V

IP67

CLICK
& STICKharness
system
compatible

Voltage Range: 12/24V

Warranty: 5 years

Ingress Protection: IP67

Approval: ECE & EMC ✓

- Modern design
- Integrated reflex reflector
- Shock, water & dust proof
- Signature diamond pattern lens
- Low-profile – only 13mm depth

CLICK & STICK MOUNTING SYSTEM

See p.iv-v for more information



SIDE MARKER / REFLECTOR

EU38AM

Current Draw (13.8V / 28V):
0.01A / 0.01A

REAR MARKER / REFLECTOR

EU38RM

Current Draw (13.8V / 28V):
0.01A / 0.01A

FRONT MARKER / REFLECTOR

EU38WM

Current Draw (13.8V / 28V):
0.01A / 0.01A



PENDANT MOUNTING BRACKETS

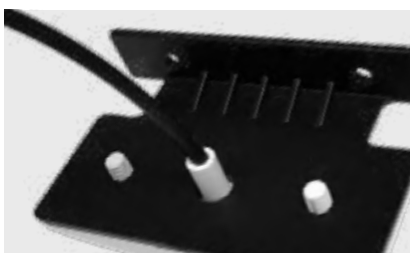
EU38BKT Horizontal

EU38BKTV Vertical

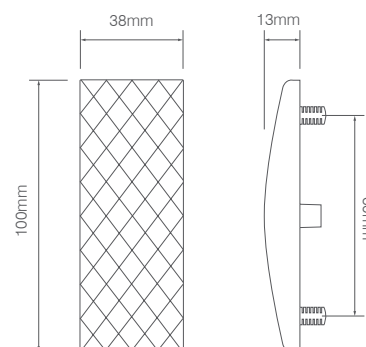
DIAMOND PATTERN LENS



CLICK & STICK
MOUNTING SYSTEM



Overall Size: 100 x 38 x 13mm
Cable Length: 350mm



37 SERIES MARKER LAMPS



Voltage Range: 12/24V

Warranty: 5 years

Ingress Protection: IP67

Approval: ECE & EMC ✓

- Compact curved marker lamp
- Easy installation
- Highly efficient – low current draw
- Shock, water & dust proof

CLICK & STICK MOUNTING SYSTEM

See p.iv-v for more information



SIDE MARKER

- 37AM2P** Black
- 37CAM2P** Chrome

Current Draw (13.8V / 28V):
0.03A / 0.02A

REAR MARKER

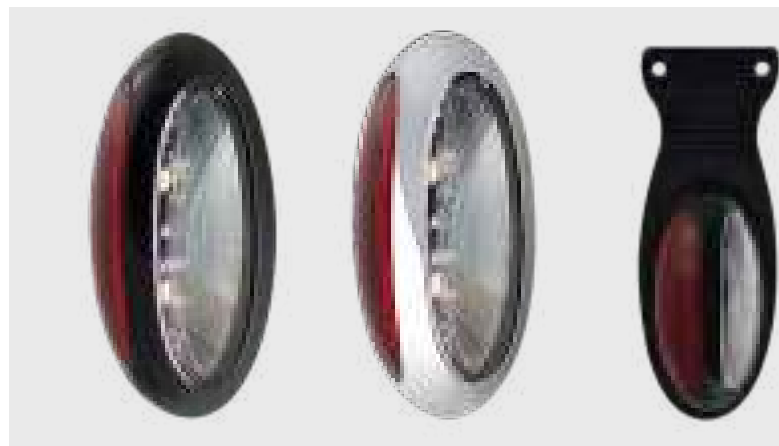
- 37RM2P** Black
- 37CRM2P** Chrome

Current Draw (13.8V / 28V):
0.03A / 0.02A

FRONT MARKER

- 37WM2P** Black
- 37CWM2P** Chrome

Current Draw (13.8V / 28V):
0.03A / 0.02A



FRONT / REAR MARKER

- 37RWM** Black
- 37CRWM** Chrome

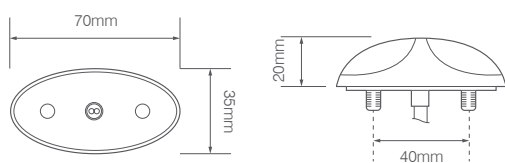
Current Draw (13.8V / 28V):
0.04A / 0.04A

PENDANT MOUNTING BRACKET

- 37RWMBKT**

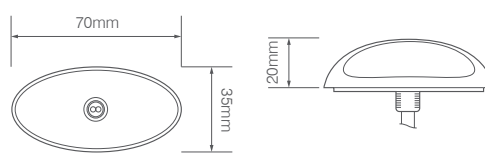
37AM / 37RM / 37WM:

Overall Size: 70 x 35 x 20mm
Cable Length: 100mm



37RWM:

Overall Size: 70 x 35 x 20mm
Cable Length: 300mm



LOW-PROFILE MARKER LAMPS



Voltage Range: 12/24V

Warranty: 5 years

Ingress Protection: IP67

Approval: ECE & EMC ✓

- Low-profile – only 12mm depth
- Integrated reflex reflector
- Best selling marker lamp
- Highly efficient – low current draw

- Highly durable
- Shock, water & dust proof
- Available in black or white
- Surface mounted

**SIDE MARKER / REFLECTOR**

44AME Black

44WAME White

Current Draw (13.8V / 28V):
0.02A / 0.03A

REAR MARKER / REFLECTOR

44RME Black

44WRME White

Current Draw (13.8V / 28V):
0.02A / 0.03A

FRONT MARKER / REFLECTOR

44WME Black

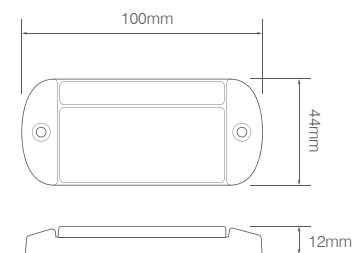
44WWME White

Current Draw (13.8V / 28V):
0.02A / 0.03A

**PENDANT MOUNTING BRACKET**

44BKT

Overall Size: 100 x 44 x 12mm
Cable Length: 500mm



1490 & 1491 SERIES MARKER LAMPS



Voltage Range: 12/24V

Warranty: 5 years

Ingress Protection: IP67

Approval: ECE & EMC ✓

- Integrated reflex reflector
- Shock, water & dust proof
- Choice of surface mount or pendant bracket mount



SIDE MARKER / REFLECTOR

1491AM Pendant Mounting Bracket

REAR MARKER / REFLECTOR

1491RM Pendant Mounting Bracket

FRONT MARKER / REFLECTOR

1491WM Pendant Mounting Bracket



SIDE MARKER / REFLECTOR

1490AM Surface Mount

Current Draw (13.8V / 28V):
0.05A / 0.07A

REAR MARKER / REFLECTOR

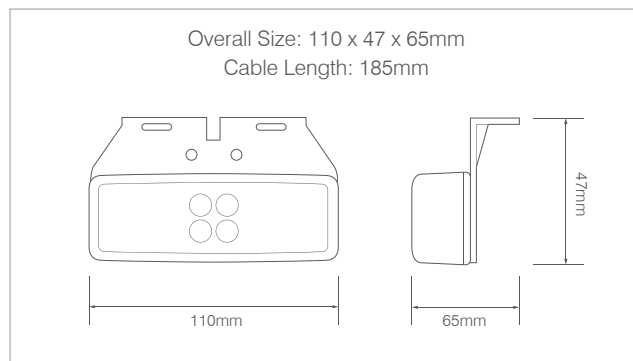
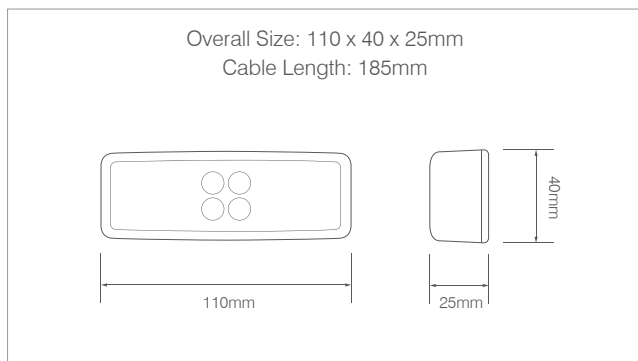
1490RM Surface Mount

Current Draw (13.8V / 28V):
0.05A / 0.07A

FRONT MARKER / REFLECTOR

1490WM Surface Mount

Current Draw (13.8V / 28V):
0.05A / 0.04A



LOW-PROFILE MARKER LAMPS



Voltage Range: 12/24V

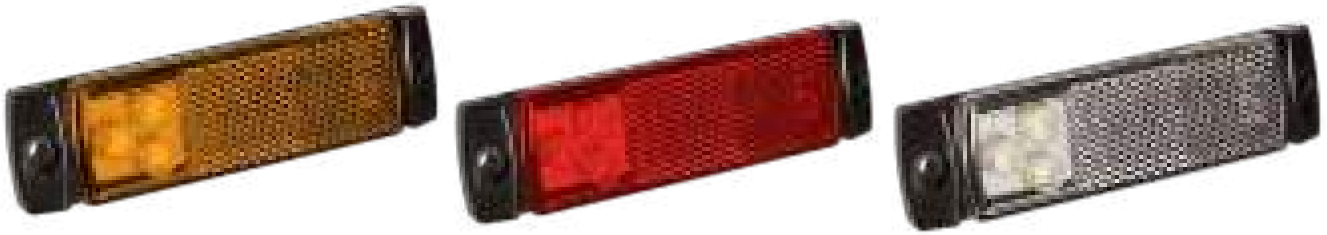
Warranty: 2 years

Ingress Protection: IP67

Approval: ECE & EMC ✓

- Slimline design
- Low-profile – only 12mm depth
- Integrated reflex reflector
- Shock, water & dust proof

- Surface mounted
- Highly efficient – low current draw

**SIDE MARKER / REFLECTOR****129AM**

Current Draw (13.8V / 28V):
0.03A / 0.04A

REAR MARKER / REFLECTOR**129RM**

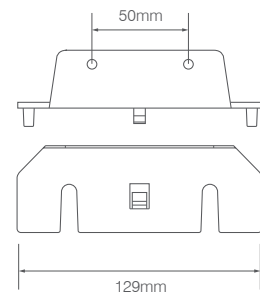
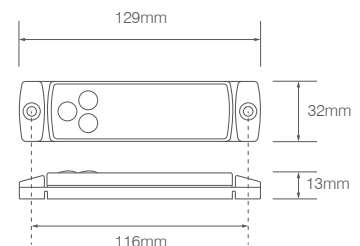
Current Draw (13.8V / 28V):
0.01A / 0.01A

FRONT MARKER / REFLECTOR**129WM**

Current Draw (13.8V / 28V):
0.01A / 0.01A

**PENDANT MOUNTING BRACKET****129BKT**

Overall Size: 129 x 32 x 13mm
Cable Length: 500mm



181 SERIES ROUND MARKER LAMPS



Voltage Range: 12V or 12/24V

Warranty: 5 years

Ingress Protection: IP67

Approval: ECE & EMC ✓

• Recess mounted small round marker lamps

• Shock, water & dust proof

• Includes rubber mounting grommet

NEW 12V-only version now available

NEW Chrome bezel accessory now available



Images shown actual size



SIDE MARKER

181AME 12/24V

181A12E 12V **NEW**

Current Draw (13.8V / 28V):
0.03A / 0.03A

REAR MARKER

181RME 12/24V

181R12E 12V **NEW**

Current Draw (13.8V / 28V):
0.03A / 0.03A

FRONT MARKER

181WME 12/24V

181W12E 12V **NEW**

Current Draw (13.8V / 28V):
0.03A / 0.03A



NEW

GREEN MARKER

181GME 12/24V

Current Draw (13.8V / 28V):
0.03A / 0.03A

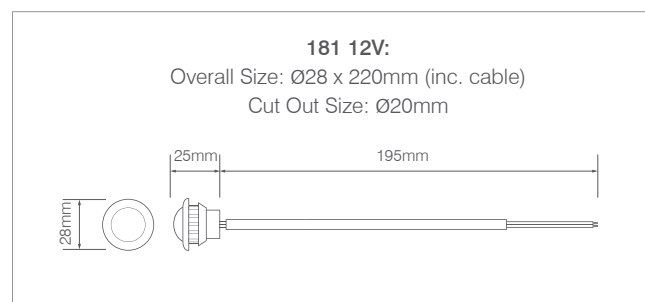
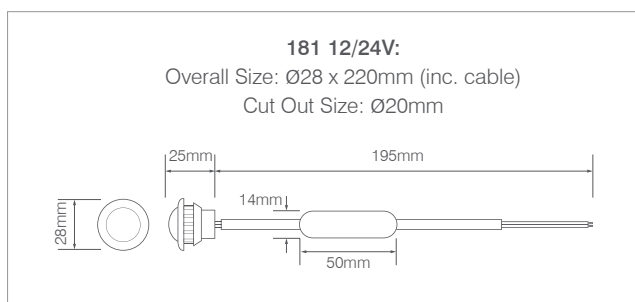
BLUE MARKER

181BME 12/24V

Current Draw (13.8V / 28V):
0.03A / 0.03A

CHROME BEZEL

181C



7922 SERIES MARKER LAMPS



Voltage Range: 12/24V

Warranty: 5 years

Ingress Protection: IP67

Approval: ECE & EMC ✓

- Recess mounted marker lamp
- Compact design – exclusive to LED Autolamps
- Fully sealed electronics
- Screw mounted – fixings and gasket included



NEW

SIDE MARKER

7922AM2 Twin Pack

7922AMB Single Pack

Current Draw (13.8V / 28V):
0.04A / 0.04A



NEW

REAR MARKER

7922RM2 Twin Pack

7922RMB Single Pack

Current Draw (13.8V / 28V):
0.04A / 0.04A



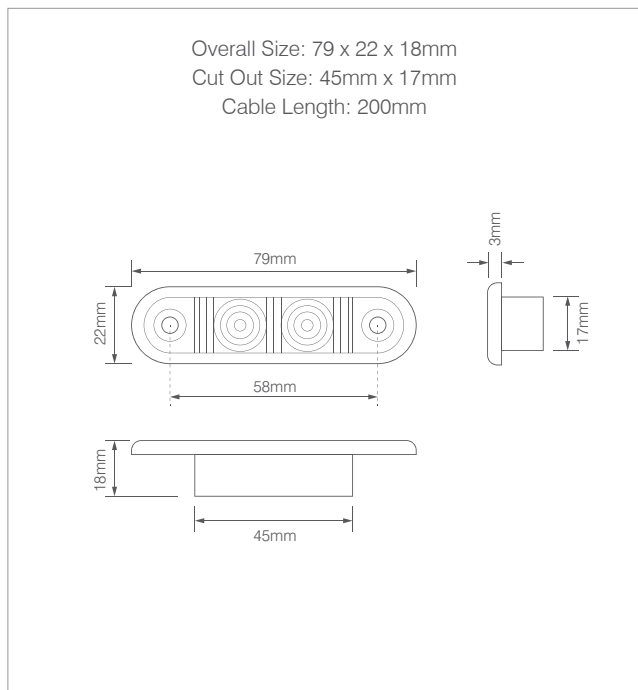
NEW

FRONT MARKER

7922WM2 Twin Pack

7922WMB Single Pack

Current Draw (13.8V / 28V):
0.04A / 0.04A



Voltage Range: 12/24V

Warranty: 5 years

Ingress Protection: IP67

Approval: ECE & EMC ✓

- Rubber marker lamps – front and rear position with optional side marker
- Durable rubber housing designed for hard-working vehicles
- Shock, water & dust proof
- Highly efficient – low current draw



FRONT / REAR MARKER

1004LE Left

1004RE Right

Current Draw (13.8V / 28V):
0.04A / 0.04A



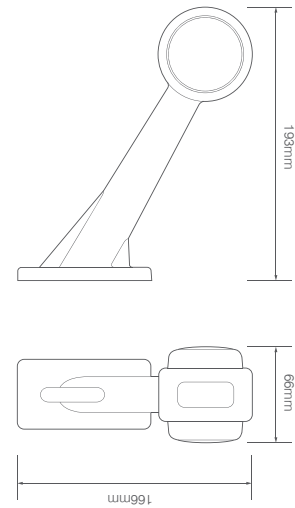
FRONT / REAR / SIDE MARKER

1005LE Left

1005RE Right

Current Draw (13.8V / 28V):
0.09A / 0.09A

Overall Size: 193 x 166 x 66mm
Cable Length: 200mm



FRONT / REAR MARKER

1004RWM

Current Draw (13.8V / 28V):
0.04A / 0.04A

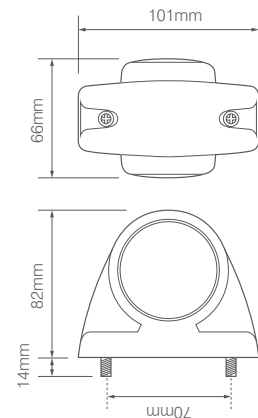


FRONT / REAR / SIDE MARKER

1005RWM

Current Draw (13.8V / 28V):
0.09A / 0.09A

Overall Size: 82 x 101 x 66mm
Cable Length: 200mm



41 SERIES NUMBER PLATE LAMPS



Voltage Range: 12/24V

Warranty: 5 years

Ingress Protection: IP67

Approval: ECE & EMC ✓

- Licence plate illumination lamp
- Shock, water & dust proof
- Highly efficient – low current draw
- Compact size

- Available with 2-pin accessory connection for 'plug & play' easy wiring system (only compatible with certain rear lamp ranges)



NUMBER PLATE LAMP

41BLM

Current Draw (13.8V / 28V):
0.02A / 0.02A

PLUGS DIRECTLY INTO REAR LAMP



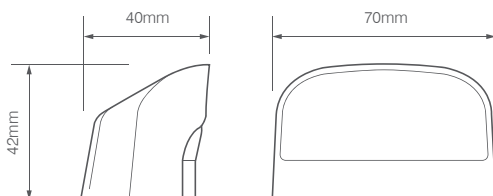
'PLUG & PLAY' NUMBER PLATE LAMP

41BLM-1P

2-pin accessory-connector plugs directly into the back of the following rear lamp series;

- EU200
- EU195
- EU390
- 100ARME
- 100BARE
- 150ARME
- 150BARE
- 250ARWM
- 250WARM
- 250FARM

Overall Size: 70 x 42 x 40mm
Cable Length, 41BLM: 200mm
Cable Length, 41BLM-1P: 1000mm



EU200 2-PIN ACCESSORY CONNECTION



35 SERIES NUMBER PLATE LAMPS



Voltage Range: 12/24V

Warranty: 5 years

Ingress Protection: IP67

Approval: ECE & EMC ✓

- Licence plate illumination lamp
- Shock, water & dust proof
- Highly efficient – low current draw
- Compact size

- Available with 2-pin accessory connection for 'plug & play' easy wiring system (only compatible with certain rear lamp ranges)



PLUGS DIRECTLY INTO REAR LAMP



'PLUG & PLAY' NUMBER PLATE LAMP

35BLME-1P Black

2-pin accessory-connector plugs directly into the back of the following rear lamp series;

- | | | |
|---------|-----------|-----------|
| • EU200 | • 100ARME | • 250ARWM |
| • EU195 | • 100BARE | • 250WARM |
| • EU390 | • 150ARME | • 250FARM |
| | • 150BARE | |

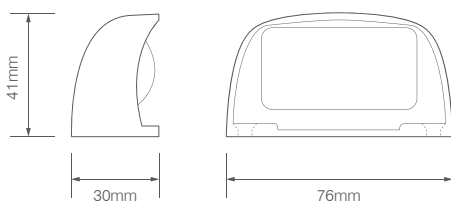
NUMBER PLATE LAMP

35BLME Black

35CLME Chrome

Current Draw (13.8V / 28V):
0.04A / 0.04A

Overall Size: 76 x 41 x 30mm
Cable Length, 35BLME / 35CLME: 200mm
Cable Length, 35BLME-1P: 1000mm



EU200 2-PIN ACCESSORY CONNECTION



Voltage Range: 12/24V**Warranty:** 5 years**Ingress Protection:** IP67

- Fully submersible
- Manufactured to comply with international maritime organisation codes and uniform shipping laws

**WHITE STERN LIGHT****52WW** White**52CW** Chrome

Current Draw (13.8V / 28V):
0.18A / 0.10A

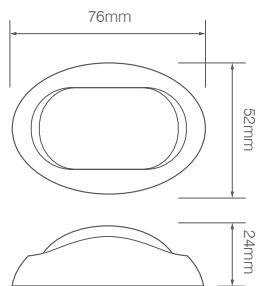
GREEN STARBOARD LIGHT**52WG** White**52CG** Chrome

Current Draw (13.8V / 28V):
0.12A / 0.20A

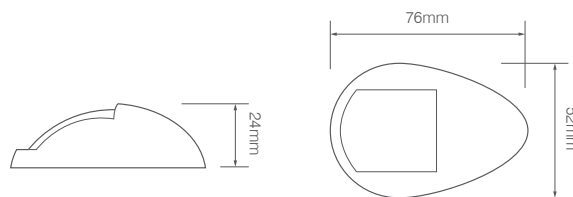
RED PORT LIGHT**52WR** White**52CR** Chrome

Current Draw (13.8V / 28V):
0.08A / 0.18A

Overall Size: 76 x 52 x 24mm
Cable Length: 180mm



Overall Size: 76 x 52 x 24mm
Cable Length: 180mm



155 & 7030 SERIES REFLEX REFLECTORS



155RR:

- ECE Approved
- Screw or rivet fixing

7030:

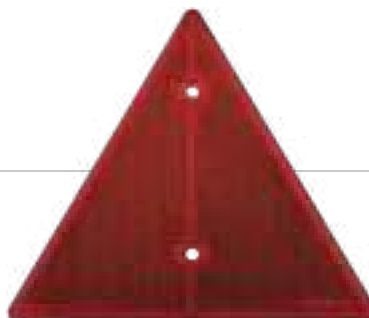
- ECE Approved
- Secure permanent mount using strong 3M™ adhesive backing tape

9020:

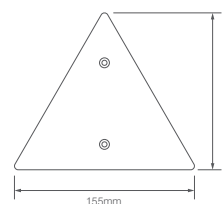
- ECE Approved
- Secure permanent mount using strong 3M™ adhesive backing tape

RED TRIANGLE REFLECTOR

155RR Twin Pack

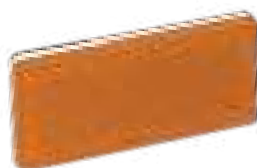


Overall Size: 155 x 135 x 6mm



RED RECTANGLE REFLECTOR

7030RE Twin Pack
7030REB Single



AMBER RECTANGLE REFLECTOR

7030AE Twin Pack
7030AEB Single



WHITE RECTANGLE REFLECTOR

7030WE Twin Pack
7030WEB Single

Overall Size: 70 x 30 x 6mm



NEW

RED RECTANGLE REFLECTOR

9020R Twin Pack
9020RB Single



NEW

AMBER RECTANGLE REFLECTOR

9020A Twin Pack
9020AB Single



NEW

WHITE RECTANGLE REFLECTOR

9020W Twin Pack
9020WB Single

Overall Size: 90 x 20 x 6mm



Voltage Range: 12V**Warranty:** 5 years**Ingress Protection:** IP67

- Traffic/arrow board lamps
- 700Cd centre brightness
- Powered by 48x high brightness LEDs
- Polycarbonate shroud housing for strength and durability

**RED****83R**

Current Draw (13.8V):
0.42A

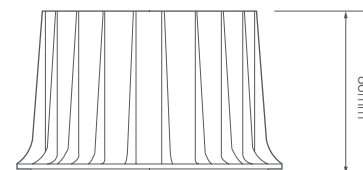
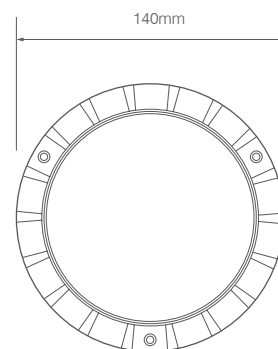
AMBER**83A**

Current Draw (13.8V):
0.42A

**GREEN****83G**

Current Draw (13.8V):
0.66A

Overall Size: Ø140 x 86mm
Cable Length: 100mm



Voltage Range: 12 or 24V

Warranty: 5 years

LR12: 50watt 6Ω

LR24: 50watt 24Ω

The dummy load resistor is designed to be used on vehicles that have electronic components that are not LED compatible. The use of an optional load resistor simulates the current draw used by a standard direction indicator bulb and enables the flasher unit to operate correctly.

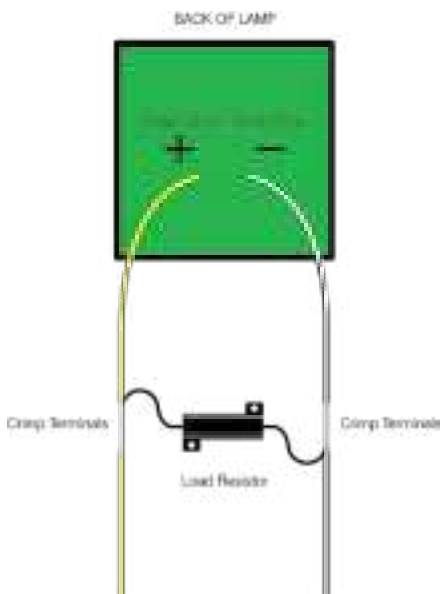


LOAD RESISTOR

LR12 12V

LOAD RESISTOR

LR24 24V



Important Notice:

Must be mounted on metal surfaces. The resistor can reach up to 170°C, do not mount the resistor on any surface that can melt by the heat of the resistor, this includes plastics, hoses or painted surfaces.

Correct Fitting:

Using the cable terminals supplied ensure that when the wires are connected they provide a completely waterproof connection to ensure safe operation of the vehicle. Make sure the load resistor is secured firmly to an appropriate surface by using the screws provided. If in doubt of the correct fitting procedure of this product please consult a qualified automotive electrician.

Voltage Range: 12V or 24V

Ingress Protection: IP67

Approval: EMC ✓

- Fixes fast indicator flashing
- Will pick up LED failure
- Fully waterproof
- Does not generate heat
- Suitable for 12V and 24V vehicles
- ISO 13207-1:2012 compliance
- Maximum load 140watts
- Relay plugs directly into fuse box
- One microprocessor unit required for each indicator lamp



I-LS MICROPROCESSOR UNIT

ILS.12/24 12/24V



3-PIN I-LS RELAY

ILS.3P12 12V

ILS.3P24 24V

For rigid vehicles (Max 90W)



4-PIN I-LS RELAY

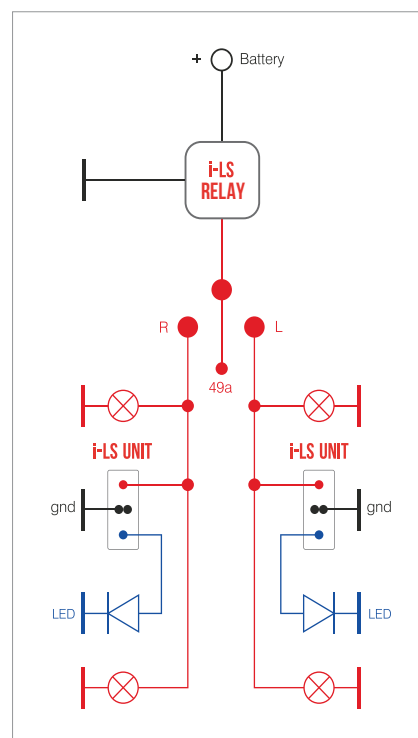
ILS.4P12 12V

ILS.4P24 24V

For vehicles w/ trailers (Max 140W)

The i-LS Microprocessor prevents unreliable failure signals being generated from indicator lamps, which can be caused by the extremely low current draws used by LED lamps when installed on traditional bulb lighting systems.

Our i-LS Relay has been designed to be used in conjunction with our i-LS Microprocessor, allowing the reliable detection of an LED indicator failure. The system alerts the driver when an indicator has failed by increasing the flash rate, or terminating an indicator light on the dashboard.



- European universal wiring kit for vehicles with fault detection
- Kit includes: control box, 7-pin socket, wiring kit, fixings and full instructions
- Built-in audible driver warning device
- Universal wiring kit is compatible with:
 - ✓ BSI systems with multiplexed cable
 - ✓ Can Bus systems
 - ✓ LED and/or bulbs



Kit Contains:



EUROPEAN UNIVERSAL WIRING KIT FOR VEHICLES WITH FAULT DETECTION
ZS CAN BUS

- SFU1 allows left and right activation of LED lamps from inside the vehicle, with adjustable flash rates
- Perfect for breakdown or stationary delivery vehicles
- Comes with complete installation kit



ADJUSTABLE SAFETY FLASH UNIT
SFU1

LED amber rear lamps mounted to the left and right hand sides – separate to existing indicator position. Maximum of 4 lamps per side

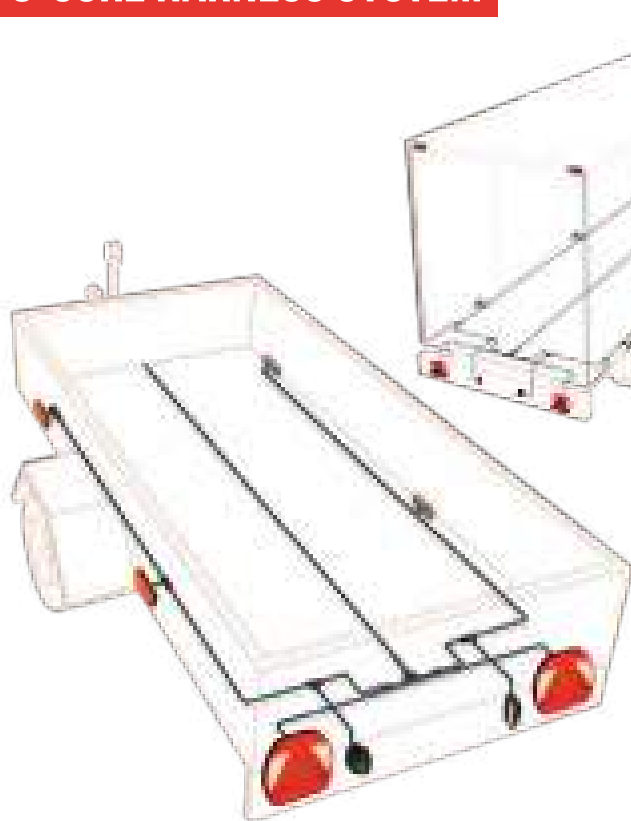
WIRING HARNESS SYSTEMS

LED AUTOLAMPS CABLE HARNESS SOLUTIONS

- Patented LED Autolamps wiring system
- Fast, simple installation – no need for specialist tools
- Fully waterproof connections – IP67
- Huge range of standard cable lengths available
- Flexible system able to adapt to any size vehicle or trailer
- Plugs directly into compatible Rear Lamps and Markers

Visit our website www.ledautolamps-uk.com for more information and a full list of cable lengths and harness-compatible lamps

8-CORE HARNESS SYSTEM

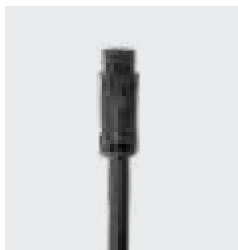


Marker lamp harness can be 'daisy-chained' to **any required length**



Patented **Push & Seal** connectors make installation **fast and simple** – without the need for specialist tools and equipment.

8-CORE HARNESS CONNECTORS



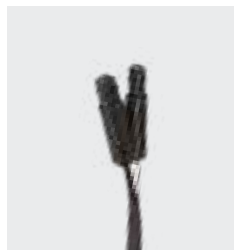
Main chassis cable with moulded 8-pin connector



8-pin main chassis T-piece connector



6-pin rear lamp connector with marker harness fly lead



2-core marker harness connector



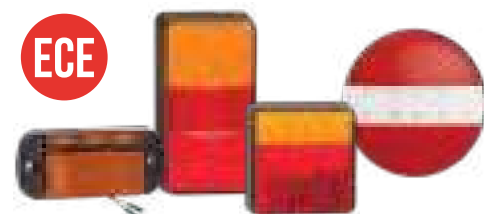
2-pin marker harness T-piece connector

Standard cable lengths available up to **12m**

5-CORE HARNESS SYSTEM

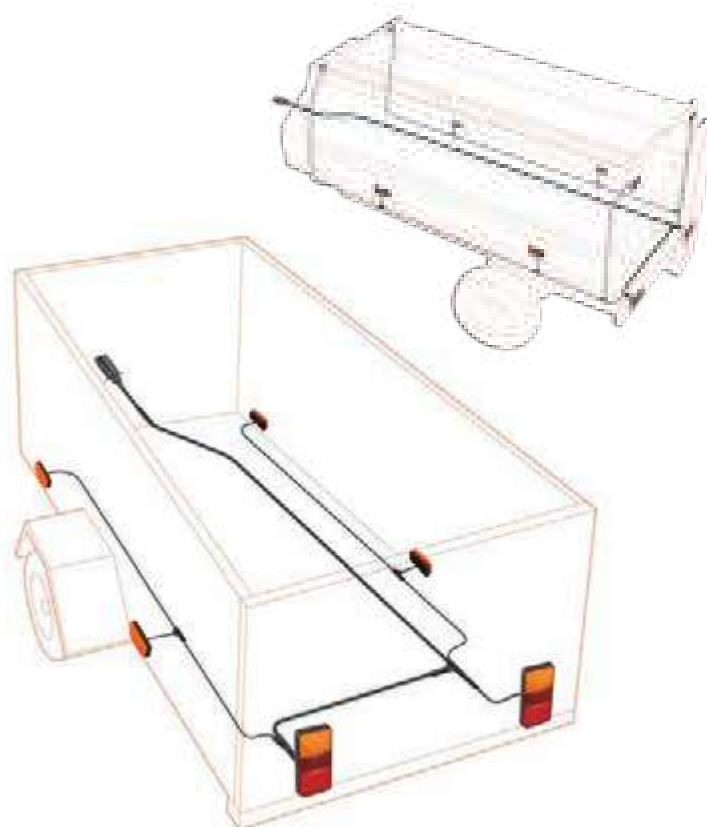


Main chassis cable plugs **directly** into Rear Lamps



ECE

Wide range of compatible Rear Lamps and Marker Lamps



5-CORE HARNESS CONNECTORS



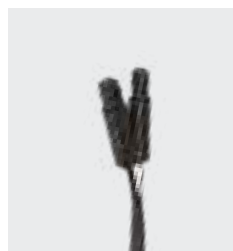
7-pin chassis plug



Main chassis cable with marker harness fly lead



Lamp-to-lamp connector with marker harness fly lead



2-core marker harness connector



2-pin marker harness T-piece connector

Standard cable lengths available up to **15m**

BESPOKE HARNESS ADAPTION SERVICES

We understand that specific projects often require custom wiring solutions; unavailable 'off the shelf'.

Because of this, we offer a wide range of bespoke harness adaption services - undertaken in-house at our UK based production facility.

OUR SERVICES:

- **Lamp adaption** Specified connectors can be added to any of our lamp range to allow seamless fitment to any existing system.
- **Partial harness kits** We can produce partial wiring looms – such as Marker Lamp harnesses – to upgrade or extend existing vehicle systems.
- **Total bespoke harness systems** Full wiring looms for your vehicle or trailer, including all cables, lamps and connectors.

THE BENEFITS:

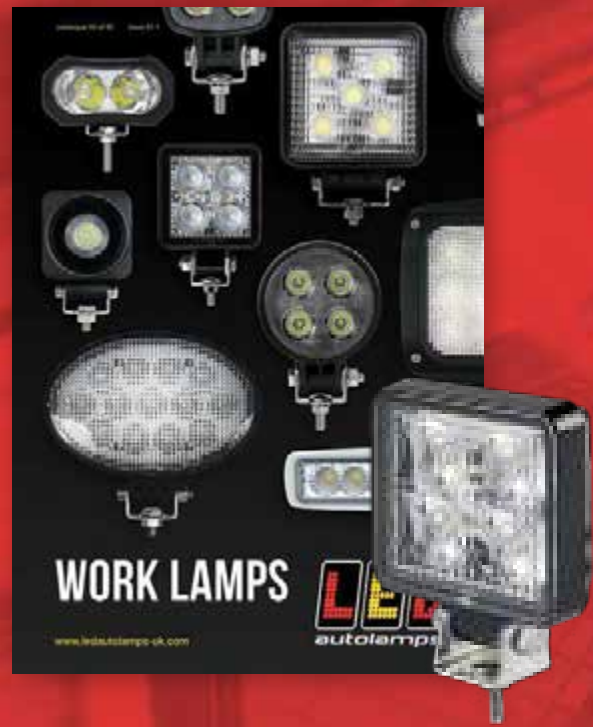
- **Time and labour savings**
- **Fast turnarounds**
- **Small batch quantities available**
- **Flexible delivery to suit your production schedule**
- **Fully tested and guaranteed product**

COMPLETE VEHICLE LIGHTING SOLUTIONS

Forward Lighting



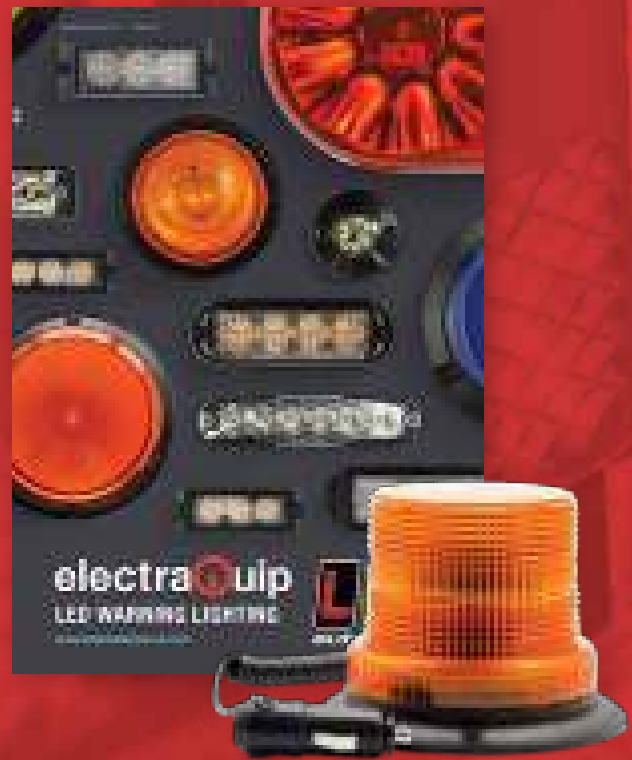
Work Lamps



Interior Lamps & Scene Lights



Warning Lighting



Contact us to request our other catalogues or visit our website for full product information

www.ledautolamps-uk.com

Free Retail Support Material Available

We offer a range of marketing material free to supporting distributors, allowing for increased product awareness for *your* customers

This includes:

- freestanding retail display stands
- working display units
- counter top merchandiser boxes
- full range of catalogues, brochures and flyers
- counter top leaflet dispensers
- exterior and interior signage
- posters and stickers
- counter mats and notepads
- give-aways; pens, hats, air fresheners, bags...



Technical Support

Product support is on hand from our UK head office (Mon-Fri, 8:30–17:00), providing technical assistance and advice for any queries relating to the use of our products

Dealer Training

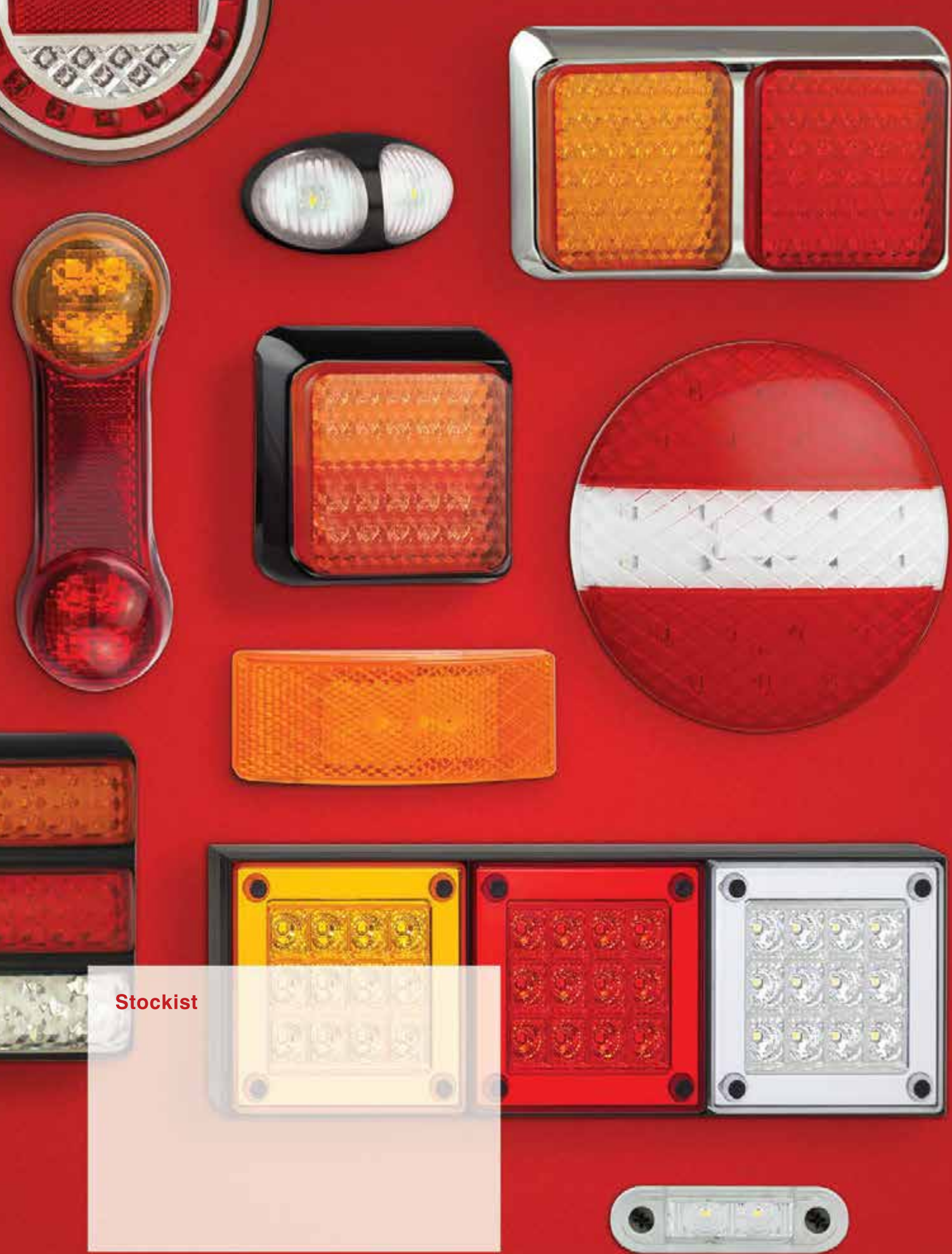
We see the importance of offering free product training to our distributors; creating a well informed sales network to take best advantage of our full lighting range



Contact us for more information:

Tel: +44 (0)121 313 2222

Email: enquiries@ledautolamps-uk.com



Stockist

LED Autolamps Europe LLP
Unit 8J, Maybrook Business Park
Minworth, Sutton Coldfield
B76 1AL, United Kingdom

T +44 (0)121 313 2222
F +44 (0)121 313 2272
E enquiries@ledautolamps-uk.com
W www.ledautolamps-uk.com