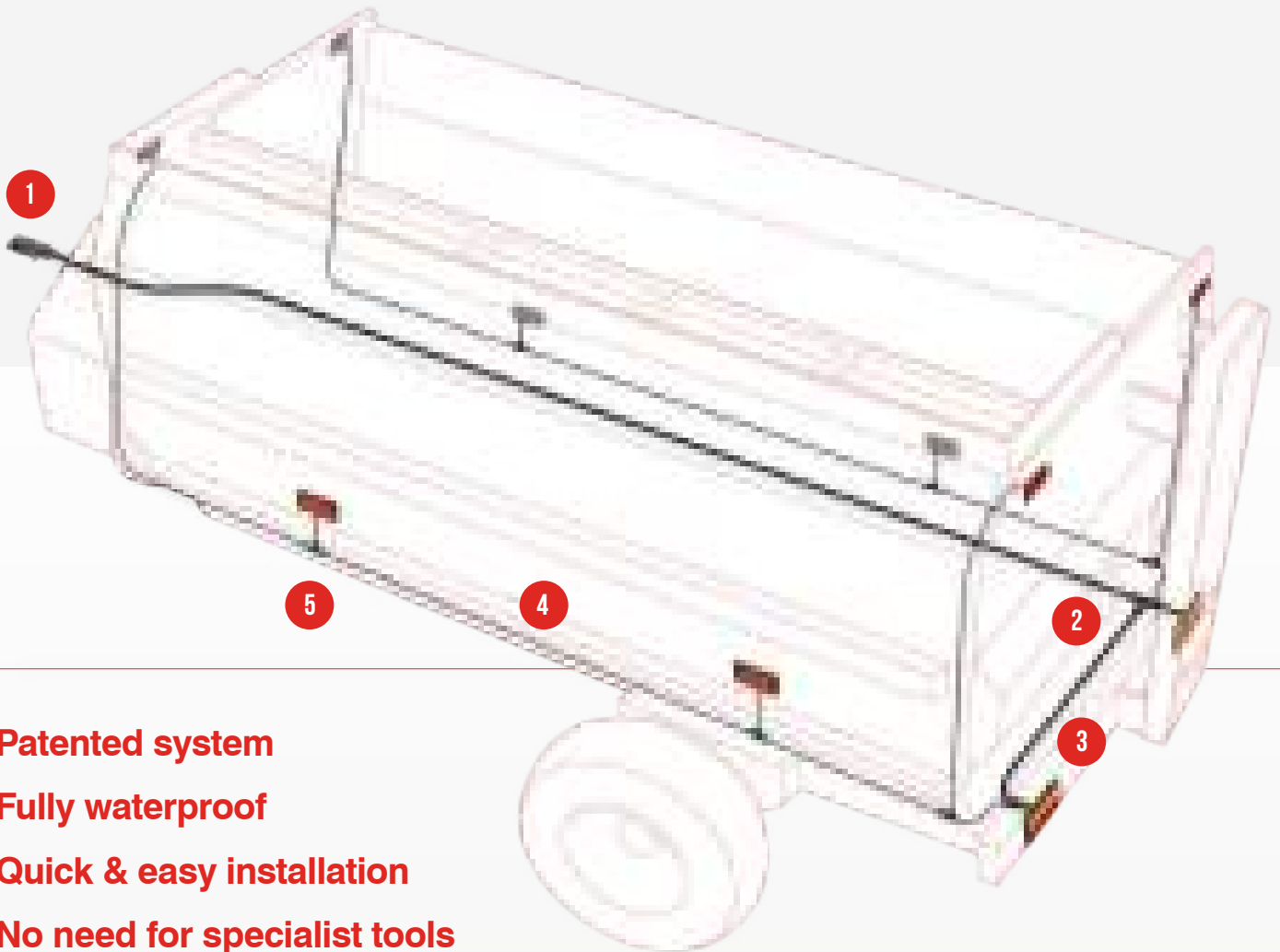


# LIGHTING HARNESS SYSTEM AGRICULTURAL TRAILER

**LED**  
autolamps



- **Patented system**
- **Fully waterproof**
- **Quick & easy installation**
- **No need for specialist tools**

A patented waterproof sealing ring has been integrated within each individual connector, providing whole system integrity and reassurance of a long operating life.

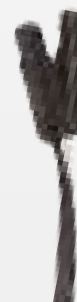
1. 7-Pin chassis plug

2. Gooseneck connector with marker harness connector

3. Lamp-to-lamp connector with marker harness connector

4. Twin core marker lamp harness connector

5. Marker harness T-piece connector



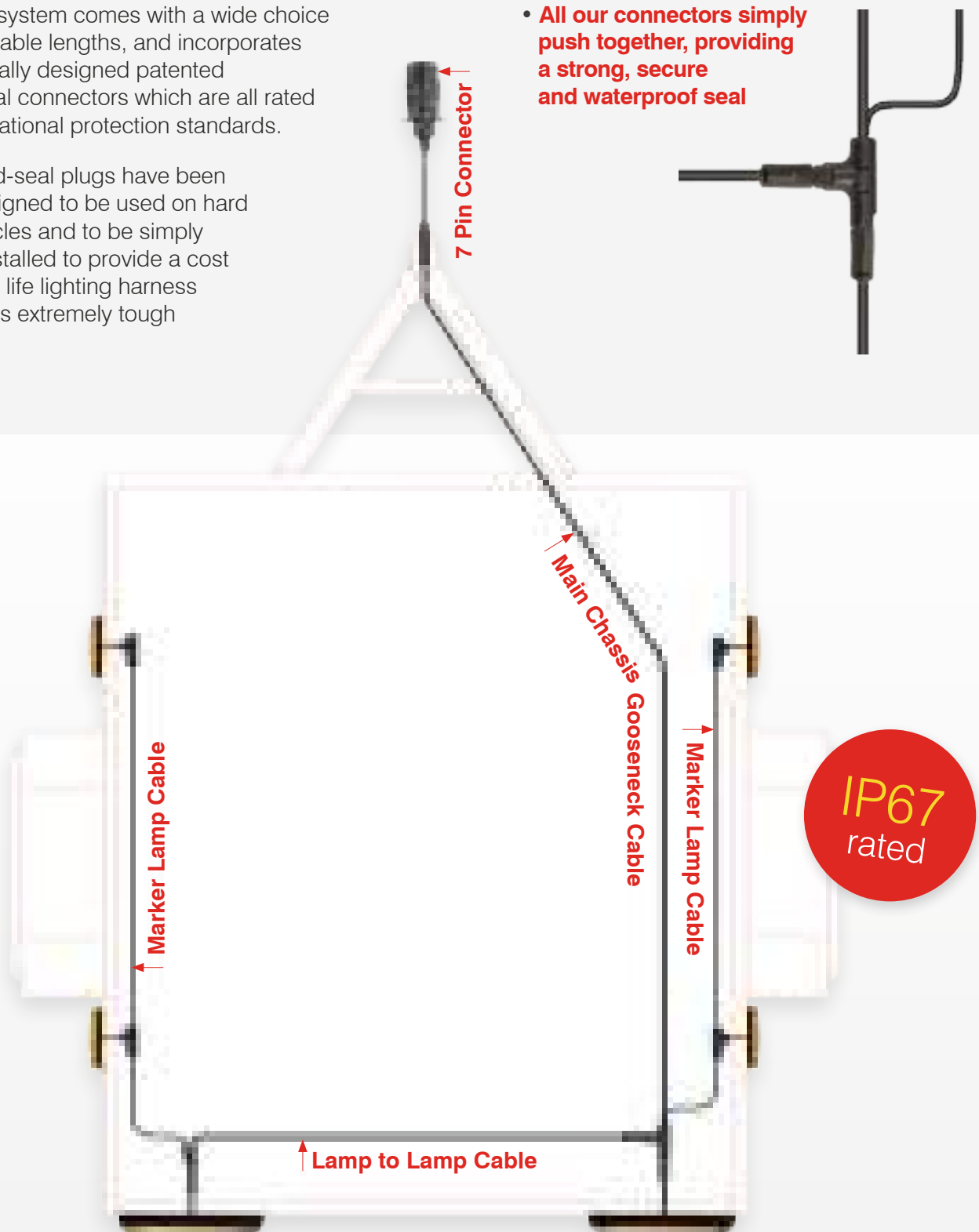
## This new system offers a quick and foolproof method of wiring an agricultural trailer without the need for any specialist tools.

The harness system comes with a wide choice of standard cable lengths, and incorporates several specially designed patented push-and-seal connectors which are all rated to IP67 international protection standards.

The push-and-seal plugs have been specially designed to be used on hard working vehicles and to be simply and easily installed to provide a cost effective long life lighting harness solution that is extremely tough and durable.

## PUSH-AND-SEAL SYSTEM

- All our connectors simply push together, providing a strong, secure and waterproof seal



- This flexible system is suitable for vehicles and trailers of all different sizes

# CABLES & CONNECTORS



- We offer an extensive choice of cable lengths for complete system versatility

## CHASSIS PLUGS



7Pin Connector  
5C81 - 1m Cable



Twin Core T-Piece  
2PTP - T-Piece  
2PTC - 2-pin T-Piece Cover  
2PIC - 2-pin In-line Cover



## MAIN CHASSIS GOOSENECK CABLES 5 wire cable with accessory wire for marker lamp

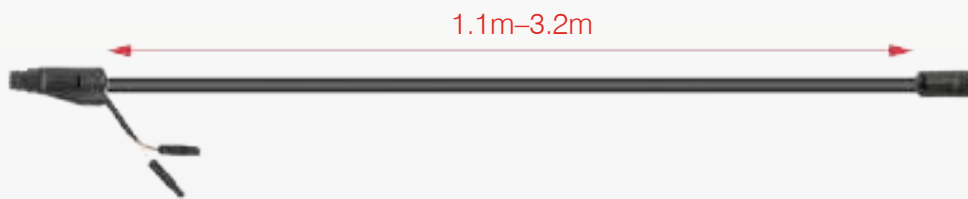


### Part Numbers / Lengths:

- 5C370C - 3.7m
- 5C430C - 4.3m
- 5C490C - 4.9m
- 5C550C - 5.5m
- 5C610C - 6.1m
- 5C670C - 6.7m
- 5C730C - 7.3m
- 5C800B - 8m
- 5C1200B - 12m



## LAMP TO LAMP CABLES 4 wire cable with accessory wire for marker lamp

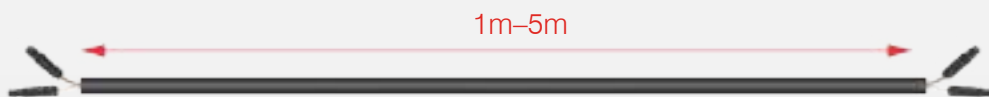


### Part Numbers / Lengths:

- 4C110C - 1.1m
- 4C130C - 1.3m
- 4C150C - 1.5m
- 4C170C - 1.7m
- 4C190C - 1.9m
- 4C210C - 2.1m
- 4C220B - 2.2m
- 4C320B - 3.2m



## TWIN CORE MARKER LAMP CABLES 2 wire cable for marker lamps and accessories



### Part Numbers / Lengths:

- 2C100B - 1m
- 2C200B - 2m
- 2C300B - 3m
- 2C400B - 4m
- 2C500B - 5m





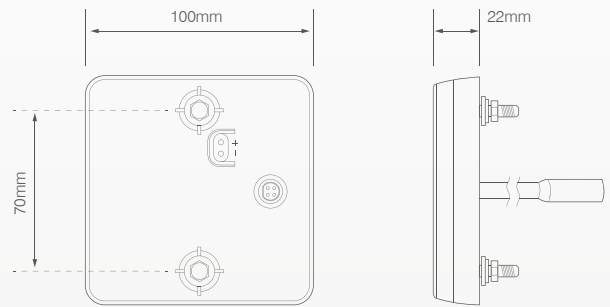
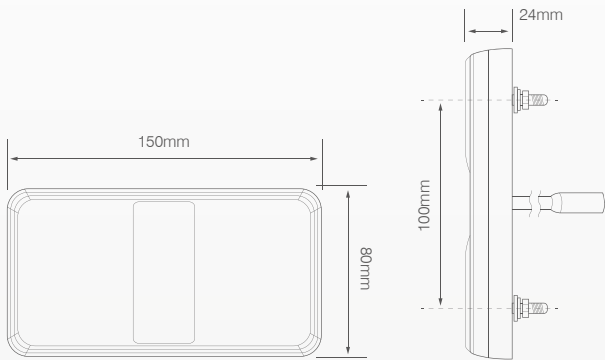
# REAR LAMPS & ACCESSORIES

## COMPACT COMBINATION TRAILER LAMPS

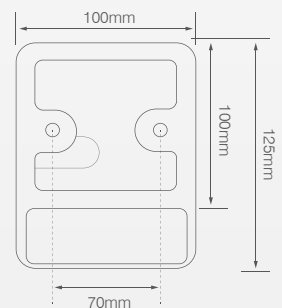
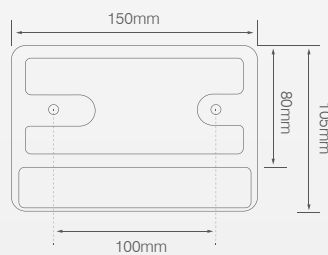


**Stop/Tail/Indicator**  
150ARME - 12/24V  
150BARE - 12V  
150BARE2 - 12V Twin Pack

**Stop/Tail/Indicator**  
100ARME - 12/24V  
100BARE - 12V  
100BARE2 - 12V Twin Pack



## NUMBER PLATE LAMPS



**Number Plate Lamp Bracket**  
(for 150 Series Lamps)  
LP150M - 12/24V

**Number Plate Lamp Bracket**  
(for 100 Series Lamps)  
LP100 - 12V



## SLIM-LINE COMBINATION TRAILER LAMP

5 year warranty

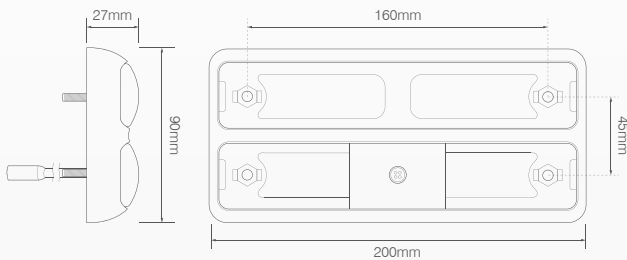


## LOW-PROFILE ROUND COMBINATION LAMP

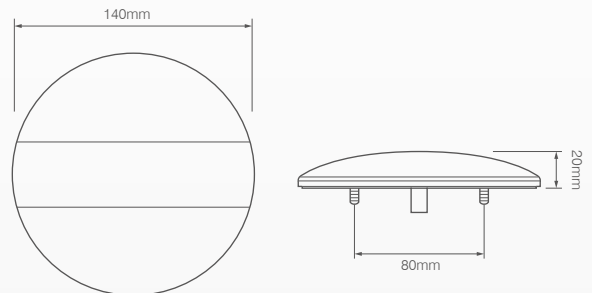
5 year warranty



Stop/Tail/Indicator  
207BARP - 12V



Stop/Tail/Indicator  
EU140STIM4P - 12/24V



## NUMBER PLATE LAMPS plug directly into 100 & 150 series combination lamps. Come with 1m Cable



Number Plate Lamp  
& Harness Kit  
35BLME1P - 12/24V



Number Plate Lamp  
& Harness Kit  
41BLME1P - 12/24V

# MARKER & NUMBER PLATE LAMPS



Number Plate Lamp  
41BLME2P



Number Plate Lamp  
35BLME2P



Amber Side Marker  
44AME2P



Amber Side Marker  
37AM2P



Amber Side Marker  
37CAM2P



Stalk Lamp (Left)  
1004LE2P



Stalk Lamp (Right)  
1004RE2P



Red Rear  
Outline Marker  
44RME2P



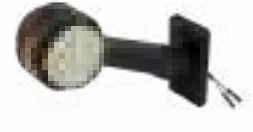
Red Rear  
Outline Marker  
37RM2P



Red Rear  
Outline Marker  
37CRM2P



Stalk Lamp (Left)  
with Side Marker  
1005LE2P



Stalk Lamp (Right)  
with Side Marker  
1005RE2P



White Front  
Outline Marker  
44WME2P



White Front  
Outline Marker  
37WM2P



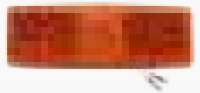
White Front  
Outline Marker  
37CWM2P



Rubber Marker  
1004RWM2P



Rubber Marker  
with Side Marker  
1005RWM2P



Amber Side Marker  
1490AM2P



Amber Side Marker  
with Bracket  
1491AM2P



Amber Side Marker  
58AM-1E2P



Amber Side Marker  
181AME2P



Red Rear  
Outline Marker  
181RME2P



Red Rear  
Outline Marker  
1490RM2P



Red Rear Outline  
Marker w/ Bracket  
1491RM2P



Red Rear  
Outline Marker  
58RME2P



Red Rear  
Outline Marker  
35RME2P



White Front  
Outline Marker  
181WME2P



White Front  
Outline Marker  
1490WM2P



White Front Outline  
Marker w/ Bracket  
1491WM2P



White Front  
Outline Marker  
58WME2P

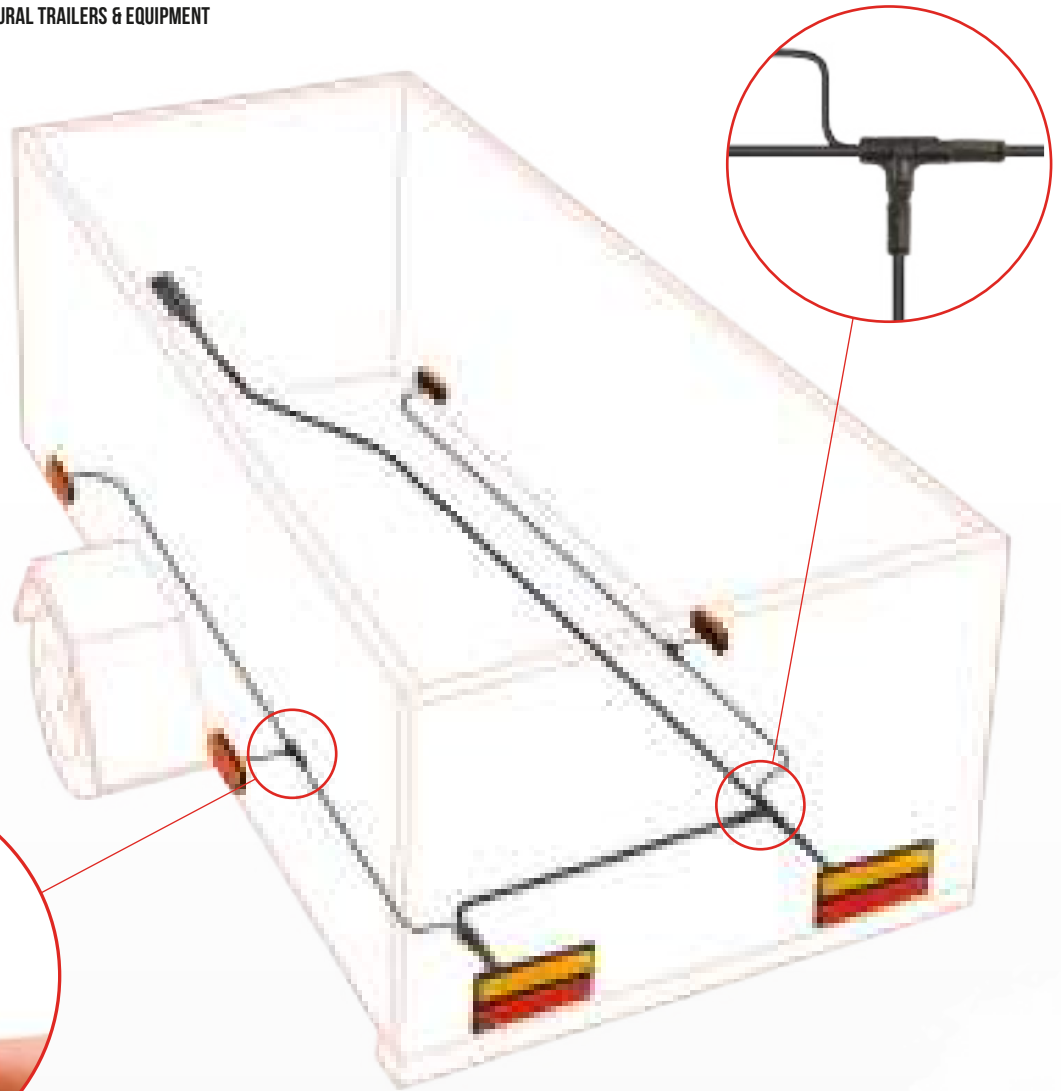


White Front  
Outline Marker  
35WME2P



IP67  
rated

- **Push-and-seal connectors make installation fast and simple!**



**LED Autolamps is a leading manufacturer of an extensive range of European certified commercial vehicle LED lighting solutions.**

The company's commitment to research and development and innovative product design has firmly placed LED Autolamps as one of the industry's fastest growing companies that specialise in solid state vehicle lighting.

Unsurpassed for quality and reliability all LED Autolamps products come with either a 3 year, 5 year or lifetime warranty. In addition, all of our products offer sealed for life electronics to protect against dirt and moisture ingress and 12/24 dual voltage versatility makes the product range suitable for a wide range of commercial, specialist, construction and agricultural vehicles.

**LED AUTOLAMPS EUROPE LLP**

Unit 8J, Maybrook Business Park, Minworth,  
Sutton Coldfield, B76 1AL, United Kingdom

**T** +44 (0)121 313 2222 **F** +44 (0)121 313 2272

**E** [enquiries@ledautolamps-uk.com](mailto:enquiries@ledautolamps-uk.com)



Visit our website for our full product catalogue and all our latest news:

[WWW.LEDAUTOLAMPS-UK.COM](http://WWW.LEDAUTOLAMPS-UK.COM)