



Britax PMG Limited

Britax PMG Limited, Bessingby Industrial Estate,
Bridlington, Yorkshire, England YO16 4SJ
t. +44 (0) 1262 670161 f. +44 (0) 1262 605666 e. enquiries@britax-pmg.com

Lamps & Reflectors

Product Catalogue

The products detailed in this catalogue represent our current range, and whilst every effort has been made to ensure accuracy of the information supplied, customers are requested to satisfy themselves of the suitability of any products required.

Full terms & conditions available at www.britax-pmg.com

CATL14



Britax is a registered trademark of and used under licence from a member of the Britax group of companies.



Lamps & Reflectors

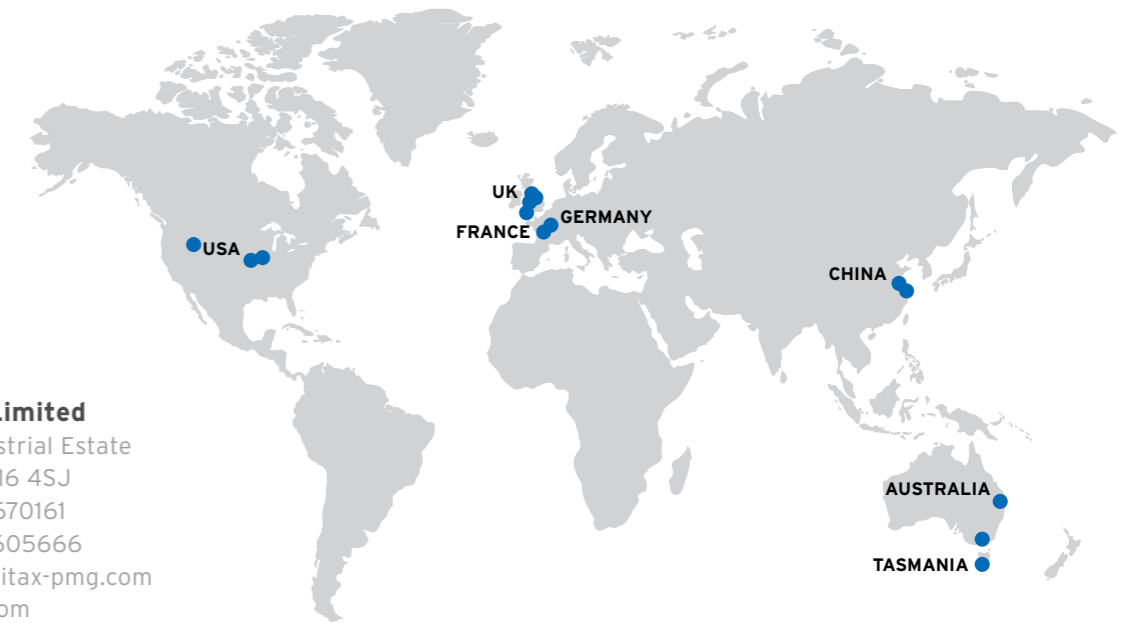
Product Catalogue



Britax PMG Limited is a world-class supplier of mandatory and auxiliary vehicle lighting, amber hazard warning lighting and rear view mirrors to both vehicle Original Equipment Manufacturers (OEMs) and the commercial vehicle after market. Our equipment can be found on all types of vehicle, including cars, vans, trucks, trailers, tractors, buses, coaches, recovery trucks and construction machinery.

Our quality range of beacons, lightbars, lamps, reflectors, switches, mirrors and wiper systems are sold all around the world through a comprehensive network of distributors. As part of the ECCO Safety Group, the company has access to manufacturing facilities in nine locations on four continents, along with an additional four international sales offices in Europe, Australia and China, together employing 900 team-members.

	BULB PAGE	LED PAGE
TECHNICAL INFORMATION	04	04
FRONT POSITION LAMPS	06	33
FRONT COMBINATION LAMPS	09	N/A
SIDE MARKER LAMPS	10	34
END OUTLINE MARKER LAMPS	11	35
DIRECTION INDICATOR LAMPS	15	36
REAR POSITION / STOP LAMPS	18	36
REAR FOG LAMPS	21	37
REAR REVERSE LAMPS	22	36
REAR COMBINATION LAMPS	23	38
REGISTRATION PLATE LAMPS	26	42
INTERIOR LAMPS	895	43
WORK LAMPS	29	45
HEAD LAMPS	31	N/A
REFLECTORS	50	N/A



Britax PMG Limited
Bessingby Industrial Estate
Bridlington, YO16 4SJ
t. +44 (0)1262 670161
f. +44 (0)1262 605666
e. enquiries@britax-pmg.com
w. britax-pmg.com

BRITAX is the registered trademark of, and is used under licence from, a member of the BRITAX group of companies.



Technical Information

Please ensure connections and the rear face of the lamp are protected from water when mounting. Capillary action can cause moisture to travel along the cable and into the Lamp.

Lamp Function

REFLEX REFLECTOR EUROPEAN APPROVED TO ECE REGULATION 3-01		FRONT FOG EUROPEAN APPROVED TO ECE REGULATION 19-00	
REFLEX REFLECTOR EUROPEAN APPROVED TO ECE REGULATION 3-02		HEADLAMP (H4) EUROPEAN APPROVED TO ECE REGULATION 20-02	
REAR REGISTRATION PLATE EUROPEAN APPROVED TO ECE REGULATION 4-00		REVERSING LAMP EUROPEAN APPROVED TO ECE REGULATION 23-00	
DIRECTION INDICATOR EUROPEAN APPROVED TO ECE REGULATION 6-00		TRIANGULAR REFLEX REFLECTOR EUROPEAN APPROVED TO ECE REGULATION 27-00	
DIRECTION INDICATOR EUROPEAN APPROVED TO ECE REGULATION 6-01		REAR FOG EUROPEAN APPROVED TO ECE REGULATION 38-00	
FRONT & REAR POSITION (SIDE) & STOP EUROPEAN APPROVED TO ECE REGULATION 7-00		SIDE MARKER EUROPEAN APPROVED TO ECE REGULATION 91-00	
FRONT & REAR POSITION (SIDE) & STOP EUROPEAN APPROVED TO ECE REGULATION 7-01		HEADLAMP (DRIVING BEAM) EUROPEAN APPROVED TO ECE REGULATION 112	
FRONT & REAR POSITION (SIDE) & STOP EUROPEAN APPROVED TO ECE REGULATION 7-02		SAE COMPLIES WITH SAE STANDARD	
HEADLAMP (H1, H2, H3, H7) EUROPEAN APPROVED TO ECE REGULATION 8-00		EMC CONFORMS TO EEC DIRECTIVE 89/336/EEC (GENERAL), APPROVED TO EEC 95/94 (ROAD VEHICLES) 2000/2 (TRACTORS) CHAPTER 8 (2-3 WHEELED VEHICLES) AND APPROVED TO ECE REGULATION 10 (GENERAL) FOR ELECTRO MAGNETIC COMPATIBILITY	

IP Rating Details

The IP rating system provides a means of classifying the degrees of protection from dust, water and impact afforded by electrical equipment and Enclosures. The system is recognised in most European countries and is set out in BS EN 60529

IP65

6 TOTALLY PROTECTED AGAINST DUST
5 PROTECTED AGAINST LOW PRESSURE JETS OF WATER FROM ALL DIRECTIONS - LIMITED INGRESS PERMITTED.

What are Lumens?

- The lumen is the SI* derived unit for 'luminous flux', it is a measure of the total 'amount' of visible light emitted by a source.
 - The higher the quoted number means: more intensive visible light.
- (* = international system of units)

IP67

6 TOTALLY PROTECTED AGAINST DUST
7 PROTECTED AGAINST THE EFFECTS OF TEMPORARY IMMERSION BETWEEN 15CM AND 1M. DURATION TEST 30 MINUTES.

Technical Information

Lamps

A Lamp should be mounted to conform to legal requirements and any mounting surface should be flat, rigid and at least the overall dimensions of the Lamp.

Combining spare parts from different sources is illegal. Compliance with EC regulations is only given for the whole product including all components. Right and left must be identical on one vehicle.

Fixing bolts should not be over-tightened as distortion could cause water ingress and other service problems. **Do not touch bulbs with bare fingers.**

The cable entering a Lamp should be looped downwards to ensure water runs away from the Lamp.

any cable entry piercing must be smaller than the cable (and remember that multiple single cables will not

form a circle and will allow water to enter the Lamp).

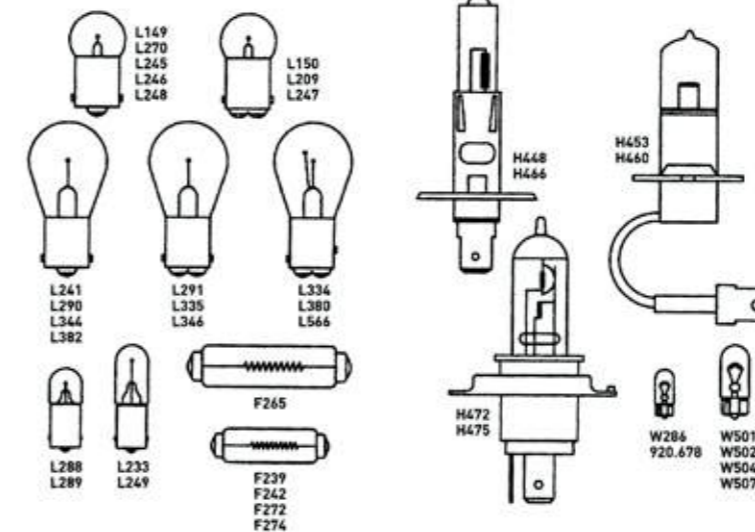
Use suitable tape or sealant should any doubts exist about water ingress with any installation.

LED Lamps

LED lamps are sealed as either a complete lamp or an LED module fitted into a housing i.e.L13 series. Generally there are no serviceable parts within an LED lamp.

If a replacement module is available the part number will be shown as a 'spare part' under the relevant lamp listing.

Bulb Details

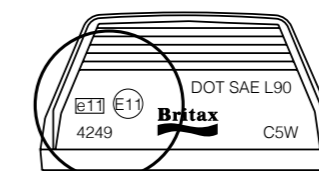


References

Two HMSO Publications can be bought from HMSO Bookshops (or use a Public Reference Library) and give advice on vehicles and the use of Lamps, Reflectors, Rear Markings and Devices:-

1986 No. 1078 Road Traffic The Road Vehicles (Construction and Use) Regulations 1986

1989 No. 1796 Road Traffic The Road Vehicles Lighting Regulations 1989



Individual approval numbers (ECE Reg) are shown on the product.

BULB	VOLTS	WATTS	CAP	ECE
L149	24	5	BA15s	R5W
L207	12	5	BA15s	R5W
L245	12	10	BA15s	R10W
L246	24	10	BA15s	R10W
L150	24	5	BA15d	R5W
L209	12	5	BA15d	R5W
L247	24	5	BA15d	R5W H DUTY
L241	24	21	BA15s	P21W
L290	24	21	BA15s	P21W H DUTY
L344	12	21	BAU15s	PY21W AMBER
L382	12	21	BA15s	P21W
L291	24	21	BA15d	P21W
L335	12	21	BA15d	P21W
L346	24	21	BA15d	P21W
L334	24	21/5	BA15d	P21/5W
L380	12	21/5	BA15d	P21/5W
L566	12	21/4	BAZ15d	P21/4W
L288	12	2	BA9s	
L289	24	2	BA9s	
L233	12	4	BA9s	T4W
L249	24	4	BA9s	T4W
F265	12	10	SV8.5	
F239	12	5	SV8.5	C5W
F242	24	5	SV8.5	C5W
F272	12	10	SV8.5	
F274	24	10	SV8.5	
H448	12	55	P14.5s	H1
H466	24	70	P14.5s	H1
H453	12	55	PK22s	H3
H460	24	70	PK22s	H3
H472	12	60/55	P43t	H4
H475	24	75/70	P43t	H4
W286	12	1.2	W2x4.6d	
920.678	28	1.2	W2x4.6d	
W501	12	5	W2.1x9.5d	W5W
W502	12	3	W2.1x9.5d	W3W
W504	24	3	W2.1x9.5d	W3W
W507	24	5	W2.1x9.5d	W5W

Front Position Lamps

L15 FRONT POSITION BULB LAMP

Front, lens uncoloured.

L15.00
12V OR 24V

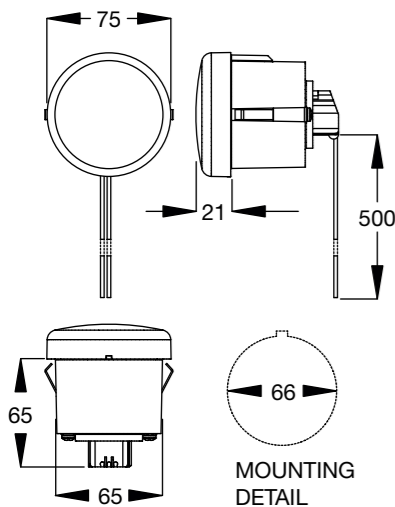
Clip fit into panel of thickness 3.5±1mm

Spare Parts

13585.02 Bulbholder.
12V Bulb L207.
24V Bulb L149.



Other functions in this style available.



636 FRONT POSITION BULB LAMP

Front, lens uncoloured.

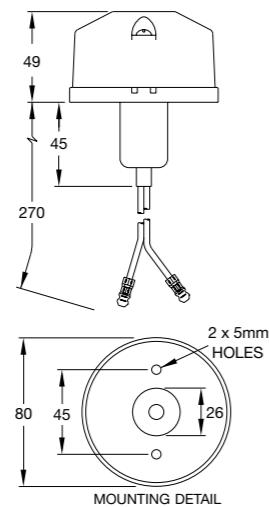
636.00.LB

Spare Parts

10101.01 Lens Uncoloured.
12V Bulb L209.
24V Bulb L150.



Other functions in this style available.



764 FRONT POSITION BULB LAMP

Front, lens uncoloured.

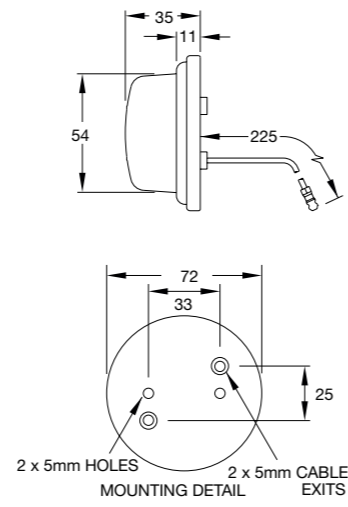
764.00.LB OR .12V

Spare Parts

10047.7232 Lens Uncoloured.
12004.6 Bezel.
12V Bulb F239.
24V Bulb F242.



Other functions in this style available.



Front Position Lamps

449 FRONT POSITION BULB LAMP

Front, lens uncoloured.

449.00.LB

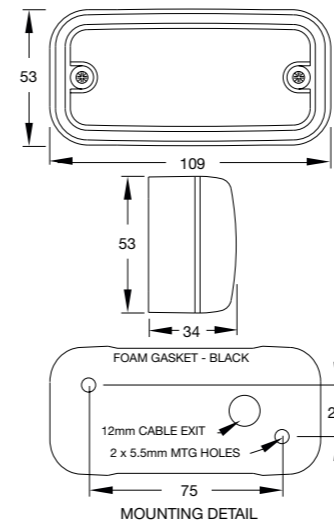
Suitable for horizontal or vertical mounting.

Spare Parts

10466.00 Lens Uncoloured.
12V Bulb L233.
24V Bulb L249.



Other functions in this style available.



881 FRONT POSITION BULB LAMP

Front, lens neutral density

881.00.LB OR .12V

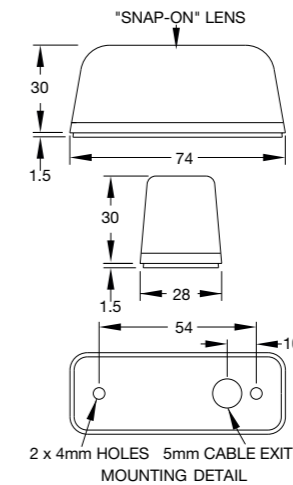
Suitable for horizontal or vertical mounting.

Spare Parts

10430.00 Lens Neutral Density.



Other functions in this style available.



821 FRONT POSITION BULB LAMP

Front, lens uncoloured. For recessed mounting.

821.01.LB

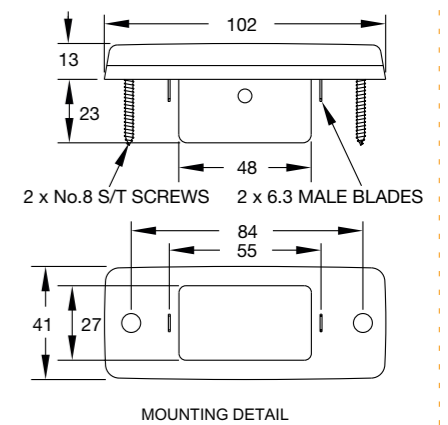
Suitable for horizontal or vertical mounting.

Spare Parts

10413.01 Lens Uncoloured.
12V Bulb F239.
24V Bulb F242.



Other functions in this style available.



Front Position Lamps

822 FRONT POSITION BULB LAMP

Front, lens uncoloured.

822.01.LB

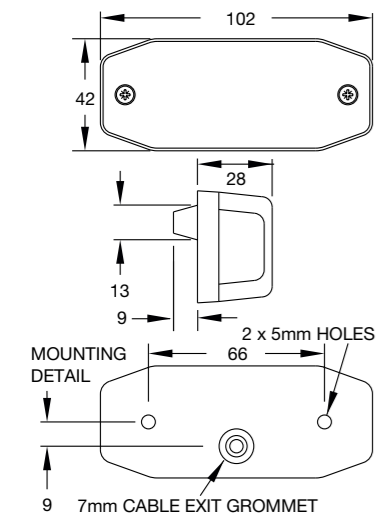
Suitable for horizontal or vertical mounting.

Spare Parts

- 10412.01 Lens Uncoloured.
- 8011.00 Gasket.
- 12V Bulb F239.
- 24V Bulb F242.



Other functions in this style available.



814 FRONT POSITION BULB LAMP

Front, lens uncoloured.

814.01.LB

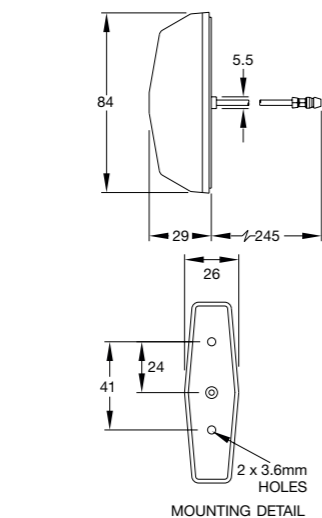
Suitable for horizontal or vertical mounting.

Spare Parts

- 10000.01 Lens Uncoloured.
- 12V Bulb F239.
- 24V Bulb F242.



Other functions in this style available.



9006 FRONT COMBINATION BULB LAMP

Front position and direction indicator. Lens amber/uncoloured. Insulated return.

9006.00.LB

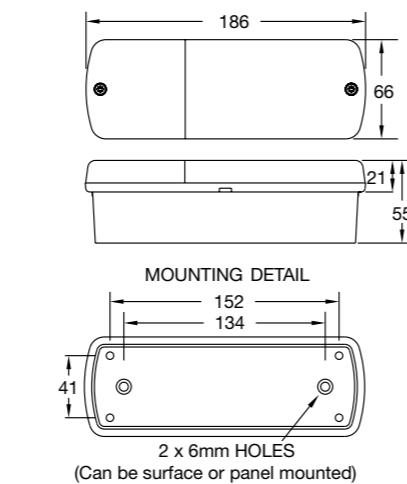
Some lamps will require to have hole 'knock-outs' removed. Suitable for horizontal mounting only.

Spare Parts

- 10445.00 Lens Amber/Uncoloured.
- 12V Bulbs 1 x L207 1 x L382.
- 24V Bulbs 1 x L149 1 x L241.



Other functions in this style available.



Front Combination Lamps

9009 FRONT COMBINATION BULB LAMP

Front position and direction indicator. Lens amber/uncoloured.

9009.00.LB

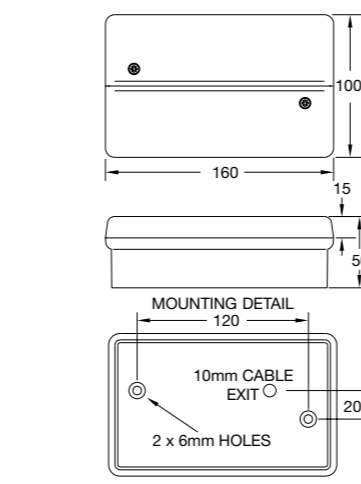
Suitable for horizontal or vertical mounting.

Spare Parts

- 10401.00 Lens Amber/Uncoloured.
- 12V Bulbs 1 x L207 1 x L382.
- 24V Bulbs 1 x L149 1 x L241.



Other functions in this style available.



9058 FRONT COMBINATION BULB LAMP

Front position and direction indicator. Lens amber/uncoloured. 43° angle for mudguard mounting.

9058.00.LB Right Hand / 9058.01 Left Hand

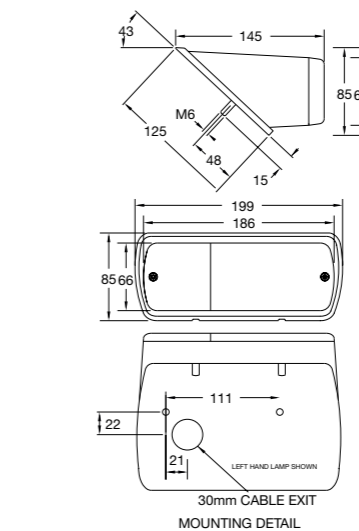
Suitable for horizontal mounting only.

Spare Parts

- 10445.00 Lens Amber/Uncoloured.
- 12V Bulbs 1 x L207 1 x L382.
- 24V Bulbs 1 x L149 1 x L241.



Other functions in this style available.



9087 FRONT COMBINATION BULB LAMP

Front position and direction indicator. Lens amber/uncoloured.

9087.00.LB 12V

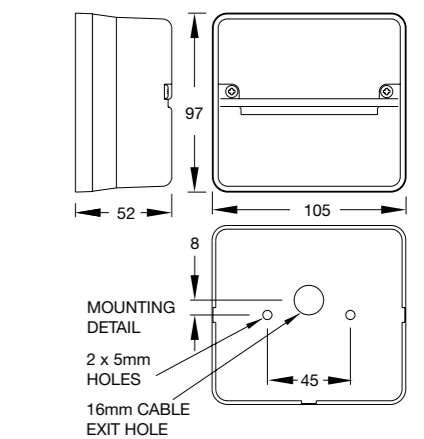
For 12V max applications.

Spare Parts

- 10367.00 Lens Amber/Uncoloured.
- 12V Bulb 1 x L207 1 x L382.



Other functions in this style available.



Side Marker Lamps

449 SIDE MARKER BULB LAMP WITH REFLEX REFLECTOR

Side marker. Lens amber.

449.02
12V OR 24V

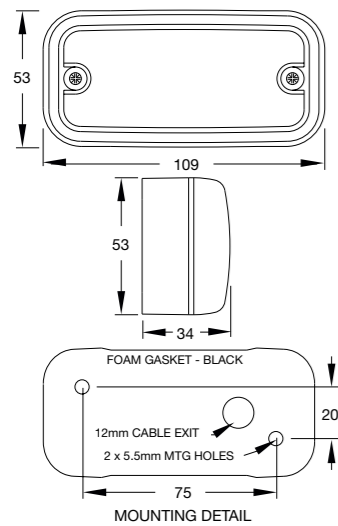
Suitable for vertical or horizontal mounting.

Spare Parts

- 10467.00 Lens Amber.
- 12V Bulb L233.
- 24V Bulb L249.



Other functions in this style available.



449 SIDE MARKER BULB LAMP WITH REFLEX REFLECTOR

Side marker with 90° bracket. Lens amber.

449.03
12V OR 24V

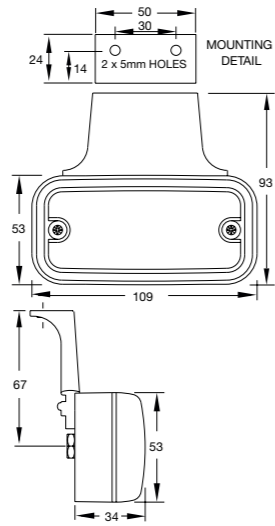
Suitable for horizontal or vertical mounting.

Spare Parts

- 10467.00 Lens Amber.
- 12V Bulb L233.
- 24V Bulb L249.



Other functions in this style available.



605 SIDE MARKER BULB LAMP WITH REFLEX REFLECTOR

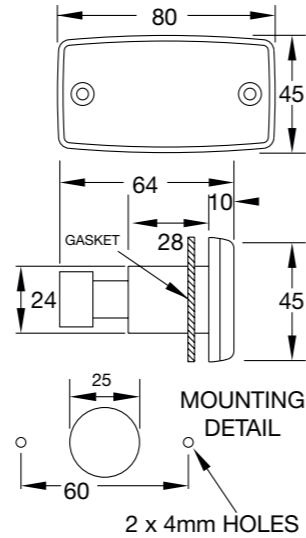
Side marker. Lens amber.

605.00
12V OR 24V (SUPPLIED LESS BULB)

Suitable for vertical or horizontal mounting.

Spare Parts

- 1323.00 Bulb Holder + Seal.
- 12261.00 Vertical Flat Bracket.
- 12261.01 90° Vertical Bracket.
- 15281.00 Gasket.
- 12V Bulb W502.
- 24V Bulb W504.



End Outline Marker Lamps

639 SIDE MARKER BULB LAMP WITH REFLEX REFLECTOR

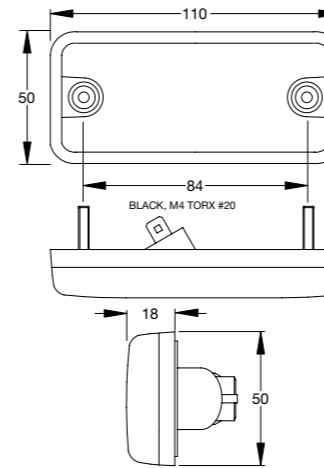
Side marker. Lens amber.

639.00
24V ONLY

Suitable for horizontal mounting.

Spare Parts

- 13572.00 Bulb Holder.
- 24V Bulb W504.



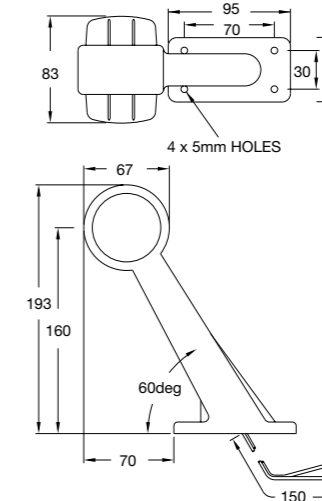
427 END OUTLINE MARKER BULB LAMP

Front + rear. Lens uncoloured + red.

427.200.LB
12V OR 24V

Spare Parts

- 10051.01233 Lens Uncoloured.
- 10044.01233 Lens Red.
- 12V Bulb L207.
- 24V Bulb L149.



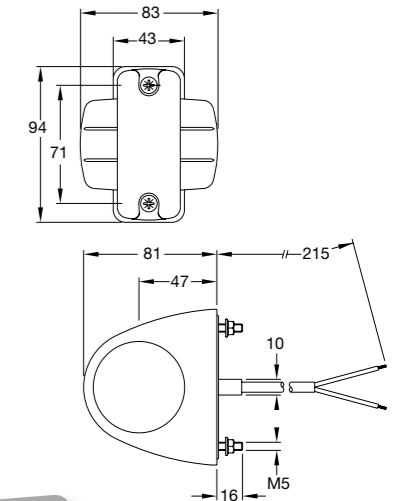
428 END OUTLINE MARKER BULB LAMP

Front + rear. Lens uncoloured + red.

428.104
12V OR 24V

Spare Parts

- 10051.01233 Lens Uncoloured.
- 10044.01233 Lens Red.
- 13524.07 Bulbholder Assembly
- 12V Bulb L207.
- 24V Bulb L149.



For more detailed information or advice on any Britax product please call our **Technical Services Department.**

End Outline Marker Lamps

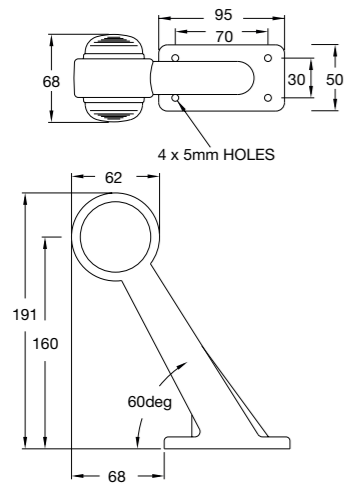
429 END OUTLINE MARKER BULB LAMP

Front + rear. Lens uncoloured + red.

429.00.LB
12V OR 24V

Spare Parts

10251.03 Lens Uncoloured.
10251.04 Lens Red.
12V Bulb L207
24V Bulb L149



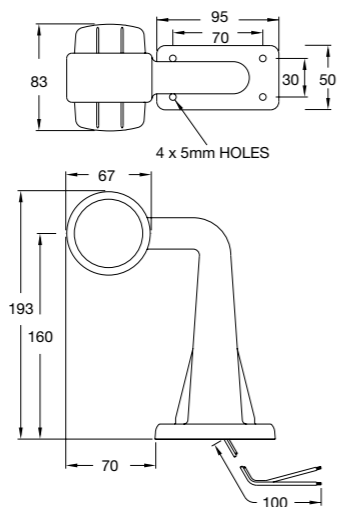
427 END OUTLINE MARKER BULB LAMP

Front + rear. Lens uncoloured + red.

427.300.LB
12V OR 24V

Spare Parts

10051.01233 Lens Uncoloured.
10044.01233 Lens Red.
12V Bulb L207.
24V Bulb L149.



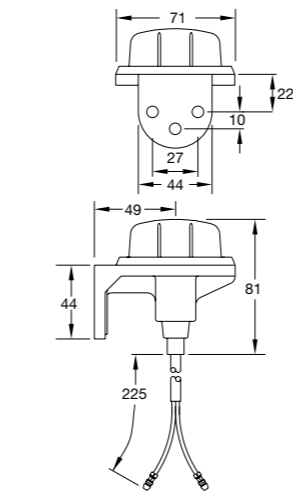
430/431 END OUTLINE MARKER BULB LAMP

Front or Rear. Lens uncoloured or red.
Front - uncoloured. Rear - red.

430.00 - Front
431.00 - Rear
12V

Spare Parts

10047.7262 Lens Uncoloured.
10046.01262 Lens Red.
12V Bulb L209 (Double Contact).
24V Bulb L150 (Double Contact).



End Outline Marker Lamps

429 END OUTLINE MARKER BULB LAMP

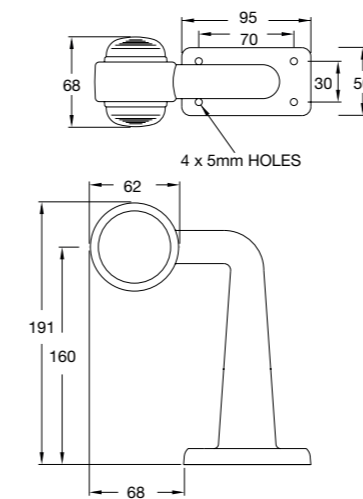
Front + Rear. Lens uncoloured + red.

429.600.LB

Supplied in kit form less cable.

Spare Parts

10251.03 Lens Uncoloured.
10251.04 Lens Red.
13235.00.10 Bulbholder (Pack Of 10).
12V Bulb L207.
24V Bulb L149.



429 END OUTLINE MARKER BULB LAMP

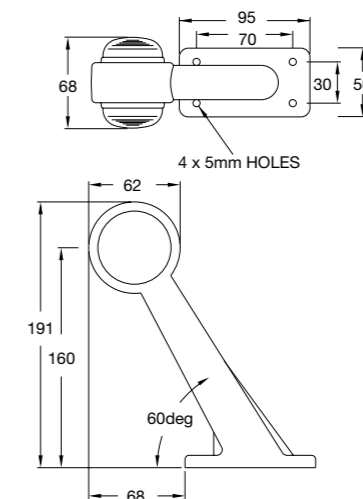
Front + Rear. Lens uncoloured + red.

429.500.LB

Supplied in kit form less cable.

Spare Parts

10251.03 Lens Uncoloured.
10251.04 Lens Red.
13235.00.10 Bulbholder (Pack Of 10).
12V Bulb L207.
24V Bulb L149.



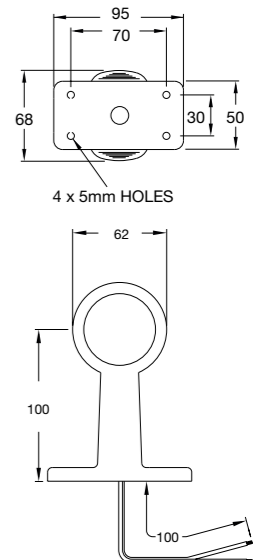
429 END OUTLINE MARKER BULB LAMP

Front + Rear. Lens uncoloured + red.

429.200.LB

Spare Parts

10251.03 Lens Uncoloured.
10251.04 Lens Red.
12V Bulb L207.
24V Bulb L149.



End Outline Marker Lamps

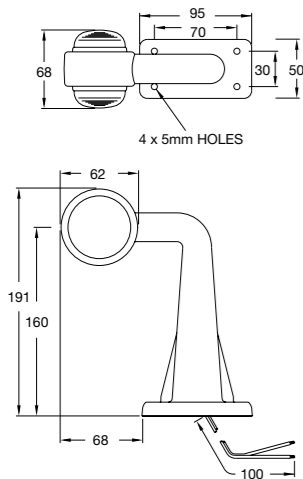
429 END OUTLINE MARKER BULB LAMP

Front + rear. Lens uncoloured + red.

429.100.LB

Spare Parts

- 10251.03 Lens Uncoloured.
- 10251.04 Lens Red.
- 12V Bulb L207.
- 24V Bulb L149.



433 END OUTLINE MARKER BULB LAMP

Front + Rear. Lens uncoloured + red.

433.00.LB

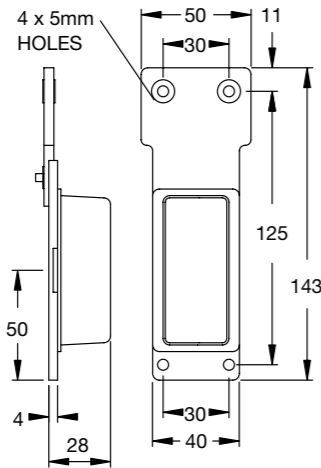
For vertical mounting only.

Spare Parts

- 12V Bulb F239.
- 24V Bulb F242.



Other functions in this style available.



433 END OUTLINE MARKER BULB LAMP

Front + Rear. Lens uncoloured + red.

433.01.LB

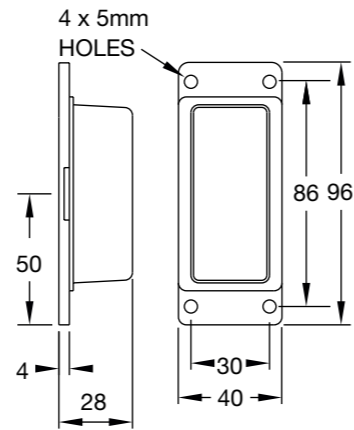
For vertical mounting only.

Spare Parts

- 12V Bulb F239.
- 24V Bulb F242.



Other functions in this style available.



Direction Indicator Lamps

434 END OUTLINE MARKER BULB LAMP

Front + Rear. Lens uncoloured + red.

434.00.LB

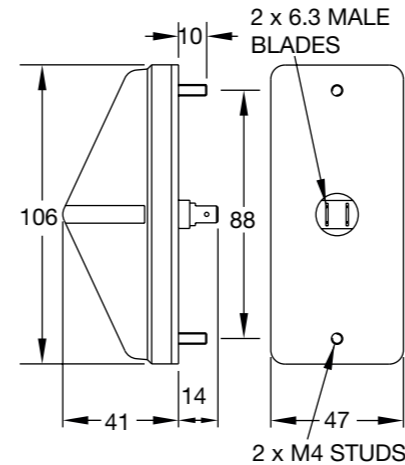
For horizontal mounting only. Direct replacement for Renault Trucks.

Spare Parts

- 18100.00 Bulbholder.
- 12V Bulb L233.
- 24V Bulb L249.



Other functions in this style available.



L11 DIRECTION INDICATOR BULB LAMP

Front or rear. Lens amber.

L11.01.LB

For vertical or horizontal mounting.

Spare Parts

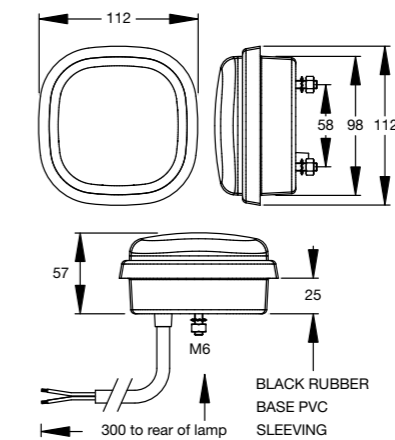
- 12508.02 Lens Amber.
- 13253.00 Bulbholder.
- 12V Bulb L382.
- 24V Bulb L241.



Other functions in this style available.



CAT 1 & 2A



L15 DIRECTION INDICATOR BULB LAMP

Front or rear.

Lens amber L15.01

Lens neutral density L15.101
12V OR 24V

Spare Parts

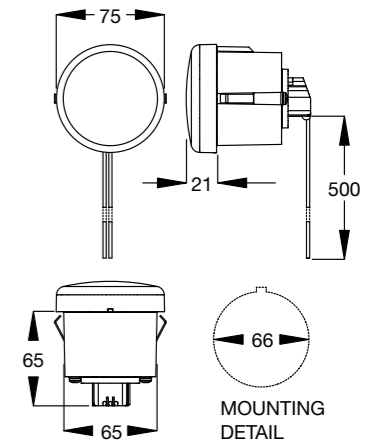
- 13585.00 Bulbholder.
- 12V Bulb L382.
- 24V Bulb L241.
- Clip fit into panel of thickness 3.5±1mm



Other functions in this style available.



CAT 1 & 2A



Direction Indicator Lamps

433 DIRECTION INDICATOR BULB LAMP

Supplementary side. Lens amber.

433.02.LB

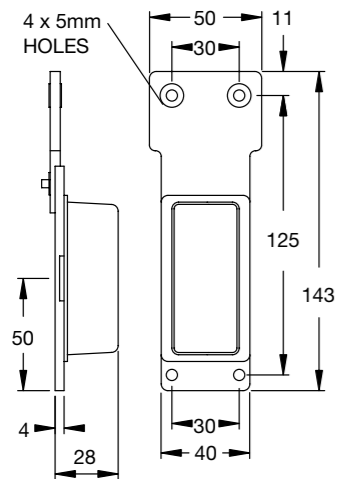
For vertical mounting only

Spare Parts

12V Bulb F239.
24V Bulb F242.



Other functions in this style available.



434 DIRECTION INDICATOR BULB LAMP

Supplementary side. Lens amber.

434.01.LB

For horizontal mounting only.

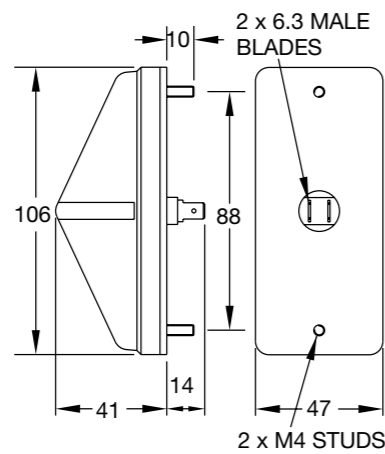
Direct replacement for Renault Trucks.

Spare Parts

18100.00 Bulbholder
12V Bulb L233.
24V Bulb L249.



Other functions in this style available.



641/640 DIRECTION INDICATOR BULB LAMP

Front + Rear direction indicator. Lens amber.

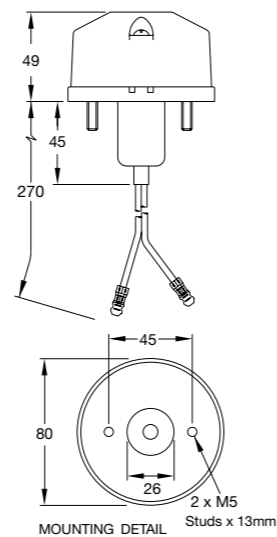
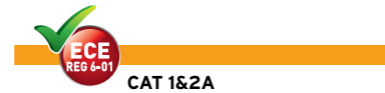
FRONT 641.00.LB REAR 640.00.LB

Spare Parts

10100.02 Lens Front Amber.
10100.01 Lens Rear Amber.
12V Bulb L335.
24V Bulb L346.



Other functions in this style available.



Direction Indicator Lamps

813 DIRECTION INDICATOR BULB LAMP

Supplementary side. Lens amber. Base white.

813.00.LB 12V

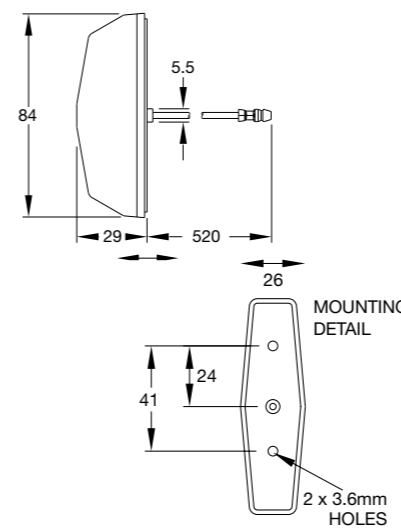
For horizontal mounting only.

Spare Parts

10006.6306 Lens Amber.
12V Bulb F239.
24V Bulb F242.



Other functions in this style available.



816 DIRECTION INDICATOR BULB LAMP

Front/Rear. Lens amber

816.00.LB

Insulated return version

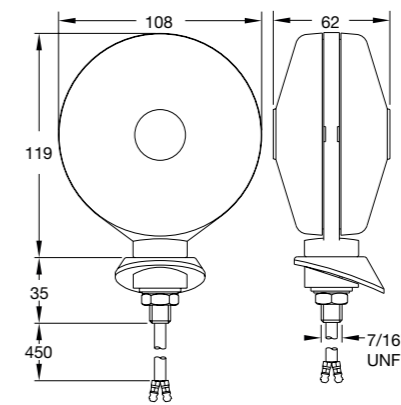
816.01

Spare Parts

10110.00 Lens Amber Front.
10110.01 Lens Amber Rear.
12V Bulb L382.
24V Bulb L241.



Other functions in this style available.



823 DIRECTION INDICATOR BULB LAMP

Supplementary side. Lens amber.

823.01.LB

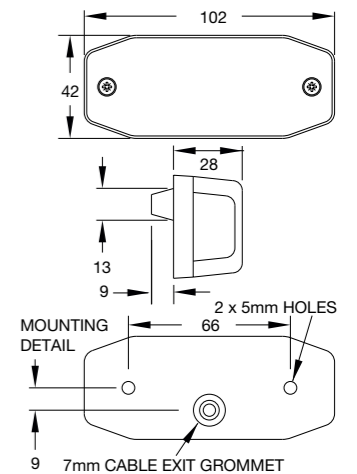
For horizontal mounting only

Spare Parts

10412.02 Lens Amber.
8011.00 Gasket External.
12V Bulb F239.
24V Bulb F242.



Other functions in this style available.



Rear Position Lamps

883 DIRECTION INDICATOR BULB LAMP

Supplementary side. Lens amber.

883.00.LB
12V

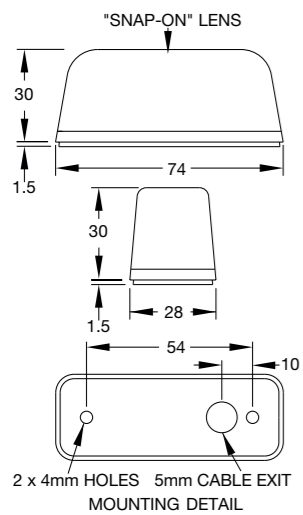
Suitable for horizontal or vertical mounting.

Spare Parts

10430.01 Lens Amber.
12V Bulb W501.



Other functions in this style available.



449 REAR POSITION BULB LAMP

Rear. Lens red.

449.04.LB

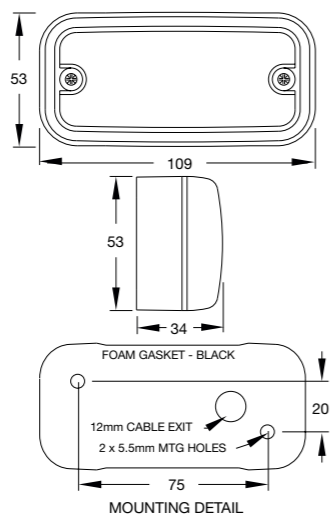
Suitable for horizontal or vertical mounting.

Spare Parts

10468.00 Lens Red.
12V Bulb L233.
24V Bulb L249.



Other functions in this style available.



614 REAR POSITION BULB LAMP

Rear. Lens red.

614.00.LB

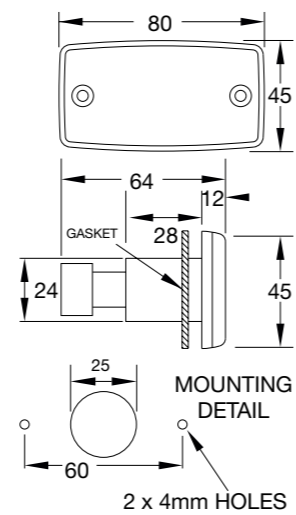
Suitable for horizontal or vertical mounting.

Spare Parts

1323.00 Bulb Holder + Seal.
12261.00 Vertical Flat Bracket.
12261.01 90° Vertical Bracket.
15281.00 Gasket.
12V Bulb W502.
24V Bulb W504.



Other functions in this style available.



Rear Position Lamps

815 REAR POSITION BULB LAMP

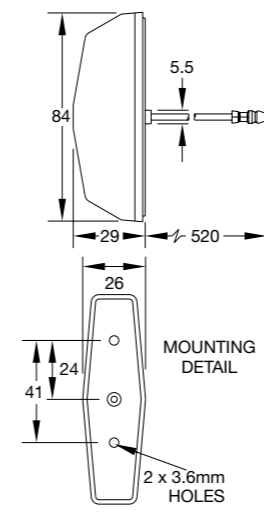
Rear. Lens red.

815.01.LB

Suitable for horizontal or vertical mounting.
Spare Parts
10054 Lens Red.
12V Bulb F239.
24V Bulb F242.



Other functions in this style available.



824 REAR POSITION BULB LAMP

Rear (for recessed mounting only). Lens red.

824.01.LB
12V

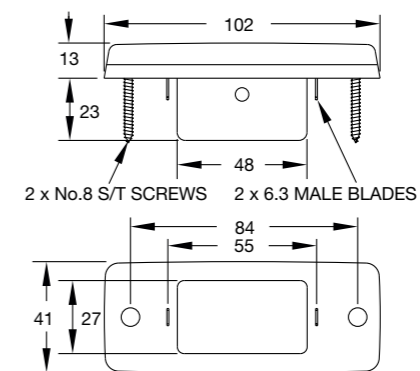
Suitable for horizontal or vertical mounting as fitted to CNH.

Spare Parts

10413.00 Lens Red.
12V Bulb F239.
24V Bulb F242



Other functions in this style available.



825 REAR POSITION BULB LAMP

Rear. Lens red.

825.01.LB

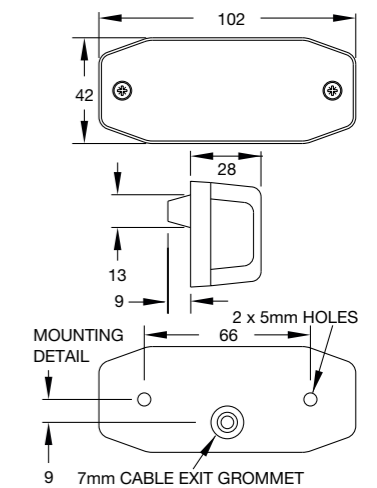
Suitable for horizontal or vertical mounting.

Spare Parts

10412.00 Lens Red.
8011.00 Gasket External.
12V Bulb F239.
24V Bulb F242



Other functions in this style available.



Rear Position Lamps

882 REAR POSITION BULB LAMP

Rear lens red.

882.00
12V

Suitable for horizontal or vertical mounting

Spare Parts

10430.03 Lens Red.

638 REAR POSITION/ STOP BULB LAMP

Rear lens red.

638.00.LB

Spare Parts

10102.01 Lens Red.
12V Bulb L380.
24V Bulb L334.

L15 REAR POSITION/ STOP BULB LAMP

L15.02 Rear Position Red.
L15.03 Stop/Rear position Red.
L15.103 Stop/Rear position Neutral Density.

L15 RANGE
12V OR 24V

Clip fit into panel of thickness 3-5±1mm

Spare Parts

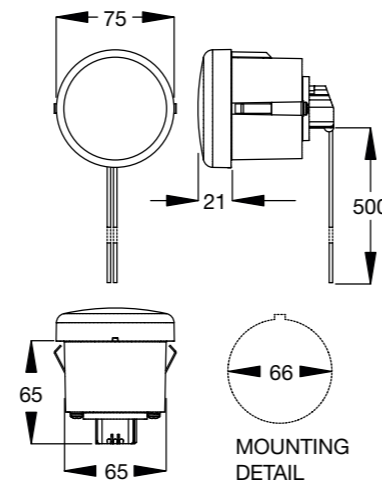
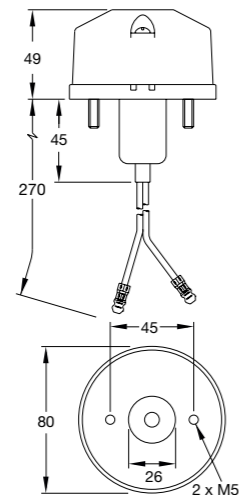
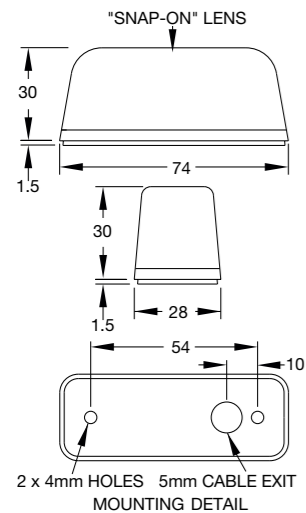
13585.02 Bulbholder Rear Position.
13585.01 Bulbholder Stop/Rear Position.
13585.00 Bulbholder Stop.
12V Bulb Rear Position L207.
24V Bulb Rear Position L149.
12V Bulb Stop/Tail L380.
24V Bulb Stop/Tail L334.
12V Bulb Stop L382.
24V Bulb Stop L241.



Other functions in this style available.

Other functions in this style available.

Other functions in this style available.



Rear Fog Lamps

740 REAR BULB FOG LAMP

Rear Fog. Lens red.

740.00.LB

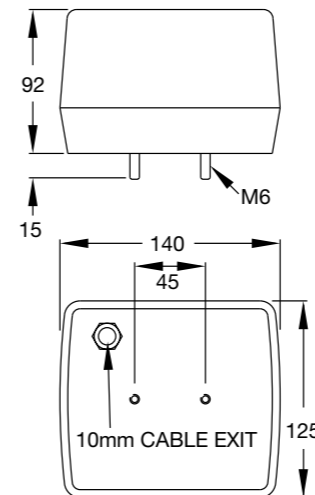
For horizontal mounting only.
As fitted to Renault and Scania.

Spare Parts

10270.00 Lens Red.
12V Bulb L382.
24V Bulb L241.



Other functions in this style available.



738 REAR BULB FOG LAMP

Rear fog. Lens red.

738.00 Rear Fog with mounting bracket.
738.00.NB Rear Fog without mounting bracket.

738.01 Rear Fog with mounting bracket with cables 350mm long.
738.01.NB Rear Fog without mounting brackets with cables 350mm long.

738.00.LB+12V
738.00.NB.12V
738.01.NB.12V

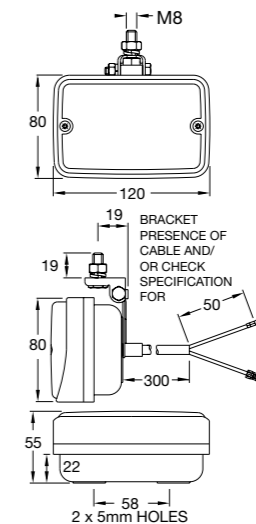
For horizontal mounting only.
.NB versions mounting details: Two holes on horizontal plane 58 crs Threaded M5 x 6.5 deep.

Spare Parts

10254.00 Lens Red.
12V Bulb L382.
24V Bulb L241.



Other functions in this style available.



L11 REAR FOG BULB LAMP

Rear fog. Lens red.

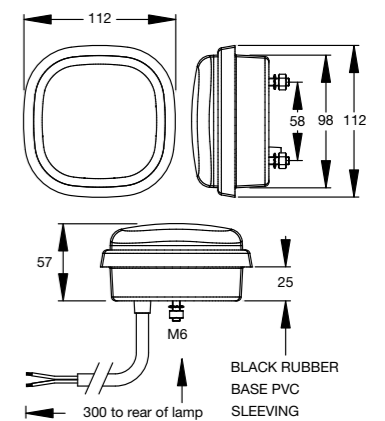
L11.06.LB

Spare Parts

10512.00 Lens Red.
13253.00 Bulbholder.
12V Bulb L382.
24V Bulb L241.



Other functions in this style available.



Rear Reverse Lamps

742 REVERSING BULB LAMP

Reverse. Lens uncoloured

742.00.LB

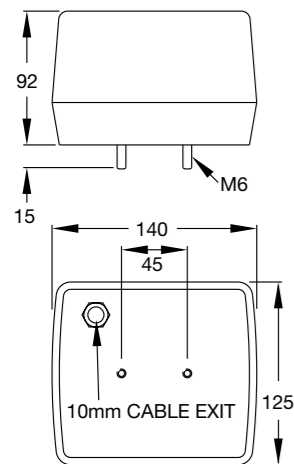
For horizontal mounting only.
As fitted to Renault and Scania.

Spare Parts

10270.01 Lens Uncoloured.
12V Bulb L382.
24V Bulb L241.



Other functions in this style available.



739 REVERSING BULB LAMP

Reverse. Lens uncoloured with mounting bracket.

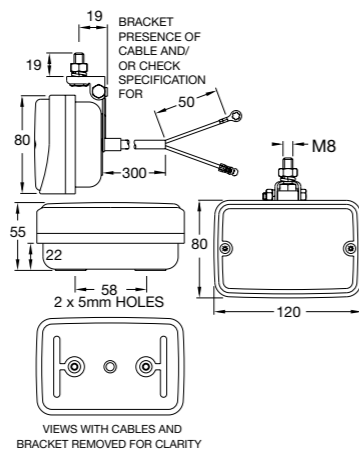
739.00
12V OR 24V

Spare Parts

10255 Lens Uncoloured.
12V Bulb L382.
24V Bulb L241.



Other functions in this style available.



L11 REVERSING BULB LAMP

Rear. Lens uncoloured.

L11.05
12V OR 24V

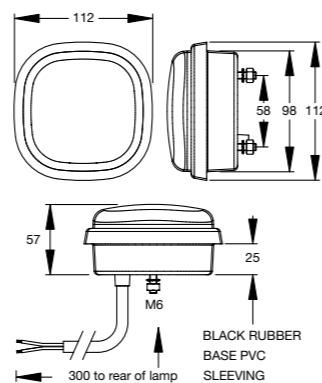
IP67

Spare Parts

12508.04 Lens Uncoloured.
13253.00 Bulbholder.
12V Bulb L382.
24V Bulb L241.



Other functions in this style available.



Rear Combination Lamps

9300 REAR BULB COMBINATION LAMP

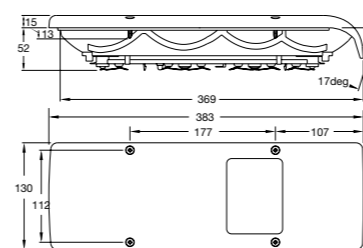
Position rear, stop, fog, direction indicator. reverse. Lens neutral density.

9300.00
12V only

For use on caravans/trailers equipped with 12n and 12s plugs.

Spare Parts

12V Bulbs 2 x L382. 1 x L335. 1 x L566.



LO3 REAR BULB COMBINATION LAMP

Red/amber/uncoloured.

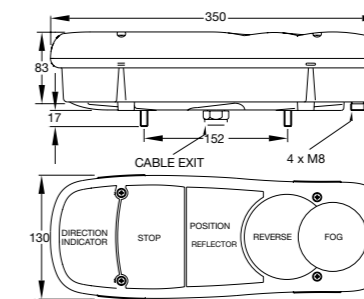
Position (side), stop, reverse, direction indicator, fog and reverse.
LO3.01 LH or RH with AMP connector fitted + 12 volt bulbs. Vertical mounting as supplied.
LO3.02 LH with gland cable exit.
LO3.03 RH with gland cable exit. Horizontal mounting as supplied.
LO3.06 LH or RH with AMP connector fitted + 12V bulbs. Horizontal mounting as supplied.

LO3 series
12V OR 24V

Suitable for horizontal or vertical mounting (check lamp detail). As fitted to DAF, Renault, Nissan, Fruehauf Trailers, Manitou.

Spare Parts

10001.00 Lens Red/Amber/Uncoloured.
12V Bulbs 4 x L382 2 x L245.
24V Bulbs 4 x L241 2 x L246.



L12 REAR BULB COMBINATION LAMP

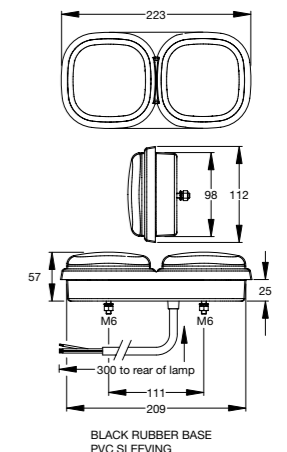
Red/amber/uncoloured.
L12.00.LB Front position + direction indicator.
L12.01 stop/rear position + direction indicator.
L12.02.LB stop/rear position/reflex + direction indicator.
L12.05.LB & 12V Reverse + fog.

L12 series
12V OR 24V

For horizontal or vertical mounting.

Spare Parts

12508.05 Lens Front Position.
12508.02 Lens Front/Rear Di.
12508.01 Lens Stop/Rear Position.
12508.06 Lens Stop/Rear Position/Reflex.
12508.04 Lens Reverse.
10512.00 Lens Fog.
12307.00 Parabolic Reflector Fog.
13253.00 Bulbholder.
13253.01 Bulbholder - Stop/Rear Position Lamp Only.
Bulbs 12V L207 Front Position (Side).
24V L149 Front Position (Side).
12V L382 Direction Indicator, Rear Fog, Reverse.
24V L241 Direction Indicator, Rear Fog, Reverse.
12V L380 Stop/Rear Position.
24V L334 Stop/Rear Position.



Rear Combination Lamps

L13 REAR BULB COMBINATION LAMP

Red/amber/uncoloured.
 L13.00 stop/rear position + direction indicator + reverse.
 L13.01 stop/rear position + direction indicator + fog.
 L13.02 stop/rear position/reflex + direction indicator + reverse.
 L13.03 stop/rear position/reflex + direction indicator + fog.

L13 SERIES 12V OR 24V

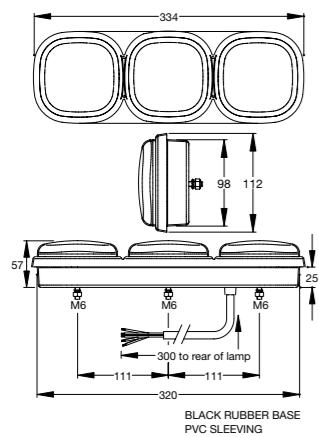
For horizontal or vertical mounting. For LED versions see page 38. IP67 rated.

Spare Parts

- 12508.05 Lens Front Position.
- 12508.02 Lens Front/Rear Di.
- 12508.01 Lens Stop/Rear Position.
- 12508.06 Lens Stop/Rear Position/Reflex.
- 12508.04 Lens Reverse.
- 10512.00 Lens Fog.
- 12307.00 Parabolic Reflector Fog.
- 13253.00 Bulbholder.
- 13253.01 Bulbholder - Stop/Rear Position Lamp Only.
- Bulbs** 12V L382 Direction Indicator, Rear Fog, Reverse.
- 24V L241 Direction Indicator, Rear Fog, Reverse.
- 12V L380 Stop/ Rear Position.
- 24V L334 Stop/Rear Position.



Other functions in this style available.



L01 REAR COMBINATION BULB LAMP

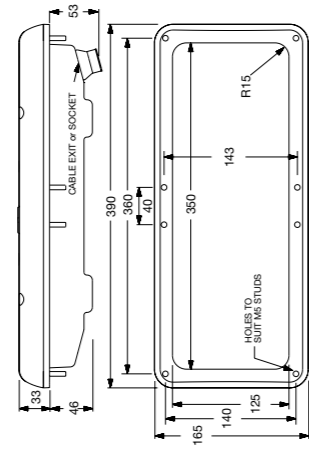
L01.00 rear position, stop, direction indicator, reverse, rear fog + reflex reflector. Top entry socket.
 L01.01 As .00 with M5 mounting bolts.
 L01.02 As .00 but with top entry cables 500mm long.

L01 series 24V

For horizontal or vertical mounting. For LED version see page 42

Spare Parts

- 18542.00 Polycarbonate Lens.
- 15296.00 Lens Gasket.
- 959.00 Socket Connection Kit.
- 12V Bulbs 4 X L382. 4 X L207.
- 24V Bulbs 4 X L290. 4 X L248.
- 15252.00 Gasket (Base To Vehicle).



9002/9003 REAR COMBINATION BULB LAMP

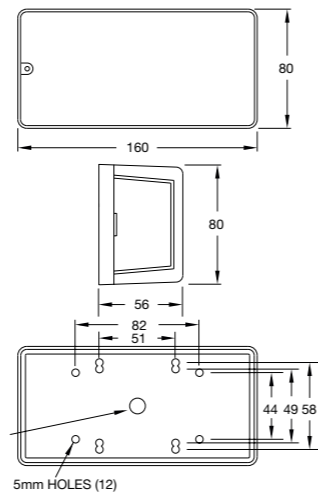
Amber/red/uncoloured.
 9002.50 Rear position, stop, direction indicator + registration plate.
 9003.50 As 9002.50 but without registration plate function. Insulated return.

9002/9003 12V OR 24V

9002.50 for horizontal mounting only.
 9003.50 for horizontal or vertical mounting.

Spare Parts

- 10351.00 Lens Red/Amber/Uncoloured (9002.50).
- 10351.01 Lens Red/Amber (9003.50).
- 12V Bulbs L382, L380.
- 24V Bulbs L241, L334.



Rear Combination Lamps

9059 REAR COMBINATION BULB LAMP

Red/amber/rear position, stop, direction indicator and reflex reflector. 43° angle for mudguard mounting

9059.00.LB Right hand 9059.01.LB Left hand 12V

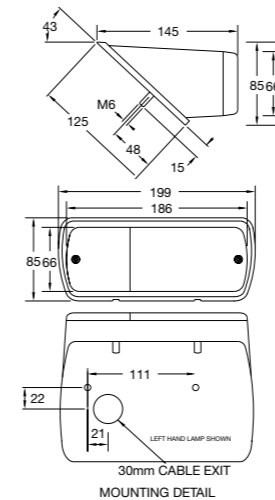
For horizontal mounting only.

Spare Parts

- 10457.00 Lens Amber/Red.
- 12V Bulbs 1 x L382. 1 x L380.
- 24V Bulbs 1 x L241. 1 x L334.



Other functions in this style available.



9088/9089 REAR COMBINATION BULB LAMP

9088.00 rear position, stop, direction indicator, + registration plate lamp. Lens amber/red/uncoloured.
 9089.00 without registration plate function. Lens amber/red.

9088.00/9089.00 12V only

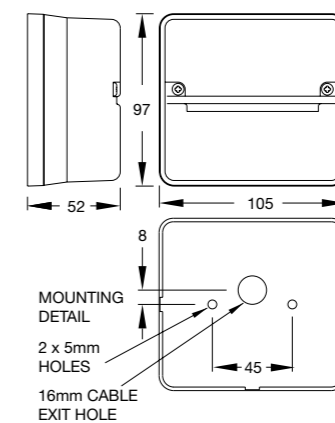
For horizontal or vertical mounting.

Spare Parts

- 10365.00 Lens Amber/Red/Uncoloured.
- 10366.00 Lens Amber/Red.
- 12V Bulb 1 x L380. 1 x L382.



Other functions in this style available.



9020 REAR COMBINATION BULB LAMP

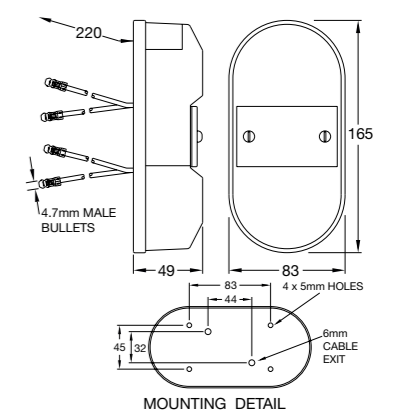
9020.00 rear position, stop, direction indicator, registration plate + reflex reflector. Lens amber/red/uncoloured.

9020.00 12V

For horizontal or vertical mounting.

Spare Parts

- 10103 Lens Amber/Red/Uncoloured And Reflex.
- 10139.00 Reflector Reflex.
- 12V Bulbs 1 x L380 1 x L382.
- 24V Bulbs 1 x L334 1 x 241.



Registration Plate Lamps

9008 REAR COMBINATION BULB LAMP

Rear position, stop and direction Indicator. Lens amber/red.

9008.00
12V OR 24V

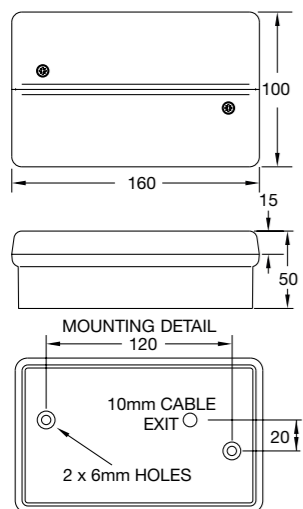
For horizontal mounting.

Spare Parts

10400.00 Lens Amber/Red.
12V Bulbs 1 x L380 1 x L382.
24V Bulbs 1 x L334 1 x L241.



Other functions in this style available.



9004 REAR COMBINATION BULB LAMP

Rear position, Stop, direction Indicator + reflex reflector. Lens amber/red.

9004.00
12V OR 24V

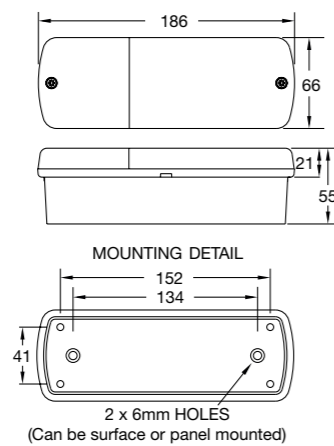
Insulated return. Note: Some applications will require to have 'Knock outs' removed. For horizontal or vertical mounting.

Spare Parts

10457.00 Lens Amber/Red.
12V Bulbs 1 x L380 1 x L382.
24V Bulbs 1 x L334 1 x L241.



Other functions in this style available.



867 REAR REGISTRATION PLATE BULB LAMP

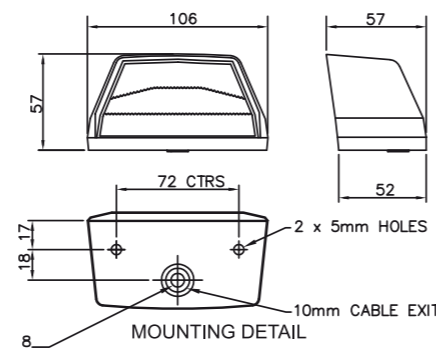
867.00 Uncoloured.
867.50 as .00 but insulated return.
12V

867
12V OR 24V

Suitable for long plate (520mm x 120mm) 2 Lamps required. and square plate (340mm x 240mm).

Spare Parts

10391.00 Lens Uncoloured.
12152.00 Cover Black.
12V Bulb L245.
24V Bulb L246.



Interior Lamps

868 REAR REGISTRATION PLATE BULB LAMP

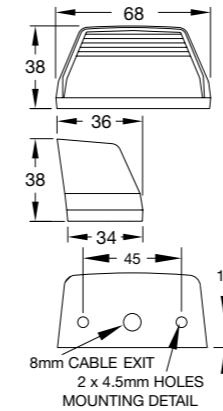
868.00 Uncoloured.
868.50 as .00 but insulated return.

868
12V

Suitable for long plate (520mm x 120mm) 2 Lamps required. and square plate (340mm x 240mm).

Spare Parts

10371.10 Lens Uncoloured.
12139.01 Cover Black.
13182.00 Plinth With Gasket.
12V Bulb F239.
24V Bulb F242.



895/896 AWNING BULB LAMP

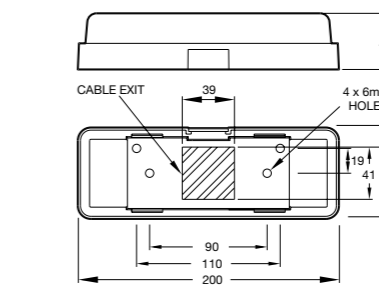
895.00 without switch.
896.00 with 2 way switch.
Lens opal/base white.

895/896
12V OR 24V

21W bulb versions: for use on metal mounting surfaces only. **Supplied with gasket for exterior mounting.**

Spare Parts

10349.00 Lens Opal.
14129 2 Way Switch.
5W Bulbs 12V L207 24V L149.
10W Bulbs 12V L245 24V L246.
21W Bulbs 12V L382 24V L241.



892/893/894 INTERIOR BULB LAMP

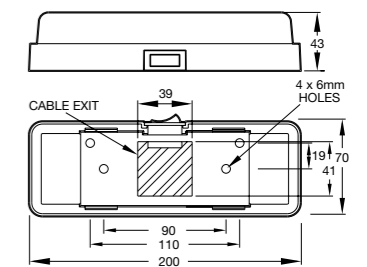
892 Opal. Interior lamp with 2 way switch.
893 Interior lamp with 3 way switch.
894 Interior lamp without switch.
Add suffix for base colours: **.00** White. **.01** Black. **.02** Grey.

892/893/894
12V OR 24V

21w bulb versions: for use on metal mounting surfaces only. Interior mount only.

Spare Parts

14129 2 Way Switch.
14202.00 3 Way Switch.
10349.00 Lens Opal.
5W Bulb 12V L207 24V L149.
10W Bulb 12V L245 24V L246.
21W Bulb 12V L382 24V L241.



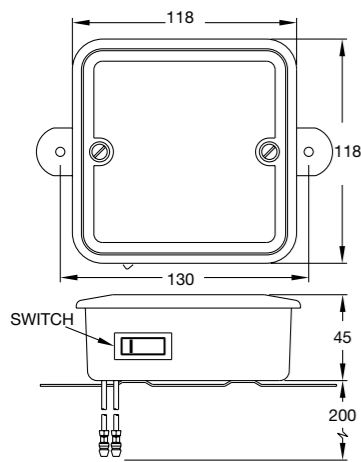
Interior Lamps

707/708 INTERIOR BULB LAMP LENS UNCOLOURED

707.100 with 2 way switch.
708.100 without switch.

707.100/708.100
12V OR 24V

Spare Parts
10330.00 Lens Uncoloured.
14129 2 Way Switch.
12V Bulb L335.
24V Bulb L346.

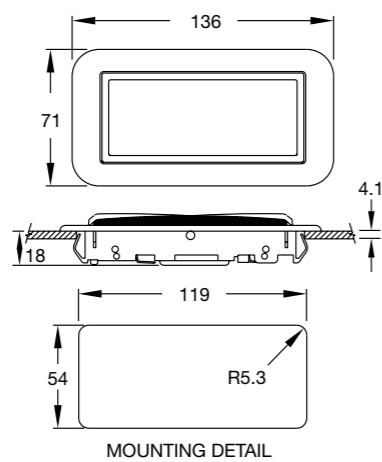


897 INTERIOR BULB LAMP

Uncoloured. Clip fixing. Integral lens/switch. 4.8mm male blade terminals.

897.00
12V OR 24V

Spare Parts
12V F272
24V F274.
12386.00 - Surface Mounting Adaptor



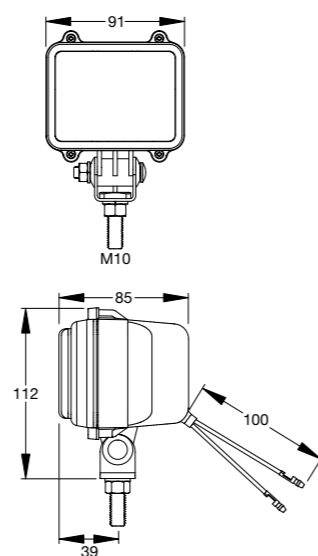
L17 HALOGEN BULB WORK LAMPS

L17.00 Flood.
L17.100 Spot.

L17
12V ONLY

Lamps supplied less bulb.

Spare Parts
18549.00 Lens Assembly, Flood.
18549.01 Lens Assembly, Spot.
12V Bulb H453.
24V Bulb H460.



Work Lamps

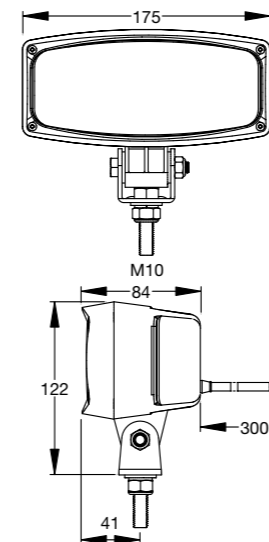
L18 HALOGEN BULB (X2) WORK LAMP

L18.00 Duo power flood.
L18.100 Duo power spot.

L18
12V OR 24V

Lamps supplied less bulb.

Spare Parts
18550.00 Lens Assembly, Flood.
18550.01 Lens Assembly, Spot.
12V Bulbs 2 X H453.
24V Bulbs 2 X H460.



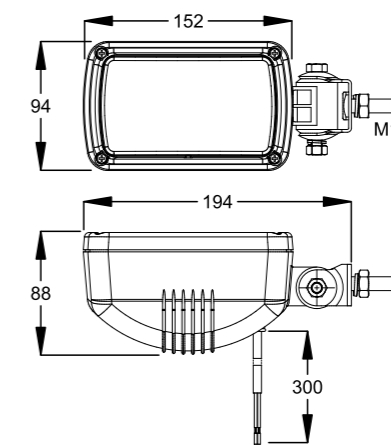
L20 HALOGEN BULB WORK LAMP SIDE MOUNTING

L20.00 Flood.
L20.100 Spot.

L20
12V OR 24V

Lamps supplied less bulb.

Spare Parts
18551.00 Lens Assembly Flood.
18551.01 Lens Assembly Spot.
12V Bulb H453.
24V Bulb H460.



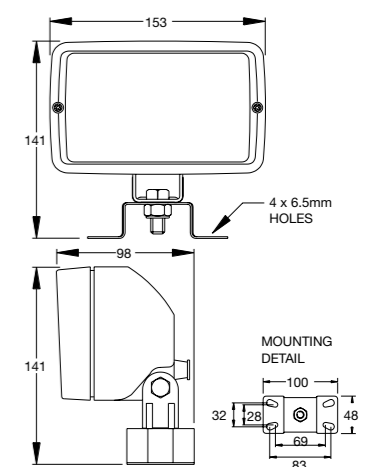
5814 HALOGEN BULB WORK LAMP

Work lamp, plastic body

5814.00
12V OR 24V

Lamps supplied less bulb.

Spare Parts
12V Bulb H453.
24V Bulb H460



Work Lamps

5815 HALOGEN BULB WORK LAMP

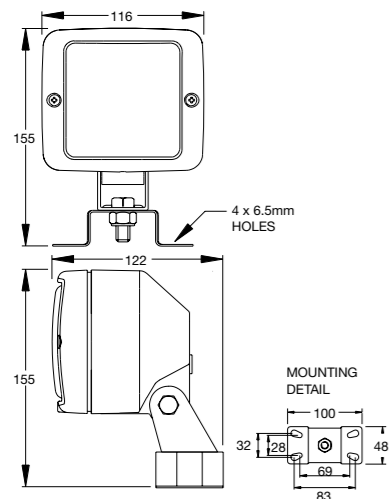
Work lamp, plastic body

5815.00 Cable exit with grommet.
12V OR 24V

5815.08.LB
12V OR 24V 6.3 x 0.8 male blade connectors

Lamps supplied less bulb.

Spare Parts
12V Bulb H453.
24V Bulb H460



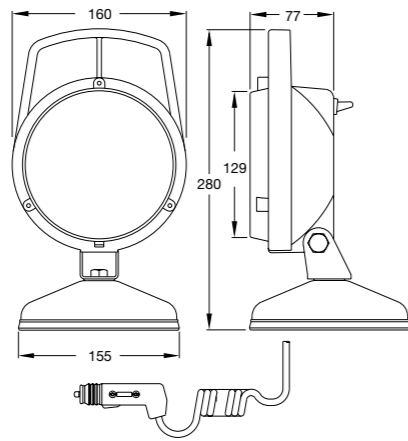
5833 HALOGEN BULB WORK LAMP

Work lamp with magnetic base/switch

5833.02
12V OR 24V

Lamps supplied less bulb.

Spare Parts
10480.00 Lens Assembly.
12253.00 Lens Grill.
13249.00 Magnetic Kit.
12V Bulb H453.
24V Bulb H460.

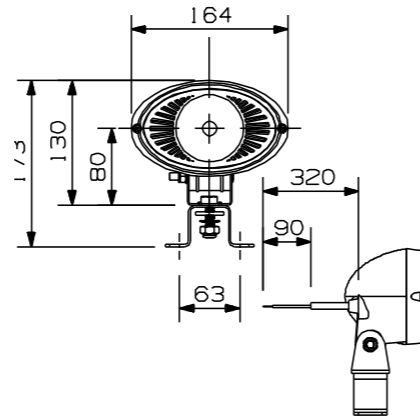


L62 HALOGEN BULB WORK LAMP

L62.00 Flood.

Lamps supplied less bulb.

Spare Parts
12V Bulb H453.
24V Bulb H460



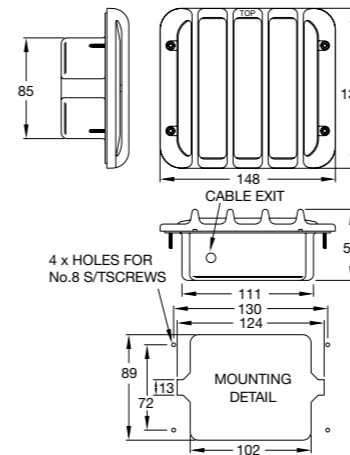
Head Lamps

869 AUXILIARY BULB LAMP

Uncoloured. 'Step lamp' with lens guard.

869.00
12V OR 24V

Spare Parts
10330.00 Lens Uncoloured.
28038 Guard.
16027 Screw Lens Fix.
16173 Screw Mounting.
10W Bulb 12V L245 24V L246.
21W Bulb 12V L382 24V L241.



5811 HEADLAMP/ DIRECTION INDICATOR BULB COMBINATION

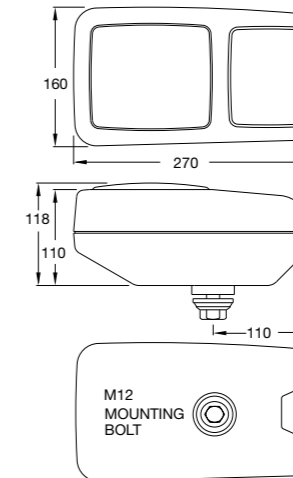
Uncoloured/amber.

5811.102 LH Dip Beam RH Fit.
5811.103 LH Dip Beam LH Fit.

5811.102/5811.103
12V OR 24V

For horizontal mounting only.

Spare Parts
988.00 Reflector/Glass LH Dip.
16373.00 Body/Bezel screw.
12V Bulbs 1 x H472 1 x L233 1 x L382.
24V Bulbs 1 x H475 1 x L249 1 x L241.



Driving Lamps

L28 HALOGEN BULB DRIVING LAMP/LED POSITION LAMP

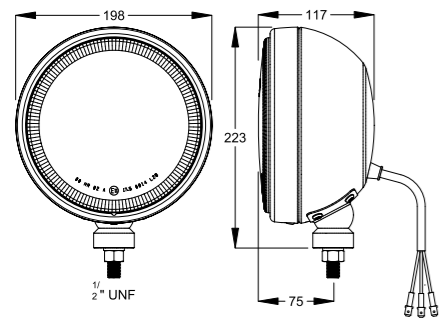
L28.00 Uncoloured lens, LED position lamp. **L28.01** Blue tint lens, LED position lamp.

L28
12V OR 24V

Supplied with bulbs fitted, specify voltage when ordering.

Spare Parts

18552.00 Lens Assembly Uncoloured.
18552.01 Lens Assembly Blue Tint.
13591.00 Led Ring Unit, Dual Voltage 12V Or 24V.
12355.00 Lens Protective Cover.
12V Bulb 1 x H453. 24V bulb 1 x H460.



L27 HALOGEN BULB DRIVING/POSITION LAMP

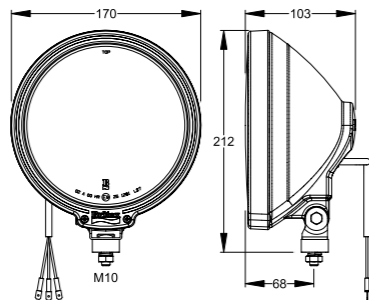
L27.00 Uncoloured lens.
L27.01 Blue tint lens.

L27
12V OR 24V

Supplied with bulbs fitted, specify voltage when ordering.

Spare Parts

18553.00 Lens Assembly Uncoloured.
18553.01 Lens Assembly Blue Tint.
12354.00 Lens Protective Cover.
12V Bulbs 1 x H453, 1 x W501.
24V Bulb 1 x H460, 1 x W507.



L09 HALOGEN BULB DRIVING/POSITION LAMP

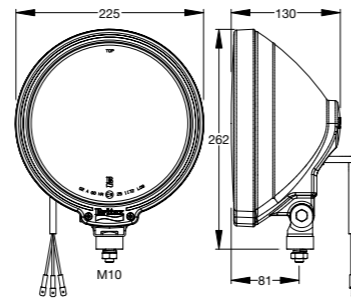
L09.00 Uncoloured lens.
L09.01 Blue tint lens.

L09
12V OR 24V

Supplied with bulbs fitted, specify voltage when ordering.

Spare Parts

18548.00 Lens Assembly Uncoloured.
18548.01 Lens Assembly Blue Tint.
12338.00 Lens Protective Cover.
12V Bulbs 1 x H453, 1 x W501.
24V Bulbs 1 x H460, W507.



LED Front Position Lamps

L15 FRONT POSITION LED LAMP

Uncoloured lens.

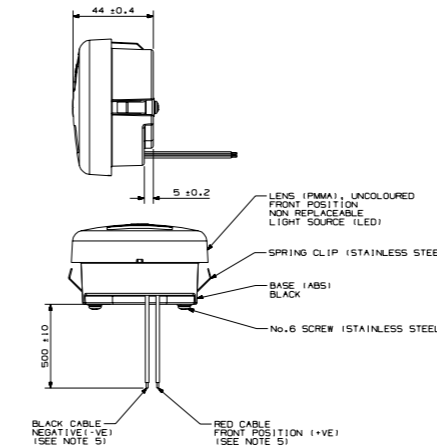
L15.00.LDV

Dual voltage 12V or 24V

Spare Parts

No spares available

Spring clip fit into panel



L46 FRONT POSITION LED LAMP

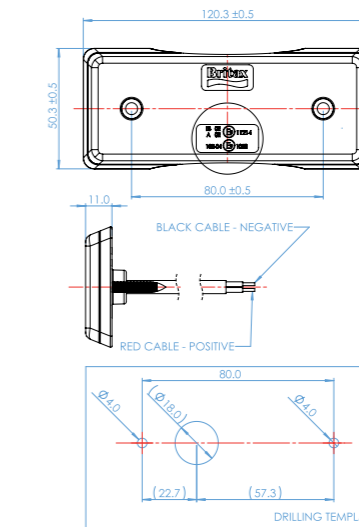
Uncoloured lens.

L46.00.LDV

Dual voltage 12V or 24V

Spare Parts

12414.00 90° Bracket.



L47 FRONT POSITION LED LAMP

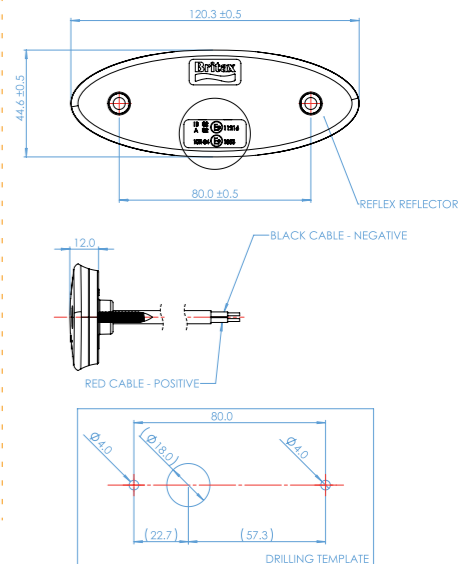
Uncoloured lens.

L47.00.LDV

Dual voltage 12V or 24V

Spare Parts

12414.00 90° Bracket.



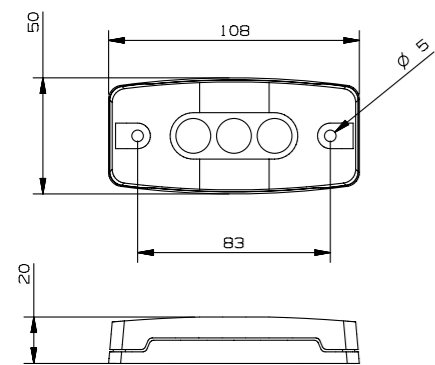
Lamps can be specified with **Dedicated cable lengths and connector combinations.** Call the **Britax** team for guidance

LED Side Marker Lamps

L41 SIDE MARKER LED LAMP WITH REFLEX REFLECTOR

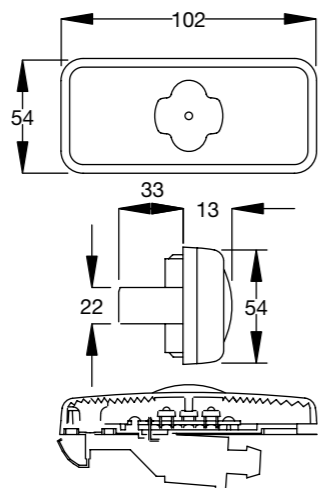
L41.00.LDV amber.
L41.01.LDV red.
L41.02.LDV uncoloured.
 Marker lamps with reflex reflector.
L41 Dual Voltage 12V or 24V

For horizontal mounting only
Spare Parts
 12376.00 90° Bracket



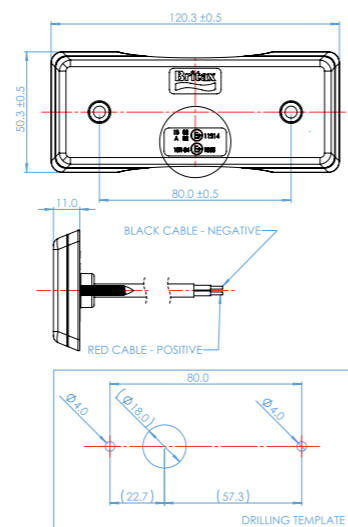
L16 SIDE MARKER LED LAMP WITH REFLEX REFLECTOR

Amber lens.
L16.00. L24V
 For vertical or horizontal mounting.
Spare Parts
 K07.00 Cable/Connector Harness



L46 SIDE MARKER LED LAMP

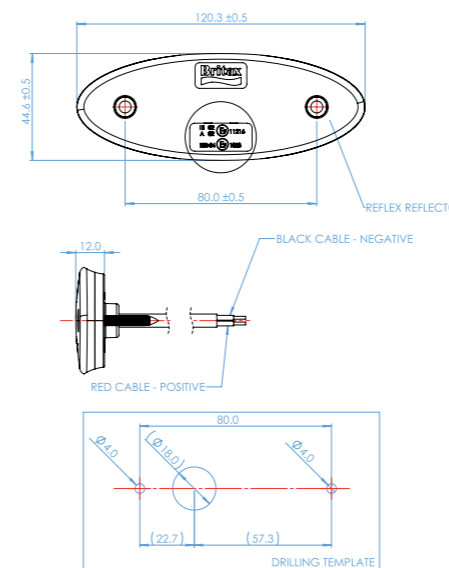
Amber lens.
L46.01.LDV
Dual voltage 12V or 24V
 Horizontal mounting only
Spare Parts
 12414.00 90° Bracket.



LED Side Marker Lamps

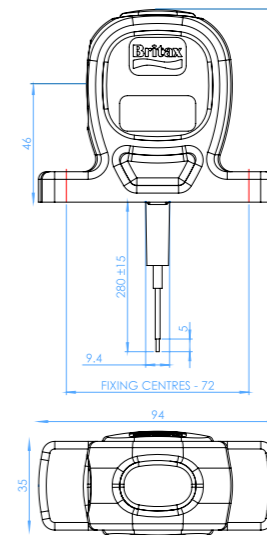
L47 SIDE MARKER LED LAMP

Side marker lens amber
L47.01.LDV
Dual voltage 12V or 24V
 Horizontal mounting only
Spare Parts
 12414.00 90° Bracket.



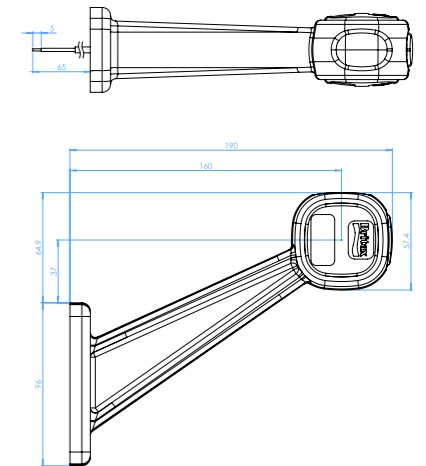
L450 SERIES FRONT/SIDE/REAR OUTLINE LED MARKER LAMP

Outline marker lamp Lens red/amber/un-coloured
L450.100.LMV LH or RH mounting.
L450.110.LMV Vertical mounting RH
L450.120.LMV Vertical mounting LH
 Non-replaceable LED modules



L450 SERIES FRONT/SIDE/REAR OUTLINE STALK LED MARKER LAMP 60°

Outline marker lamp Lens red/amber/un-coloured
L450.200.LMV Horizontal mounting RH
L450.210.LMV Horizontal mounting, LH.
L450.220.LMV Vertical mounting, RH.
L450.230.LMV Vertical mounting, LH
 Viewed from front of vehicle
 Non-replaceable LED modules



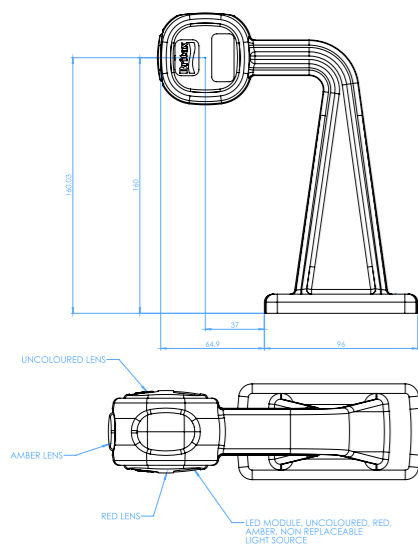
LED Stalk Marker Lamps

L450 SERIES FRONT/SIDE/REAR OUTLINE STALK LED MARKER LAMP 90°

Outline marker lamp Lens red/amber/un-coloured

L450.300.LMV Horizontal mounting, RH.
L450.310.LMV Horizontal mounting, LH.
L450.220.LMV Vertical mounting, RH.
L450.230.LMV Vertical mounting, LH.

Viewed from front of vehicle
 Non-replaceable LED modules



L15 DIRECTION INDICATOR LED LAMP

Front or rear, Lens amber

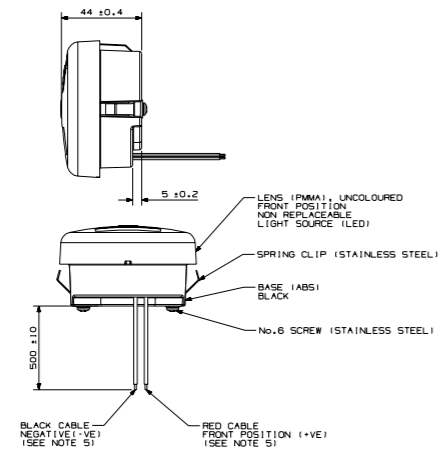
L15.01.LDV

Dual voltage 12V or 24V

Spare Parts

No spares available

Spring clip fit into panel



L46 REAR POSITION LED LAMP

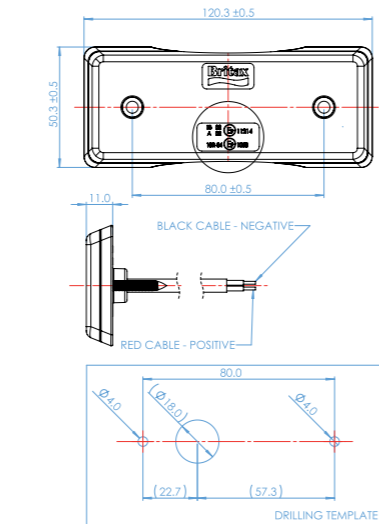
Red lens.

L46.02.LDV

Dual voltage 12V or 24V

Spare Parts

12414.00 90° Bracket.



LED Rear Position Lamps

L47 REAR POSITION LED LAMP

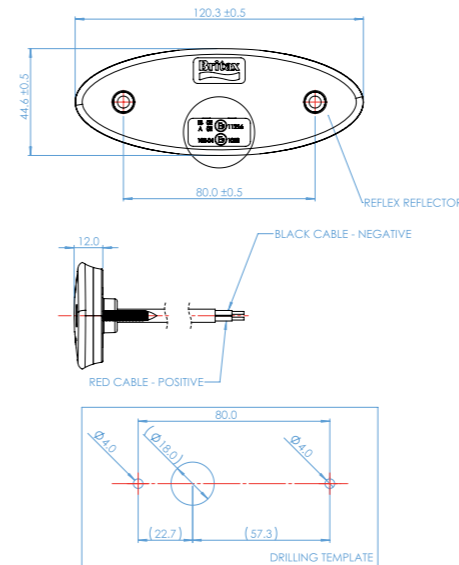
Red lens.

L47.02.LDV

Dual voltage 12V or 24V

Spare Parts

12414.00 90° Bracket.



L15 REAR FOG LED LAMP

Red lens.

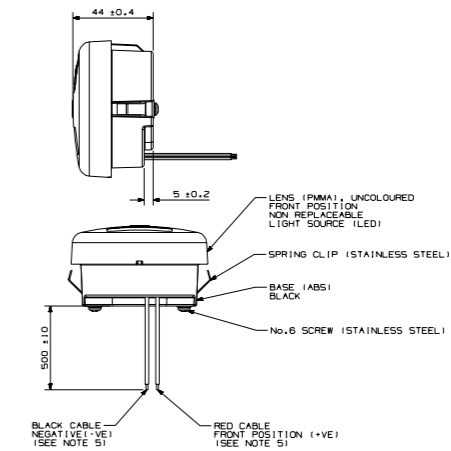
L15.06.LDV

Dual voltage 12V or 24V

Spare Parts

No spares available

Spring clip fit into panel.



L15 REVERSING LED LAMP

Un-coloured lens.

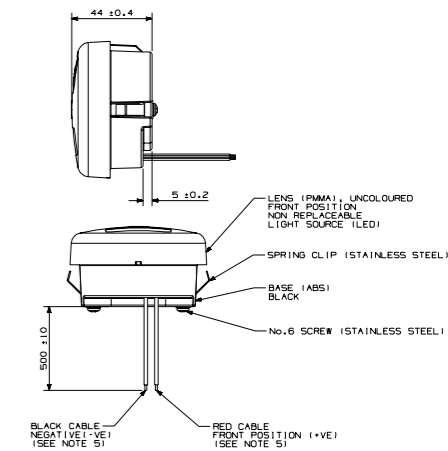
L15.07.LDV

Dual voltage 12V or 24V

Spare Parts

No spares available

Spring clip fit into panel.



LED Rear Combination Lamps

L12 REAR COMBINATION LED LAMP

Rear lens amber/red/un-coloured

L12.01.LDV stop/rear position/direction indicator

L12.05.LDV rear fog/reverse

Dual voltage 12V or 24V

For vertical or horizontal mounting

Spare parts

29388.00 LED light unit direction indicator

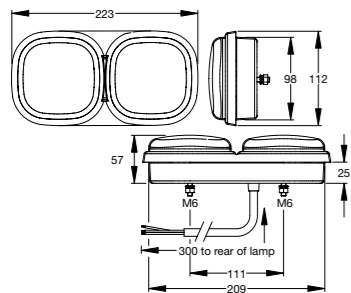
29389.00 LED light unit stop/rear position

29390.00 LED light unit rear fog

29391.00 LED light unit reverse



LED



L12 SERIES REAR COMBINATION LED LAMP

Rear lens amber/red/un-coloured

L12.500.LDV stop/rear position/direction indicator/rear fog/reverse

Dual voltage 12V or 24V

L11 SERIES REAR COMBINATION LED LAMP

Rear lens amber/red/un-coloured

L11.500.LDV stop/rear position/direction indicator/

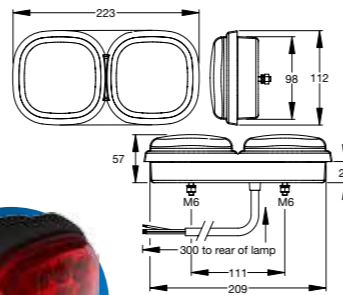
L11.501.LDV rear fog/reverse

Dual voltage 12V or 24V

LED

LED

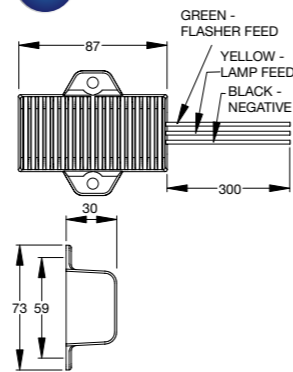
L12.500.LDV



L11.501.LDV



LED



E07 LED SMART LOAD DEVICE

E07.00.12V 12volt.
E07.00.24V 24 volt.

E07.00
12V OR 24V

Specify voltage when ordering. For use with Britax L11, L12, L13, L14, L25 and L78 series LED direction indicator lamps, on vehicles using a conventional flasher unit.

The use of an optional E07 'smart load device' may be required to simulate direction indicator bulb, for the flasher unit to operate correctly.

A 'smart load device' is available to ensure correct operation of LED mandatory direction indicator lamps. Ask our customer service team for details.

LED Rear Combination Lamps

L14 REAR COMBINATION LED LAMPS



LED



L14.10
12V OR 24V specify voltage when ordering.

Red/amber.
L14.10.L12V Stop/Rear Position + Direction Indicator 12V.
L14.10.L24V Stop/Rear Position + Direction Indicator 24V.



LED



L14.11
12V OR 24V specify voltage when ordering.

Red.
L14.11.L12V Rear Fog 12V.
L14.11.L24V Rear Fog 24V.



LED



L14.12
12V OR 24V specify voltage when ordering.

Uncoloured.
L14.12.L12V Reverse 12V.
L14.12.L24V Reverse 24V.



LED



L14.13
12V or 24V specify voltage when ordering.

Red.
L14.13.L12V Rear Position + Stop 12V.
L14.13.L24V Rear Position + Stop 24V.

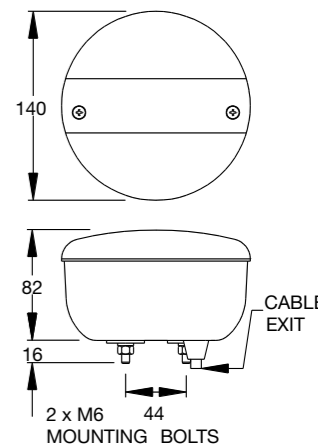


LED



L14.14
12V or 24V specify voltage when ordering.

Amber.
L14.14.L12V Rear Direction Indicator 12V.
L14.14.L24V Rear Direction Indicator 24V.



NEW LED Lamp variants being added. Please contact **Britax** for latest range

LED Rear Combination Lamps

L14.200 SERIES REAR COMBINATION LED LAMPS

L14.200



L14.201



L14.202

L14.203



L14.204

L14.205



L14.206

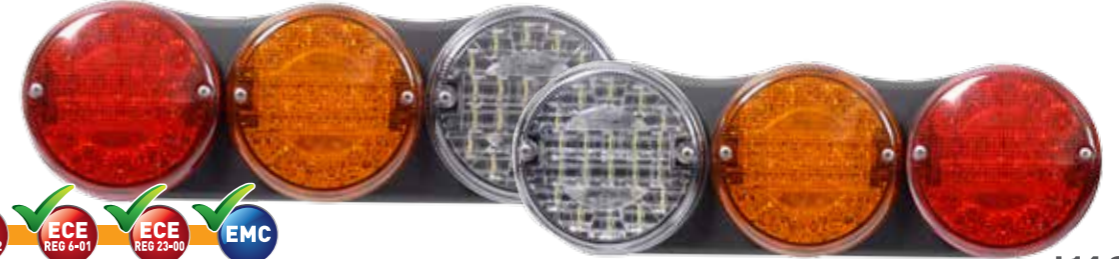
L14.207



L14.208

LED Rear Combination Lamps

L14.209



L14.210

L14.211



L14.212

L14.213



L14.214

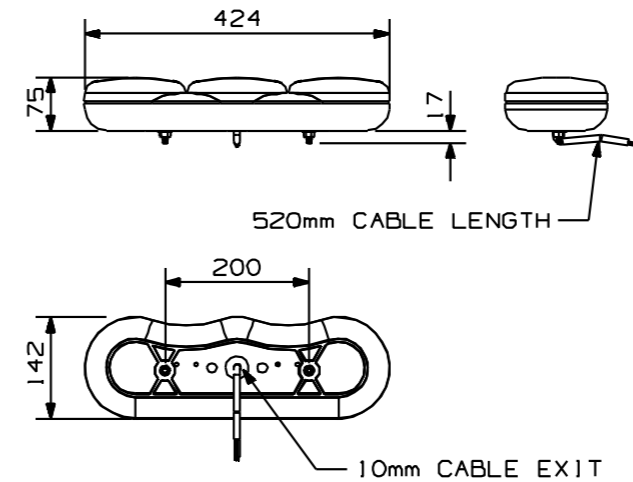
L14.215



L14.216

To all part numbers please add suffix .L12V or .L24V

FOR HORIZONTAL MOUNTING ONLY



PART NO	HAND	FUNCTIONS		
L14.200		Stop/Tail/D.I.	Stop/Tail/D.I.	Stop/Tail/D.I.
L14.201	LEFT	Stop/Tail/D.I.	Reverse	Fog
L14.202	RIGHT	Fog	Reverse	Stop/Tail/D.I.
L14.203	LEFT	Stop/Tail/D.I.	Reflector	Fog
L14.204	RIGHT	Fog	Reflector	Stop/Tail/D.I.
L14.205	LEFT	Stop/Tail/D.I.	Reflector	Reverse
L14.206	RIGHT	Reverse	Reflector	Stop/Tail/D.I.
L14.207	LEFT	Stop/Tail	D.I.	Fog
L14.208	RIGHT	Fog	D.I.	Stop/Tail
L14.209	LEFT	Stop/Tail	D.I.	Reverse
L14.210	RIGHT	Reverse	D.I.	Stop/Tail
L14.211	LEFT	Stop/Tail/D.I.	Stop/Tail/D.I.	Fog
L14.212	RIGHT	Fog	Stop/Tail/D.I.	Stop/Tail/D.I.
L14.213	LEFT	Stop/Tail/D.I.	Stop/Tail/D.I.	Reverse
L14.214	RIGHT	Reverse	Stop/Tail/D.I.	Stop/Tail/D.I.
L14.215	LEFT	Stop/Tail/D.I.	Reflector	Stop/Tail/D.I.
L14.216	RIGHT	Stop/Tail/D.I.	Reflector	Stop/Tail/D.I.

D.I. = Direction Indicators Stop/Tail = Rear position (side)/stop

LED Rear Combination Lamps

L25 REAR COMBINATION LED LAMP

L25.10.L12V or L24V Rear position, stop, direction indicator, fog, incandescent bulb reverse and reflex reflector. Top entry socket.
L25.12.L12V or L24V As .10 but with top entry cables, 500mm long.

L25
12V OR 24V specify voltage

Vertical mounting only
 For bulb version see page 62.

Spare Parts
29290.00 Side/Stop/Di Led Unit 12V.
29290.01 Side/Stop/Di Led Unit 24V.
29291.00 Fog Led Unit 12V.
29291.01 Fog Led Unit 24V.
1352.00 Lens Reverse Uncoloured.
1352.01 Front Bezel Including Reflex Reflectors.
959.00 Socket Connection Kit.
13609.00 Reverse reflector Spare Kit.



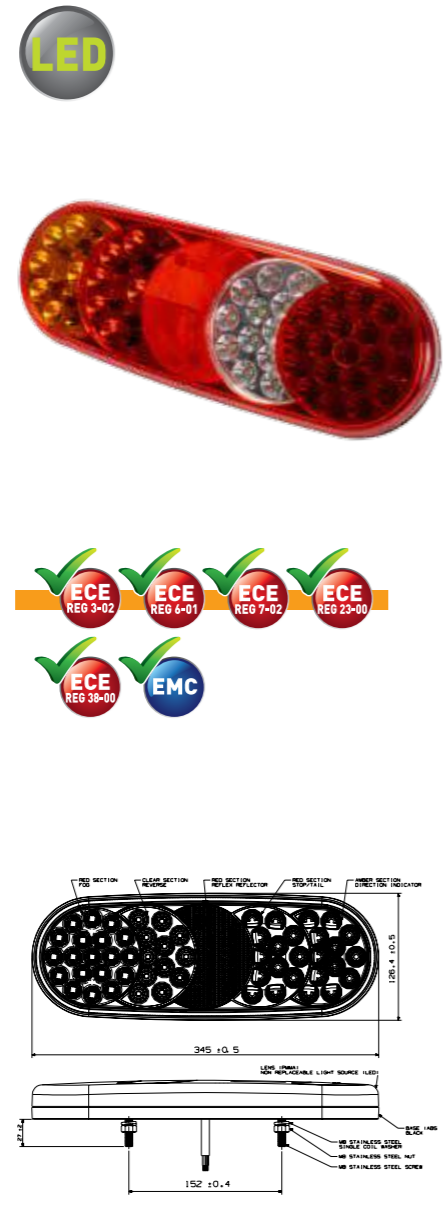
L78 REAR COMBINATION LED LAMP

L78.00.LDV Stop/rear position, reverse, fog, direction indicator and reflex reflector
L78.01.LDV Stop/rear position, reverse, fog, direction indicator and reflex reflector with red side marker lamp.

Dual voltage 12V or 24V

Direct replacement for bulb lamps fitted to: DAF, Renault, Nissan and Manitou

A 'Smart Load' device is available to ensure correct operation of direction indicator function. Part no E07.00.12V /.24V see page 38



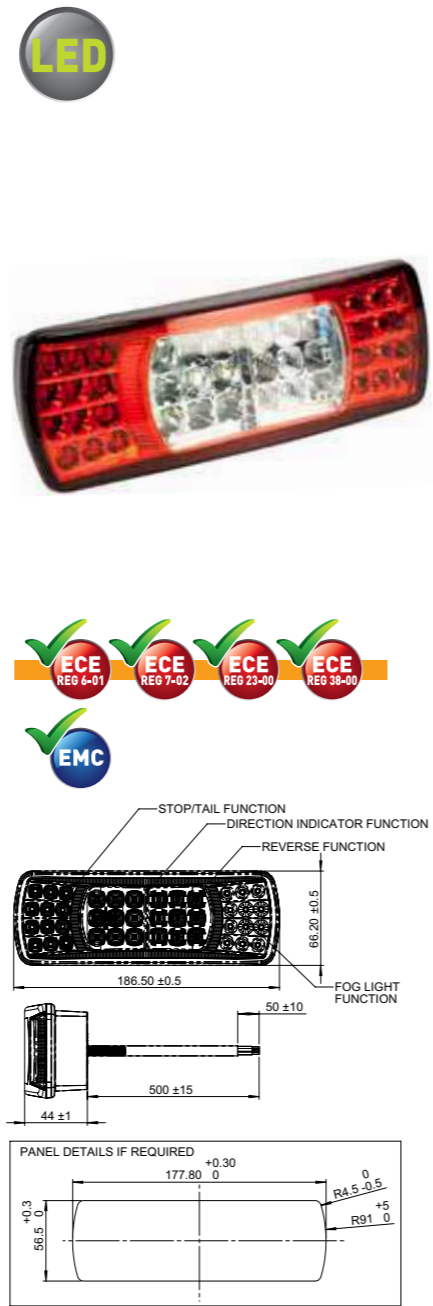
L9004 REAR COMBINATION LED LAMP

L9004.00.LDV stop/rear position/direction indicator/rear fog/reverse.
L9004.10.LDV stop/rear position/direction indicator/rear fog/reverse.

Separate (green) direction indicator cable for wiring via Britax E07 'smart load' device. (Sold separately)

Dual voltage 12V or 24V

Directly replaces Britax 9004 type bulb lamp.



LED Interior Lamps

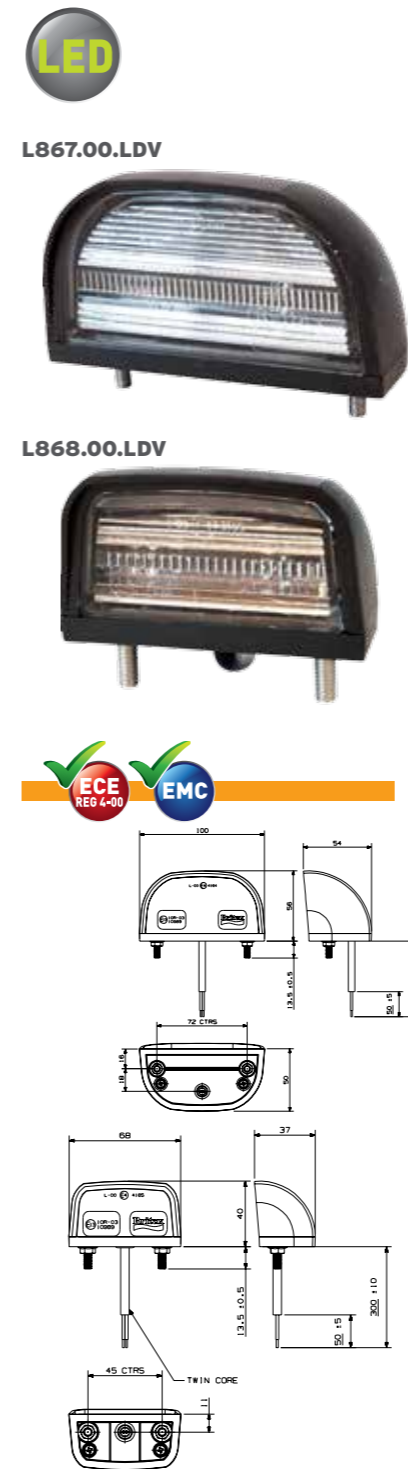
L867 / L868 REAR REGISTRATION PLATE LED LAMP

Uncoloured lens

L867.00.LDV
L868.00.LDV

Dual voltage 12V or 24V

Spare Parts
 No spares available



L897 INTERIOR LED LAMP

Uncoloured lens

L897.00.LDV

Clip fixing integral lens/switch 4.8mm male blade terminals

Spare Parts

12386.00 Surface Mounting Adapter.



L892 INTERIOR LED LAMP

Interior / awning lamp Lens opal Base white

L892.00.LDV 2 way switch
L893.00.LDV 3 way switch
L894.00.LDV no switch

Dual voltage 12V or 24V

Spare Parts

14129.2 2 way switch
 14202.00 3 way switch
 10349.00 Lens opal



LED Work Lamps

L80 SINGLE BOLT FIXING LED WORK LAMP

4 white LED's lens un-coloured

L80.00.LMV

Multi voltage 10-30V

600 lumens

Spare Parts

No spares available



L80 MAGNETIC FIXING LED WORK LAMP

4 white LED's lens un-coloured

L80.02.LMV Magnetic

Multi voltage 10-30V

600 lumens

Spare Parts

No spares available

For use on stationary vehicles only.



L81 SINGLE BOLT FIXING LED WORK LAMP

8 white LED's lens un-coloured

L80.00.LMV

Multi voltage 10-30V

1200 lumens

Spare Parts

No spares available



LED Work Lamps

L82 SINGLE BOLT FIXING LED WORK LAMP

6 white LED's lens un-coloured

L82.00.LMV

Multi voltage 10-30V

1500 lumens

Spare Parts

No spares available



L83 2 BOLT FIXING LED WORK LAMP

12 white LED's lens un-coloured

L83.00.LMV

Adjustable mounting bolts

Multi voltage 10-30V

3000 lumens

Spare Parts

No spares available



L84 2 BOLT FIXING LED WORK LAMP

18 white LED's lens un-coloured

L84.00.LMV

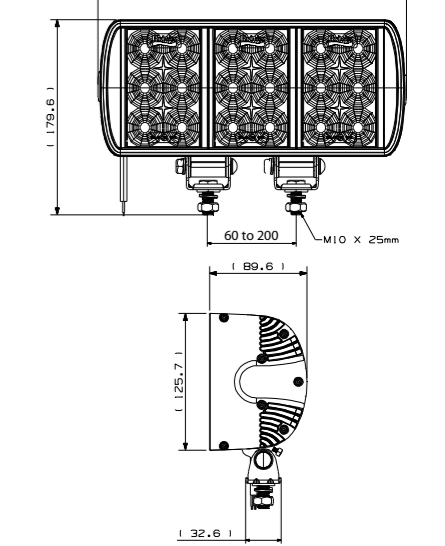
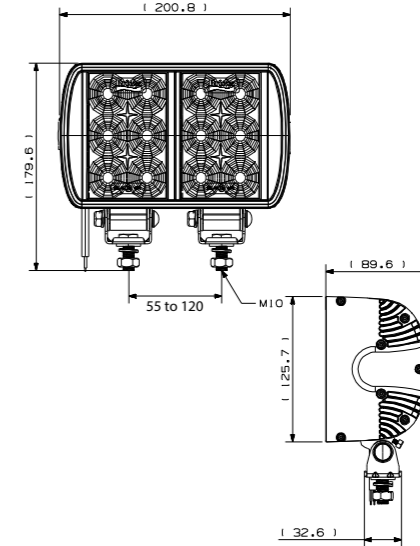
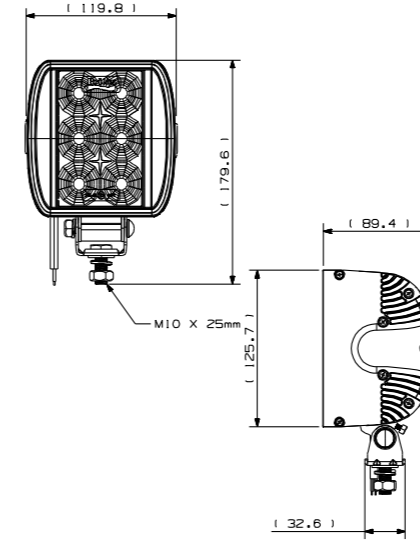
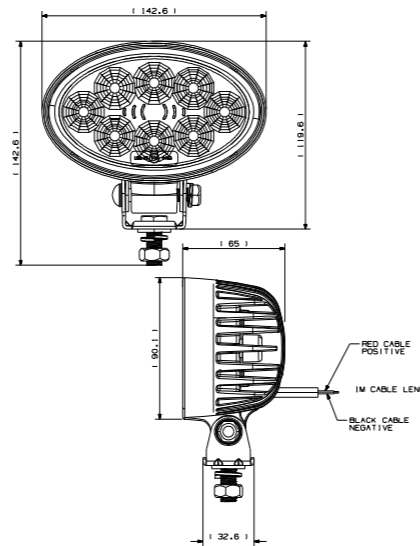
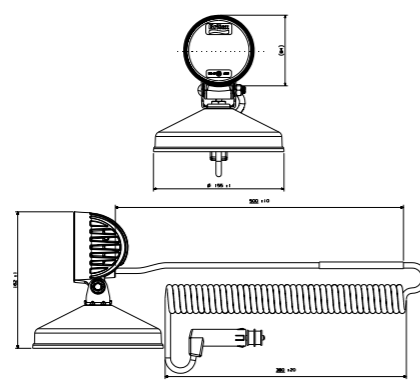
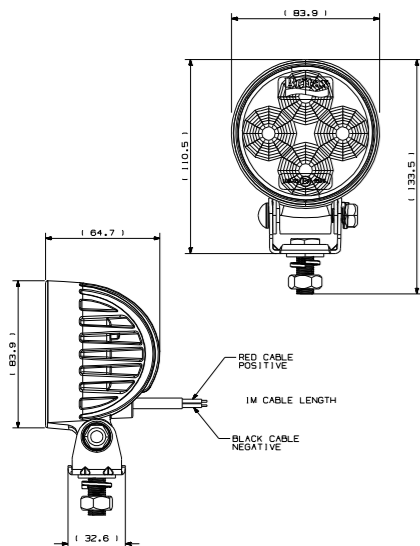
Adjustable mounting bolts

Multi voltage 10-30V

4500 lumens

Spare Parts

No spares available

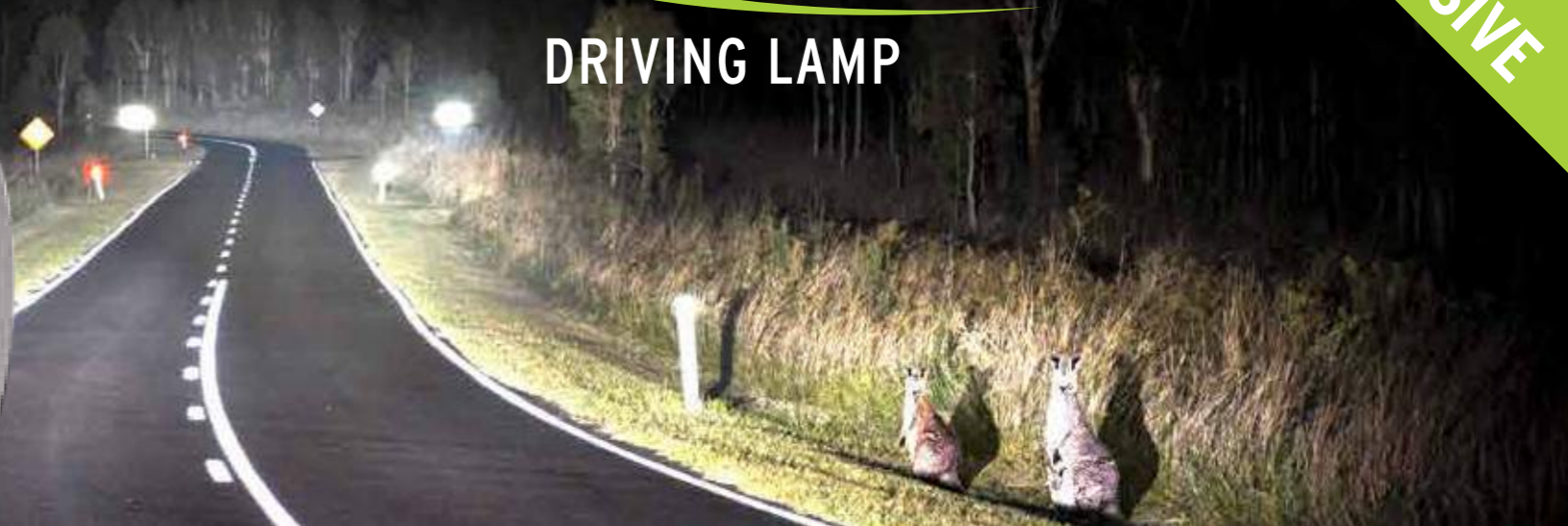


LED Work Lamps

PATH FINDER

DRIVING LAMP

NEW & EXCLUSIVE



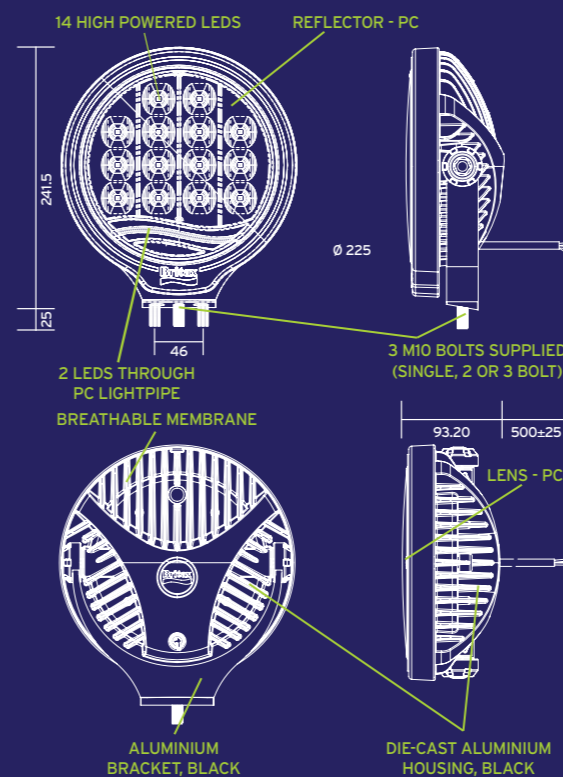
A unique, stylish LED driving lamp for light, medium and heavy commercial vehicles.

KEY FEATURES

- UNIQUE MODERN STYLING COMPLEMENTING NEW VEHICLE DESIGNS
- FRONT POSITION LAMP USES A 'PC LIGHTPIPE' EXCLUSIVE TO BRITAX
- OPERATING VOLTAGE 12V OR 24V
- LAMP COMPLIES TO ECE REGULATION 112- DRIVING BEAM AND ECE REGULATION 7 - FRONT POSITION LAMP
- COMPLIES WITH ECE REGULATION 10.04 EMC
- DRIVING BEAM CURRENT DRAW: 12V - 3.24a / 24v - 1.64a

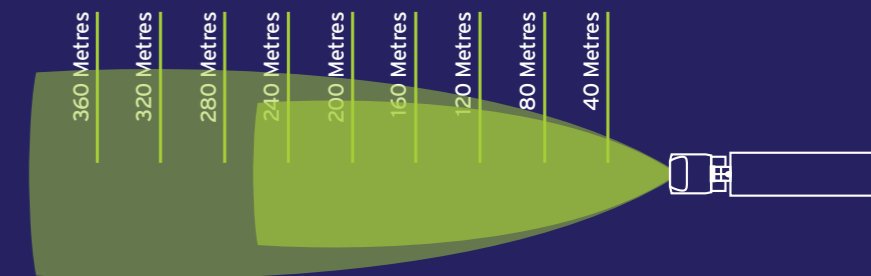
The test programme includes:

SALT SPRAY	Tested for 96 hours
HUMIDITY	Subjected to 90-100% humidity @75°C for 96 hours
WATER INGRESS	Water sprayed for 25 hours
THERMAL SHOCK	Soaked at -40°C for 3.5 hours immediately followed by a soak at 80°C for 4.5 hours x5
PHOTOMETRIC	Tested to meet the statutory requirements
VIBRATION	Simulated whole life test to ensure durability



BEAM PATTERN @ 1 Lux

ILLUMINATION V DISTANCE



Lens optics provide a wide spread of powerful LED light to provide brilliant illumination of the road ahead.

LUX
Lux is a unit of illumination, equal to the illumination produced by luminous flux of one lumen falling perpendicularly on a surface of one metre square.

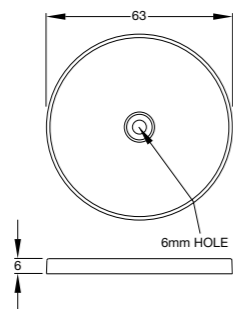
L100.00.LDV
LED DRIVING LAMP



Reflectors

493 REFLEX REFLECTOR

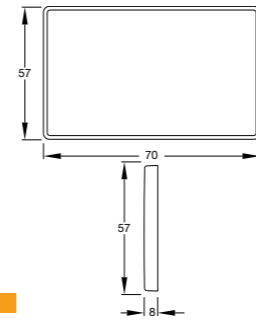
493.00 Red
493.01 Amber
493.02 Uncoloured



10141 REFLEX REFLECTOR

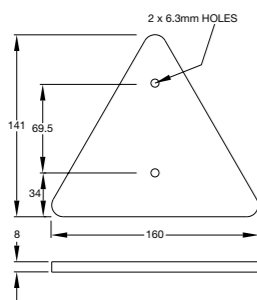
For vertical or horizontal mounting. With adhesive backing.

10141.100 Red
10141.101 Amber
10141.102 Uncoloured



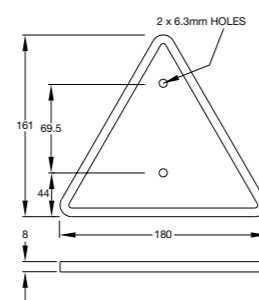
489.75/6 REFLEX REFLECTOR

Red, white edging
489.75
 Red, black edging
489.76



489.77 REFLEX REFLECTOR

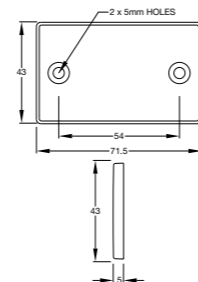
Red with white surround
489.77



10139 REFLEX REFLECTOR

Red / uncoloured. For vertical or horizontal mounting.

10139.00 Red
10139.01 Amber
10139.02 Uncoloured



Index

FRONT POSITION LAMPS

L15.000.....	6
636.000.....	6
764.000.....	6
449.000.....	7
881.000.....	7
821.000.....	7
822.000.....	8
814.000.....	8
L15.....	33
L46.....	33
L47.....	33

FRONT COMBINATION LAMPS

9006.000.....	8
9009.000.....	9
9058.000.....	9
9087.000.....	9

SIDE MARKER LAMPS

449.000.....	10
605.000.....	10
639.000.....	11
L41.....	34
L16.....	34
L46.....	34
L47.....	35

END OUTLINE LAMPS

427.200.....	11
428.104.....	11
429.000.....	12
427.300.....	12
430/431.....	12
429.600.....	13
429.500.....	13
429.200.....	13
429.100.....	14
433.000.....	14
434.000.....	15
L450.100.....	35
L450.200.....	35
L450.300.....	36

DIRECTION INDICATOR LAMPS

L11.....	15
L15.....	15
433.....	16
434.....	16
641/640.....	16
813.....	17
816.....	17
823.....	17
833.....	18
L15.....	36

REAR POSITION LAMPS

449.....	18
614.....	18
815.....	19
824.....	19
825.....	19
882.....	20
638.....	20
L15.....	20
L46.....	37
L47.....	37

REAR FOG LAMPS

740.....	21
738.....	21
L11.....	21
L15.....	37

REAR REVERSE LAMPS

742.....	22
739.....	22
L11.....	22
L15.....	37

REAR COMBINATION LAMPS

9003.....	23
L03.....	23
L12.....	23
L13.....	24
L01.....	24
9002/9003.....	24
9059.....	25
9088/9089.....	25
9020.....	25
9008.....	26
9004.....	26
L12.....	38
L13.....	38
L14.....	39
L14.200.....	40
L14.200.....	41
L25.....	42
L78.....	42
L9004.....	42

REGISTRATION PLATE LAMPS

867.....	26
868.....	27
L867.....	43
L868.....	43

INTERIOR LAMPS

895/896.....	27
892/893/894.....	27

707/708.....	28
897.....	28
869.....	31
L897.....	43
L892.....	43
L900.....	44

WORK LAMPS

L17.....	28
L18.....	29
L20.....	29
5814.....	29
5815.....	30
5833.....	30
L62.....	30
L71.....	45
L74.....	45
L80.....	46
L81.....	46
L82.....	47
L83.....	47
L84.....	47

HEAD LAMPS

5811.....	31
-----------	----

DRIVING LAMPS

L28.....	32
L27.....	32
L09.....	32
L100.....	48

REFLECTORS

493.....	50
489.....	50
10139.....	50
10141.....	50